

# DP2 L 770

VERTICAL WINDLASSES

REV 000A



\*EN - INSTALLATION AND USER'S MANUAL

\*Other languages available by scanning the QR code on the back of this manual or on the label on the product.



## Index

<b>1 - Information about the product</b>	<b>5</b>
1.0 - Model code	5
1.1 - Technical Data	5
<b>2 - Supply and equipment</b>	<b>6</b>
2.0 - Standard supply and material included in the package	6
2.1 - Tools required for installation	6
2.2 - Recommended Quick® accessories not included	6
<b>3 - Introduction</b>	<b>6</b>
3.0 - Important notes	6
3.1 - Precautions	7
3.2- Precautions for the installer	7
<b>4 - Installation</b>	<b>7</b>
4.0 - Installation requirements	7
4.1 - Installation procedures	8
<b>5 - Wiring diagram</b>	<b>9</b>
5.0 - Example of connection DP2 L 770	9
<b>6 - Cautions &amp; Use</b>	<b>10</b>
6.0 - Important cautions	10
6.1 - Clutch use	10
6.2 - Troubleshooting	11
<b>7 - Maintenance</b>	<b>11</b>
<b>8 - Product disposal</b>	<b>11</b>
<b>9 - List of components DP2 L 770</b>	<b>12</b>
<b>10 - Dimensions</b>	<b>13</b>





## 2.0 - Standard supply and material included in the package

- Windlass (top+gearmotor)
- Reversing contactor box for DP2 L 770
- Base gasket
- Lever
- Installation and user's manual, Warranty
- Drilling template

## 2.1 - Tools required for installation

- Drill with bit: Ø 9 mm (23/64")
- Hole saw Ø 58 mm (2" 9/32) and Ø 120 mm (4" 23/32)
- Hex wrench: 10 mm and 13 mm

## 2.2 - Recommended Quick® accessories not included

- Controls for control board (mod. 800)
- Waterproof push-button panel (HRC 1002)
- Foot switch (900)
- Hydraulic-magnetic circuit breaker (WCB)
- Anchor chain counter (CHC 1102M - CHC 1202M)
- Control system via RRC radio (R02 - P02 - H02)

---

## 3 - Introduction

BEFORE USING THE PRODUCT, PLEASE READ THIS USER'S MANUAL CAREFULLY. IF IN DOUBT, PLEASE CONSULT YOUR QUICK® DEALER.

### 3.0 - Important notes

This manual features Warning and/or Caution symbols that are important for safety. Please follow the instructions provided.



**Warning** symbol indicating dangerous situations.



**Caution** symbol to prevent direct or indirect damage to the product.

This manual provides boat manufacturers and nautical equipment installers with instructions on how to assemble the specified Quick® product and operate it correctly.



## 3.1 - Precautions



**Quick® windlasses are designed and manufactured to weigh the anchor.**

- Do not use these products for any other type of operation.
  - Quick® shall not be held liable for direct or indirect damage caused by improper use of the product.
  - The windlass is not designed to support loads generated in particular weather conditions (storm).
  - Operate the product from a position where it is possible to supervise the work area.
  - Always deactivate the windlass when not being used.
  - Make sure that there are no bathers nearby before dropping the anchor.
  - The splice between the rope and the chain must be tightly woven for the rope to slide easily into the gypsy shape.
- For any problem or request, feel free to contact Quick® Technical Service.
- For improved safety, we recommend installing at least two controls to operate the windlass in case one is damaged.
  - We recommend the use of Quick® switch as motor safety device.
  - Secure the chain with a retainer before sailing off.
  - The reversing contactor box must be installed in a position protected from any water entry.
  - After completing the anchorage, secure the chain to fixed points such as chain stopper or bollard.
  - To prevent accidental releases, the anchor must be secured. The windlass must not be used as sole securing device.
  - Isolate the windlass from the electrical system during navigation and secure the rope to a fixed point of the boat.
  - This equipment is not intended for use by people (including children) with reduced physical, sensory or mental capabilities.

## 3.2- Precautions for the installer



**CARRY OUT THE INSTALLATION IN GOOD LIGHTING CONDITIONS.**

It is advisable to wear suitable clothing and personal protective equipment (PPE).

The product is not suitable for installation in potentially explosive environments and/or atmospheres. Installation and subsequent inspection or repair work must only be carried out by qualified personnel.



**CARRY OUT INSTALLATION/MAINTENANCE WORK MAKING SURE THAT THE PRODUCT IS DISCONNECTED FROM THE ELECTRICAL SYSTEM.**

Quick® accepts no responsibility for inadequate connection of users to the electrical system and inadequate safety of the electrical system.



# 4 - Installation

## 4.0 - Installation requirements

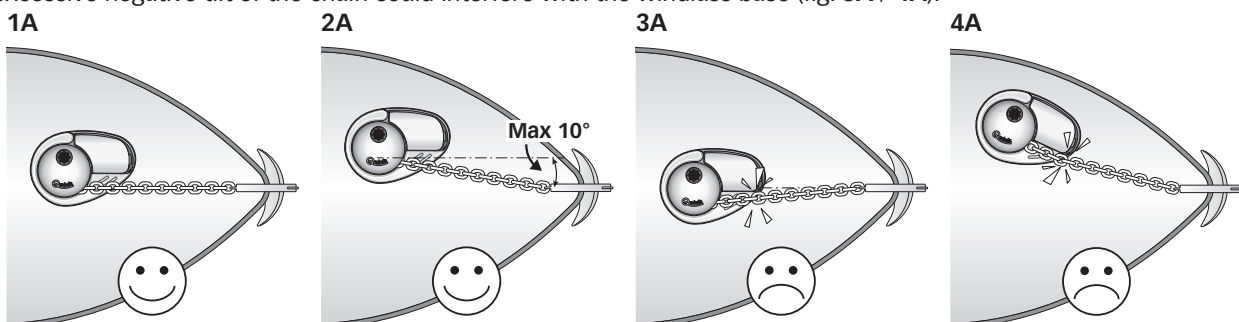
### A ROLLER ALIGNMENT

The windlass must be positioned by aligning the gypsy with the bow roller (fig. 1A / 2A).

Precise alignment of the windlass is essential for the correct operation of the product.

A positive chain tilt of up to 10° is allowed (fig. 2A).

An excessive negative tilt of the chain could interfere with the windlass base (fig. 3A / 4A).

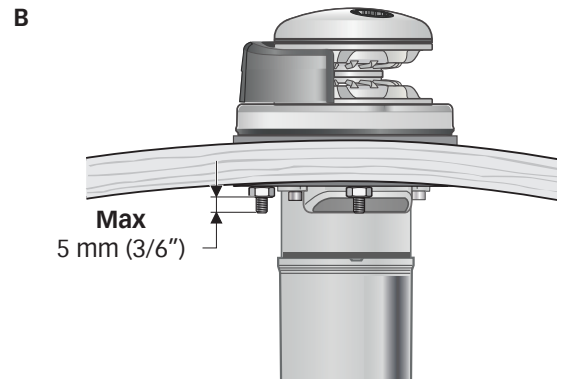


**B DECK LEVEL**

Ensure that the upper and lower surfaces of the deck are as parallel as possible. If this is not the case, compensate the difference appropriately (fig. B).

A lack of parallelism could result in a loss of motor power. The deck thickness must be included among the figures listed in the table.

In case of different thickness, please contact your Quick® dealer.

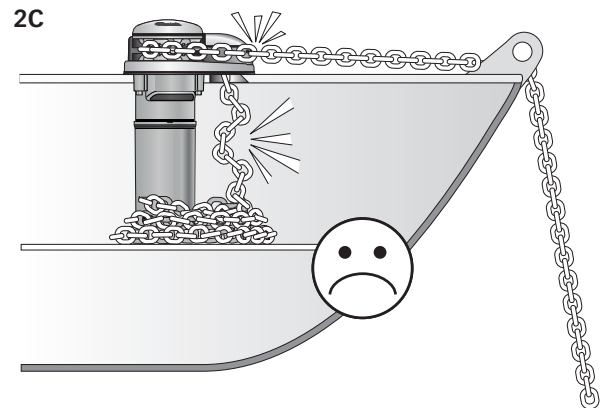
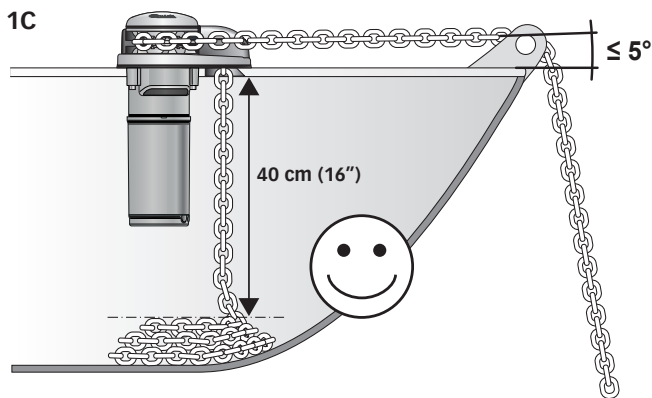
**C PEAK DEPTH AND BOW ROLLER HEIGHT**

There must be no obstacles to the passage of cables, rope and chain under deck (fig. 1C).

Insufficient depth of the peak could cause chain jamming (fig. 2C).

A positive tilt of the chain in relation to the deck level of up to 5° is allowed (fig. 1C).

An excessive negative tilt of the chain could interfere with the windlass base (fig. 2C).

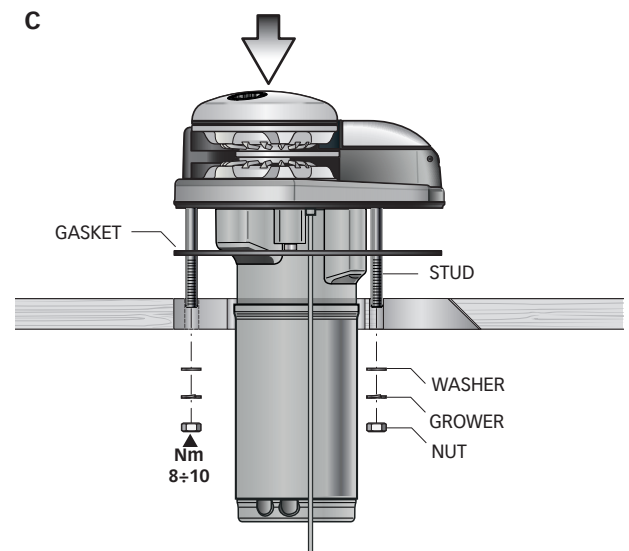
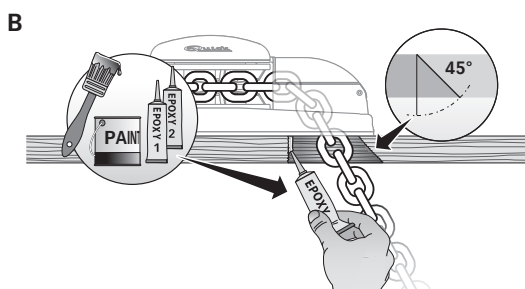
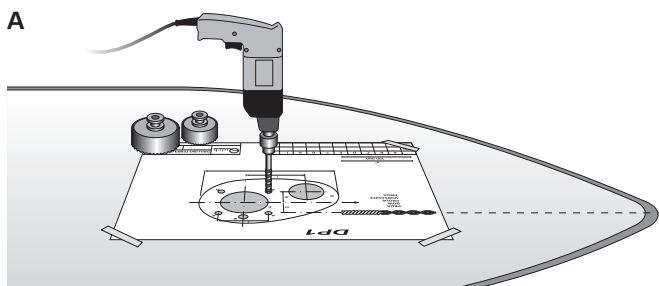
**4.1 - Installation procedures**

**A** Identify the ideal position and drill the holes using the drilling template supplied.

**B** Remove the excess material from the rope/chain passage hole, finish it and smooth it with a specific product (marine paint, epoxy resin or gel) ensuring the free passage of the chain.

**C** Position the upper section inserting the gasket between the deck and the base, and connect it to the lower section inserting the shaft into the gearbox. Fix the windlass by screwing the nuts onto the fixing studs.

Connect the supply cables from the windlass to the reversing contactor unit.

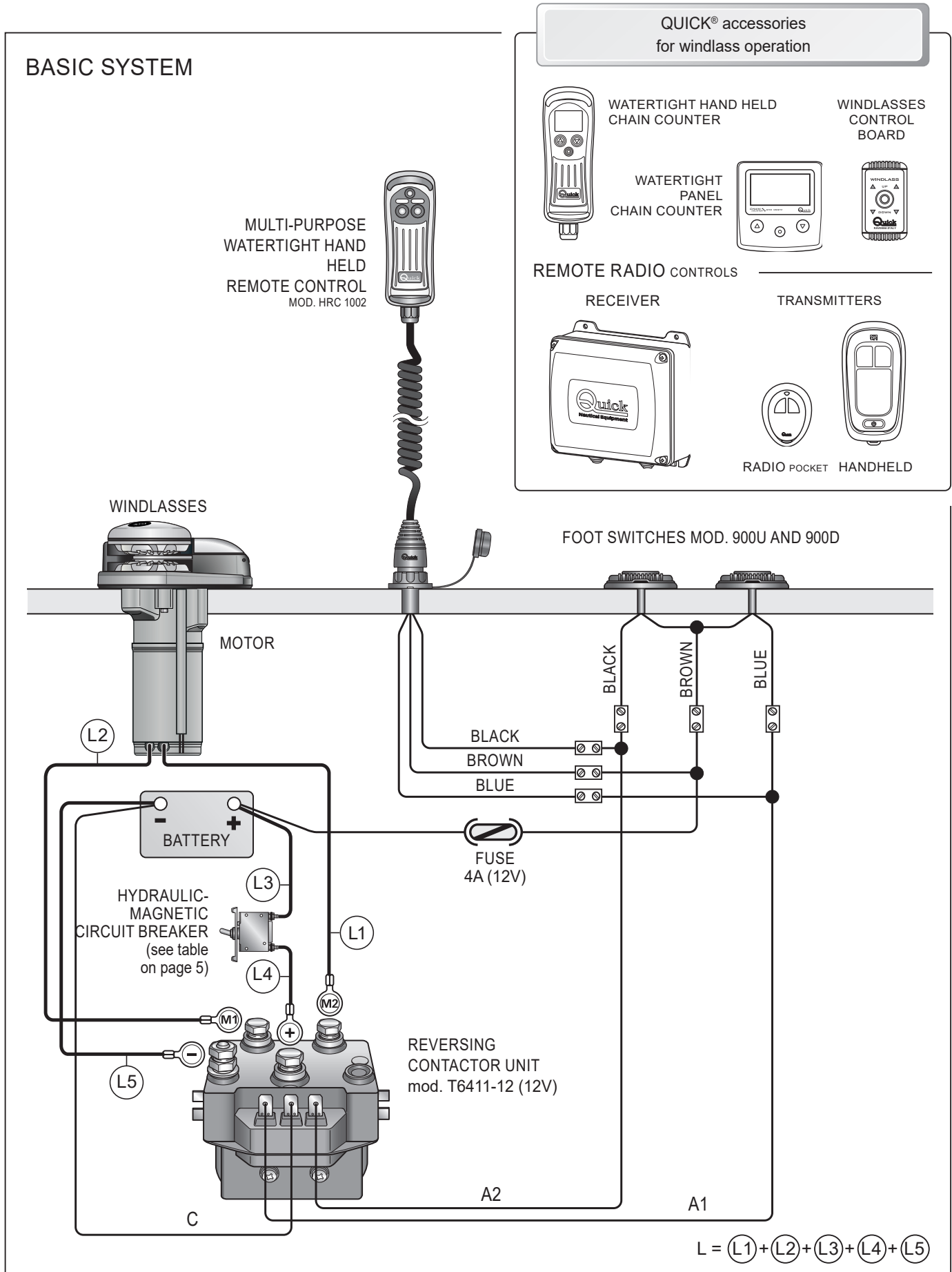






5.0 - Example of connection DP2 L 770

with recommended Quick® accessories for the operation of the windlass





## 6.0 - Important cautions



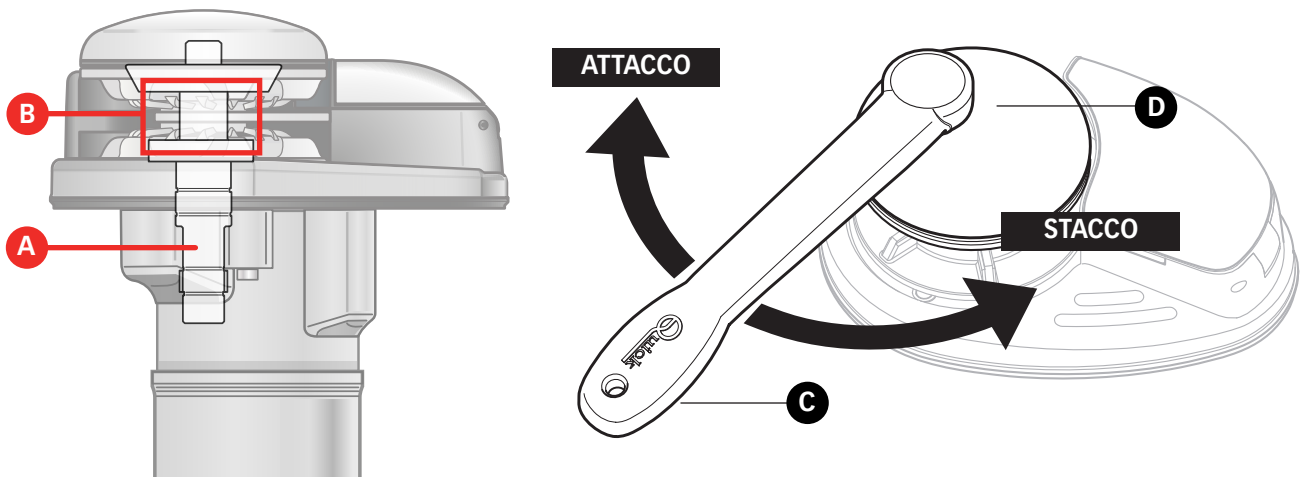
- Stay clear of chains, ropes and gypsy.
- Operate the windlass from a position where it is possible to supervise the work area
- Make sure the electric motor is not powered when the windlass is used manually (even when using the handle to disengage the clutch), because people with windlass remote controls (remote push-button panel or radio control) might accidentally operate it.
- Secure the chain with a retainer before sailing off.
- DO NOT operate the windlass by using the electrical power when the handle is inserted in the drum or into the gypsy cover.



- Quick® recommends using a suitable power fuse/thermal-magnetic/hydraulic-magnetic protection for the motor used, to protect the motor from overheating or short circuits.
- The circuit breaker can be used to isolate the windlass control circuit, thus avoiding accidental activation.

## 6.1 - Clutch use

The clutch (**B**) provides a link between the gypsy and the main shaft (**A**). The clutch can be released (disengagement) by using handle (**C**) which, when inserted into bush (**D**) of the drum or into the gypsy cover (6), must be turned counter-clockwise. The clutch will be re-engaged by turning it clockwise.



### WEIGHING THE ANCHOR

- Turn on the boat engine.
- Make sure the clutch is engaged and remove the handle.
- Press the UP button on the control provided.



Check the upward movement of the chain for the last few meters in order to avoid damage to the bow.

### CASTING THE ANCHOR

The anchor can be cast by using the electrical controls or manually.

#### Manually

The clutch must be disengaged allowing the gypsy to revolve and letting the chain or rope fall into the water. To slow down the chain, the handle must be turned counter-clockwise.

#### Electrically

To cast the anchor by using the electrical power, press the DOWN button on the control provided. In this manner, anchor casting is under control and the chain unwinds evenly.



In order to avoid any stress on the windlass once the boat is anchored, fasten the chain or secure it to a firm hold with a rope.



### 6.2 - Troubleshooting

If the windlass stops and the hydraulic magnetic (or thermal magnetic\*) switch has not tripped, wait a few seconds and try again (avoid keeping the button pressed).

If the hydraulic magnetic switch, has tripped, reset it and wait a few minutes before weighing anchor once again.

If, after a number of attempts, the windlass is still blocked, we suggest to move the boat to release the anchor.



## 7 - Maintenance



**WARNING:** make sure the electrical power to the motor is switched off when working manually on the windlass. Carefully remove the chain from the gypsy or the rope from the drum.

Quick® windlasses are made of materials resistant to the marine environment: it is essential, in any case, to periodically remove salt deposits that form on the external surfaces to avoid corrosion and consequently damage to the device. Thoroughly wash the surfaces and parts where salt can deposit with fresh water.

Once a year, disassemble the gypsy and the drum according to the following sequence:

- Use the handle (1) to remove the gypsy cover (2)
- Remove the top clutch cone (3)
- Open the chain guide cover (7)
- Undo the retaining screws (5)
- Remove the gypsy (4)
- Remove the clutch washer (6)

Clean all the parts removed to avoid corrosion, and grease (with marine grease) the shaft thread and the gypsy where the clutch cones rest.

Remove any oxide deposits from the terminals of the electric motor and the reversing contactor unit; grease them.



If required, windlass must be disassembled by qualified personnel.

Make sure that the gearmotor is cold before disassembling it.

The disposal must be carried out according to the regulations of the place where the work is carried out.



## 8 - Product disposal

As with installation, at the end of this product life, dismantling must be carried out by qualified personnel.

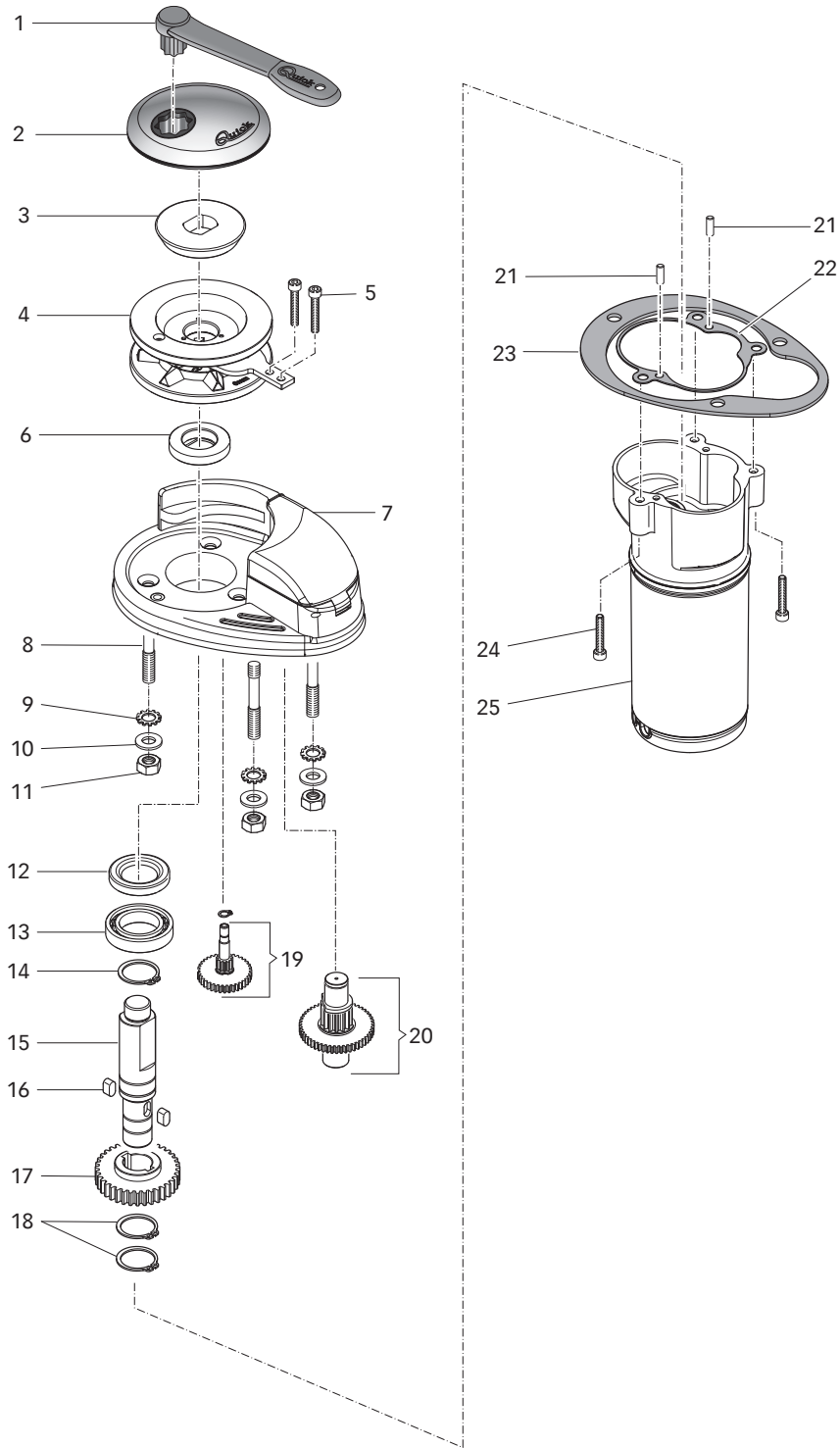
This product is made up of various materials, some can be recycled and others must be suitably disposed of; enquire about the recycling or disposal systems provided for by local regulations for this product category.

Some parts of the product may contain pollutants or hazardous substances that, if dispersed, may be harmful to the environment and human health.

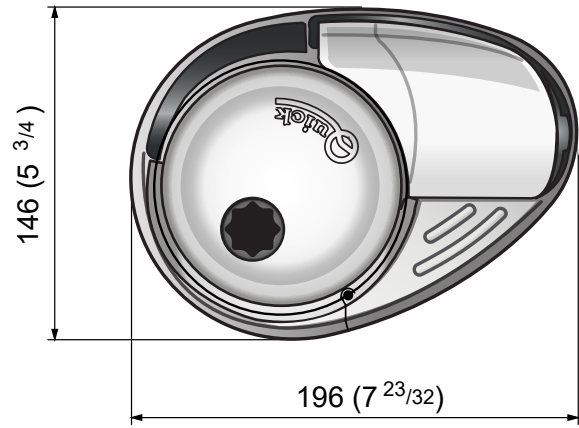
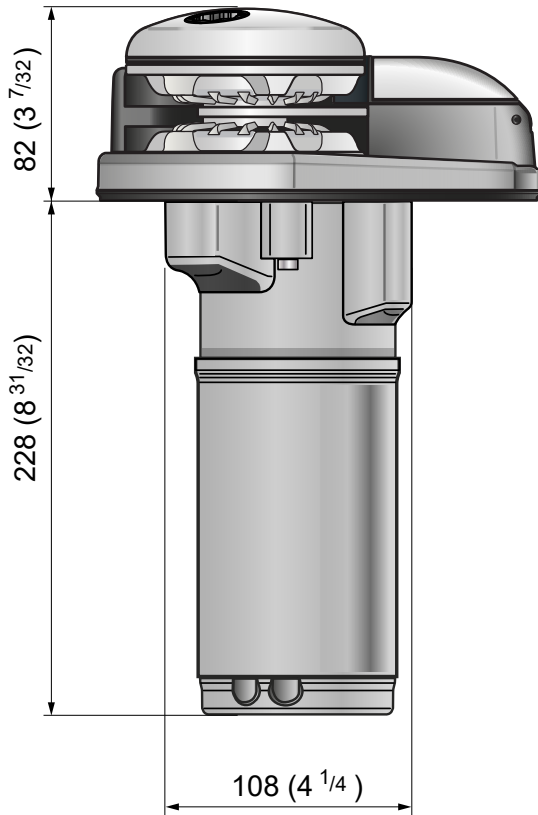


As indicated by the symbol on the side, it is forbidden to dispose of this product as domestic waste.

Separate the products for disposal in accordance with the regulations in force in your area or return the product to the seller when purchasing a new equivalent product. Local regulations may impose severe penalties for the improper disposal of this product.



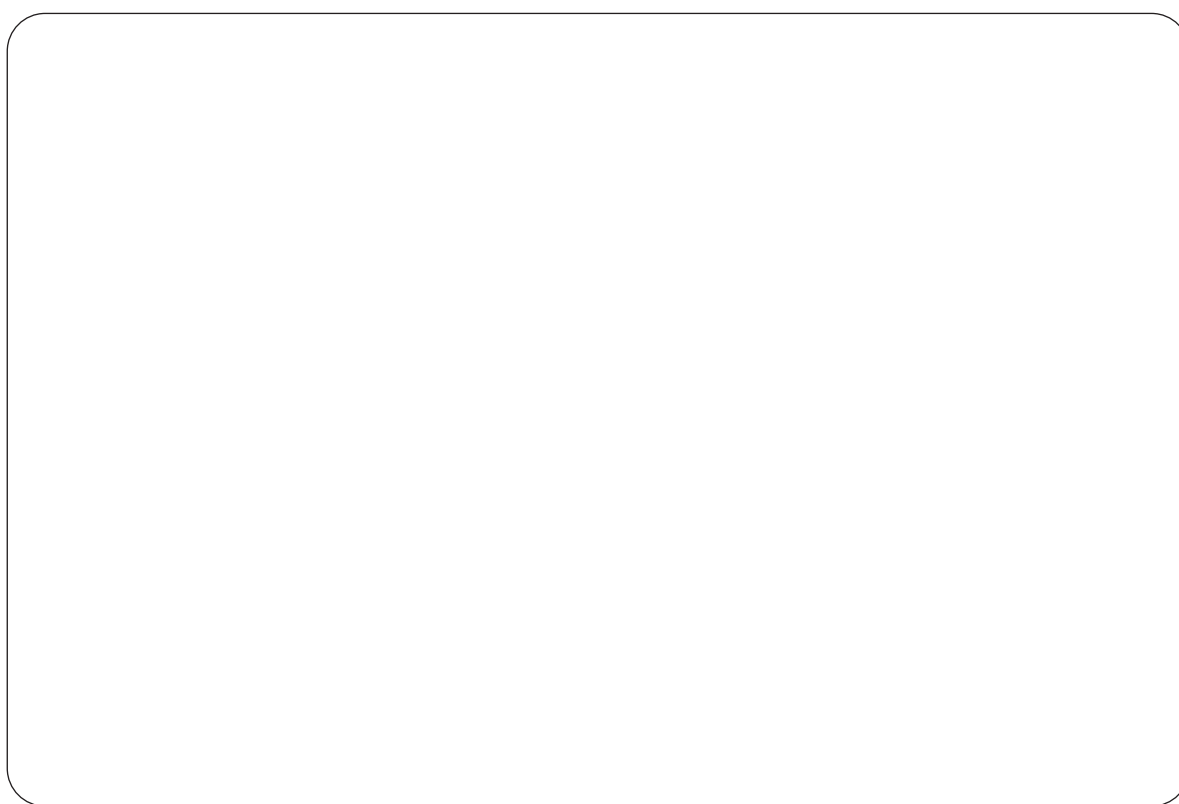
N°.	NAME	N°.	NAME	N°.	NAME
1	STRAIGHT WINDLASS LEVER - NYLON	9	WASHER	18	EXTERNAL SNAP RING
2	GYPSY COVER	10	SERRATED WASHER	19	FIRST AXLE WHEELS
3	UPPER CLUTCH CONE	11	NUT	20	SECOND AXIS WHEELS
4	COMPLETE GYPSY DP2	12	OIL SEAL	21	SPINE
5	SCREW	13	BEARING	22	CRANKCASE GASKET
6	LOWER WASHER	14	EXTERNAL SNAP RING	23	BASE GASKET
7	CHAIN GUIDE COVER DP2	15	SHAFT DP2L	24	SCREWS
8	STUD	16	KEY	25	GEARMOTOR
		17	SHAFT WHEEL		



Quick® reserves the right to introduce changes to the equipment and the contents of this manual without prior notice.  
In case of discordance or errors in translation between the translated version and the original text in the Italian language, reference will be made to the Italian or English text.

# DP2 L 770

REV 000A



Product serial number

