

BL Series

REV 000A

CE

UK
CA

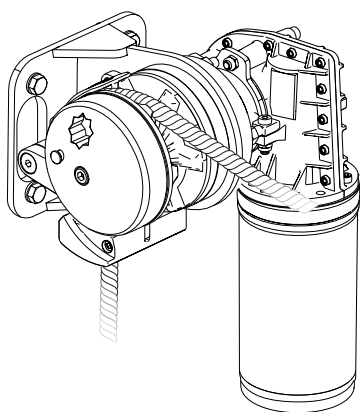
January, 2023

WINDLASS

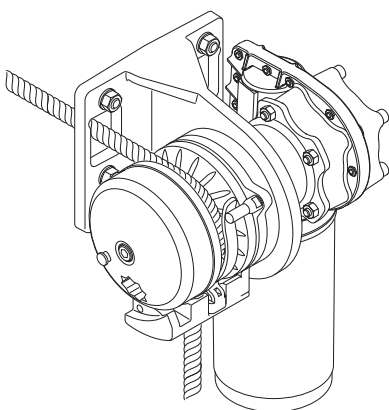
BL2 P FF/0 Y/X 600 900 1200

BL2R P FF/0 Y/X 600 900 1200

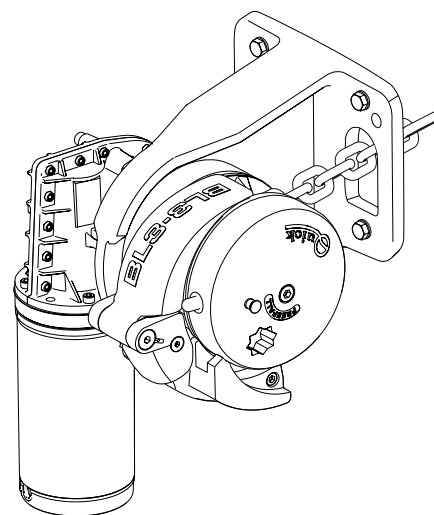
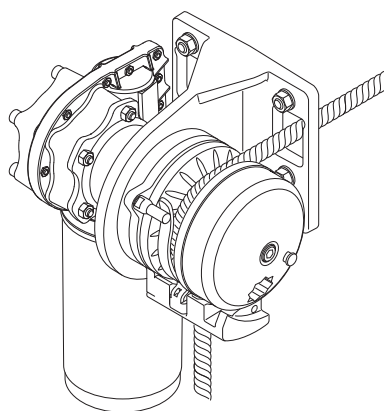
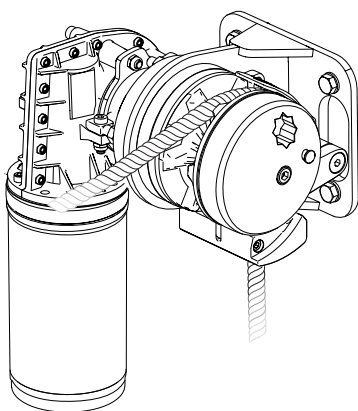
BL3 P FF X 600 900 1500



BL2 Y/X



BL2R Y/X



***EN - INSTALLATION AND USER'S MANUAL**

*Other languages available by scanning the QR code on the back of this manual or on the label on the product.

Quick[®]
Nautical Equipment

- IT *Altre lingue disponibili scansionando il codice QR presente sul retro del seguente manuale o sull'etichetta alloggiata sul prodotto.
- ES *Otros idiomas disponibles escaneando el código QR en la parte posterior de este manual o en la etiqueta del producto.
- FR *Autres langues disponibles en scannant le code QR au dos de ce manuel ou sur l'étiquette du produit.
- DE *Andere Sprachen sind durch Scannen des QR-Codes auf der Rückseite dieser Betriebsanleitung oder auf dem Aufkleber am Produkt verfügbar.
- PT *Outros idiomas disponíveis, digitalizando o código QR no verso deste manual ou no rótulo do produto.

1 - Information about the product	5
1.0 - Model code	5
1.1 - BL2 Technical Data	5
1.2 - BL2R Technical Data	6
1.3 - BL3 Technical Data	6
1.4 - Tightening torques	7
2 - Supply and equipment	7
2.0 - Standard supply and material included in the package	7
2.1 - Tools required for installation	7
2.2 - Recommended Quick® accessories not included	7
3 - Introduction	8
3.0 - Important notes	8
3.1 - Precautions	8
3.2 - Precautions for the installer	8
4 - Installation	9
4.0 - Installation requirements	9
4.1 - Installation procedure	9
5 - Electric connections	11
5.0 - Base system BL2/BL2R/BL3 600W	11
5.1 - Base system BL2/BL2R/BL3 900/1200W BL3 1500W	12
6 - Free fall use	13
6.0 - Automatic free fall system	13
7 - Cautions & Use	14
7.0 - Important warnings	14
7.1 - Clutch use	14
7.2 - Troubleshooting	15
7.3 - BL2R rope fall positioning	15
7.4 - Fixing the automatic stop to the chain/rope	16
8 - Maintenance	17
8.0 - Product disposal	17
9 - Product parts	18
9.0 - BL2 exploded view	18
9.1 - BL2R exploded view	19
9.2 - BL3 exploded view	20
10 - Spare parts	21
11 - Dimensions	23
11.0 - BL2 dimensions	23
11.1 - BL2 R dimensions	24
11.2 - BL3 dimensions	25

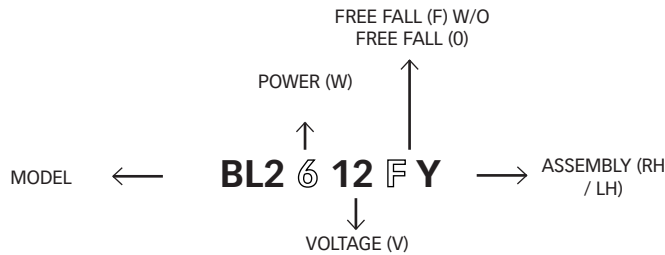


READ THIS INSTRUCTION MANUAL CAREFULLY BEFORE USING THE PRODUCT. IF IN DOUBT, CONTACT YOUR QUICK® DEALER.



QUICK® RESERVES THE RIGHT TO MODIFY THE TECHNICAL CHARACTERISTICS OF THE EQUIPMENT AND THE CONTENTS OF THIS MANUAL WITHOUT PRIOR NOTICE. IN CASE OF DISCORDANCE OR ERRORS IN TRANSLATION BETWEEN THE TRANSLATED VERSION AND THE ORIGINAL TEXT IN THE ITALIAN LANGUAGE, REFERENCE WILL BE MADE TO THE ITALIAN TEXT.

1.0 - Model code



1.1 - BL2 Technical Data

MODELS	BL2 FF 6		L2 FF 9		BL2 FF 12	
MODEL POWER	600 W		900 W		1200 W	
Motor voltage	12 V	24 V	12 V	24 V	12 V	24v
Work load	65 kg (143.3 lb)	70 kg (485 lb)	100 kg (220.5 lb)	107 kg (235.9 lb)	140 kg (308.6 lb)	160 kg (352.7 lb)
Maximum work load	200 kg (440.9 lb)	220 kg (154.3 lb)	300 kg (661.4 lb)	320 kg (705.5 lb)	420 kg (926 lb)	480 kg (1058.2 lb)
Current consumption at work load ⁽¹⁾	80 A	40 A	95 A	50 A	130 A	75 A
Maximum recovery speed	28.9 m/min (94.8 ft/min)	28.2 m/min (92.5 ft/min)	22.6 m/min (74.1 ft/min)	25.3 m/min (83.0 ft/min)	31.2 m/min (102.4 ft/min)	30.1 m/min (98.7 ft/min)
Speed at work load ⁽²⁾	24.3 m/min (79.7 ft/min)	24.1 m/min (79.1 ft/min)	11.6 m/min (38.1 ft/min)	14.4 m/min (47.2 ft/min)	16.5 m/min (54.1 ft/min)	19.1 m/min (62.7 ft/min)
Minimum motor cable cross section ⁽³⁾	16 mm ² (AWG5)	10 mm ² (AWG7)	25 mm ² (AWG7)	10 mm ² (AWG7)	35 mm ² (AWG2)	16 mm ² (AWG5)
Circuit breaker ⁽⁴⁾	60 A	40 A	50 A	40 A	80 A	50 A
Weight-model	12.3 kg (27 lb)		16.4 kg (36.1 lb)		17.6 kg (38 lb)	

(1) After an initial period of use

(2) Measurements taken with a gypsy for 8 mm chain

(3) Minimum recommended value for total length L<20 m. Determine the cable cross section according to the length of the wiring.

(4) With specific circuit breaker for direct current (DC) and delayed circuit breaker (thermal-magnetic or hydraulic-magnetic).

GYPSY (*)	6 mm		7 mm / 1/4"				8 mm		5/16"
Chain size	6 mm	6 mm	7 mm	7 mm	1/4"	1/4"	8 mm	8 mm	5/16"
	DIN 766	ISO	DIN 766	ISO (**)	BBB	G4	DIN 766	ISO (**)	G4
Rope size ⁽⁵⁾	1/2" (12.7 mm)		1/2" (12.7 mm)				1/2" (12.7 mm)		

(5) The values in the table refer to a polyester rope featuring 3 strands with rope/chain junction according to "Quick®" system.

(*) For gypsy codes, see the exploded drawing on page 13.

(**) ISO EN 818-3.



1.2 - BL2R Technical Data

MODELS	BL2R FF 600		BL2R FF 900		BL2R FF 1200	
MODEL POWER	600 W		900 W		1200 W	
Motor voltage	12 V	24 V	12 V	24 V	12 V	24v
Work load	65 kg (143.3 lb)	70 kg (154.3 lb)	100 kg (220.5 lb)	107 kg (235.9 lb)	140 kg (308.6 lb)	160 kg (352.7 lb)
Maximum work load	200 kg (441 lb)		320 kg (705 lb)		420 kg (926 lb)	
Current consumption at work load ⁽¹⁾	80 A	40 A	95 A	50 A	130 A	75 A
Maximum recovery speed	25-28 m/min (82-91 ft/min)		22-25 m/min (72-82 ft/min)		28-30 m/min (91-98 ft/min)	
Minimum motor cable cross section ⁽²⁾	16 mm ² (AWG5)	10 mm ² (AWG7)	25 mm ² (AWG7)	10 mm ² (AWG7)	35 mm ² (AWG2)	16 mm ² (AWG5)
Circuit breaker ⁽³⁾	60 A	40 A	50 A	40 A	80 A	50 A
Weight-model	12.4 kg (27 lb)		16.4 kg (36 lb)		17.7 kg (39 lb)	

(1) After an initial period of use

(2) Minimum recommended value for total length L<20 m. Determine the cable cross section according to the length of the wiring.

(3) With specific circuit breaker for direct current (DC) and delayed circuit breaker (thermal-magnetic or hydraulic-magnetic).

ROPE SIZE ⁽⁴⁾	12 mm (15/32") 14 mm (35/64") 16 mm (5/8")
--------------------------	--

(4) Recommended rope sealed with lead. Tests carried out on Quick® polyester rope sealed with lead.

1.3 - BL3 Technical Data

MODELS	BL3 FF 600		BL3 FF 900		BL3 FF 1200		BL3 FF 1500	
MODEL POWER	600 W		900 W		1200 W		1500 W	
Motor voltage	12 V	24 V	12 V	24 V	12 V	24v	12 V	24 V
Work load	50 kg (110.2 lb)	60 kg (132.3 lb)	80 kg (176.4 lb)	100 kg (220.5 lb)	120 kg (264.5 lb)	150 kg (330.7 lb)	160 kg (352.7 lb)	180 kg (396.8 lb)
Maximum work load	150 kg (330.7 lb)	180 kg (369.8 lb)	250 kg (551.1 lb)	300 kg (661.4 lb)	370 kg (815.17 lb)	450 kg (992.1 lb)	470 kg (1036.2 lb)	540 kg (1190.5 lb)
Current consumption at work load ⁽¹⁾	100 A	55 A	90 A	55 A	140 A	80 A	140 A	
Maximum recovery speed	29.2 m/min (95.8 ft/min)	26.4 m/min (86.4 ft/min)	27.4-26.4 m/min (89.9-86.6 ft/min)		36.6-40.9 m/min (120-134.2 ft/min)		29.2 m/min (95.8 ft/min)	
Speed at work load ⁽²⁾	22.2 m/min (72.8 ft/min)	17.8 m/min (58.4 ft/min)	14.4 m/min (47.2 ft/min)	14.8 m/min (48.5 ft/min)	20.4 m/min (66.9 ft/min)	21.4 m/min (70.2 ft/min)	16.3 m/min (53.5 ft/min)	19 m/min (62.3 ft/min)
Minimum motor cable cross section ⁽³⁾	16 mm ² (AWG5)		25 mm ² (AWG3)	16 mm ² (AWG5)	35 mm ² (AWG2)	16 mm ² (AWG5)	50 mm ² (AWG0)	25 mm ² (AWG3)
Circuit breaker ⁽⁴⁾	80 A	50 A	50 A	40 A	80 A	50 A	100 A	50 A
Weight-model	14.7 kg (32 lb)		18.8 kg (41 lb)		20 kg (44 lb)		23.8 kg (52.5 lb)	

(1) After an initial period of use.

(2) Measurements taken with a gypsy for 8 mm chain

(3) Minimum recommended value for total length L= <20 m.

Determine the cable cross section according to the length of the wiring.

(4) With specific circuit breaker for direct current (DC) and delayed circuit breaker (thermal-magnetic or hydraulic-magnetic).

GYPSY (*)	6 mm		8 mm - 5/16"			10 mm - 3/8"	
Chain size	6 mm	6 mm	8 mm	8 mm	5/16"	10 mm	3/8"
	DIN 766	ISO	DIN 766	ISO	BBB	ISO (P.30)	G4

(*) For gypsy codes, see the exploded drawing on page 17.

(**) The values in the table apply to the combination of rope and chain according to the Quick® system, we do not guarantee the correct operation with other anchor-rode types.



1.4 - Tightening torques

TIGHTENING TORQUE	Nm
M6	8.7
M8	21.1
M10	41.8
M12	72.8
M14	116
M16	180

Values for stainless steel screws and nuts, assess tightening considering the material of the surfaces to be secured.



2.0 - Standard supply and material included in the package

- Windlass
- Remote switch or Reversing contactor box
- Lever
- Mounting bracket
- Screws (for assembly)
- Installation and user's manual, Warranty
- Drilling template

2.1 - Tools required for installation

- BL2**
 - Drill with bit: Ø 9 mm (23/64")
 - Hex wrench: 13 mm
- BL2R**
 - Drill with bit: Ø 9 mm (23/64")
 - Hex wrench: 13 mm
- BL3**
 - Drill with bit: Ø 9 mm (23/64") and Ø 16 mm (5/8")
 - Hex wrench: 13 mm

2.2 - Recommended Quick® accessories not included

- Control board
- Waterproof push-button panel (HRC 1002)
- Foot switch (900)
- Hydraulic-magnetic circuit breaker
- Control system via RRC radio (R02 - P02 - H02)
- Chain counter for anchorage (Mod.1103 - only windlass with chain)



BEFORE USING THE PRODUCT, PLEASE READ THIS USER'S MANUAL CAREFULLY. IF IN DOUBT, PLEASE CONSULT YOUR QUICK® DEALER.

3.0 - Important notes

This manual features Warning and/or Caution symbols that are important for safety. Please follow the instructions provided.



Warning symbol for dangerous situations.



Caution symbol to prevent direct or indirect damage to the product.

This manual provides boat manufacturers and nautical equipment installers with instructions on how to assemble the specified Quick® product and operate it correctly.

3.1 - Precautions



Quick® windlasses are designed and manufactured to weigh the anchor.

- Do not use these products for any other type of operation.
 - Quick® shall not be held liable for direct or indirect damage caused by improper use of the product.
 - The windlass is not designed to support loads generated in particular weather conditions (storm).
 - Operate the product from a position where it is possible to supervise the work area.
 - Always deactivate the windlass when not being used.
 - Make sure that there are no bathers nearby before dropping the anchor.
 - The splice between the rope and the chain must be tightly woven for the rope to slide easily into the gypsy shape.
- For any problem or request, feel free to contact Quick® Technical Service.
- For improved safety, we recommend installing at least two controls to operate the windlass in case one is damaged.
 - We recommend the use of Quick® switch as motor safety device.
 - Secure the chain with a retainer before sailing off.
 - The reversing contactor box must be installed in a position protected from any water entry.
 - After completing the anchorage, secure the chain to fixed points such as chain stopper or bollard.
 - To prevent accidental releases, the anchor must be secured. The windlass must not be used as sole securing device.
 - Isolate the windlass from the electrical system during navigation and secure the rope to a fixed point of the boat.
 - This equipment is not intended for use by people (including children) with reduced physical, sensory or mental capabilities.

3.2 - Precautions for the installer



CARRY OUT THE INSTALLATION IN GOOD LIGHTING CONDITIONS.

It is advisable to wear suitable clothing and personal protective equipment (PPE).

The product is not suitable for installation in potentially explosive environments and/or atmospheres. Installation and subsequent inspection or repair work must only be carried out by qualified personnel.



CARRY OUT INSTALLATION/MAINTENANCE WORK MAKING SURE THAT THE PRODUCT IS DISCONNECTED FROM THE ELECTRICAL SYSTEM.

Quick® accepts no responsibility for inadequate connection of users to the electrical system and inadequate safety of the electrical system.



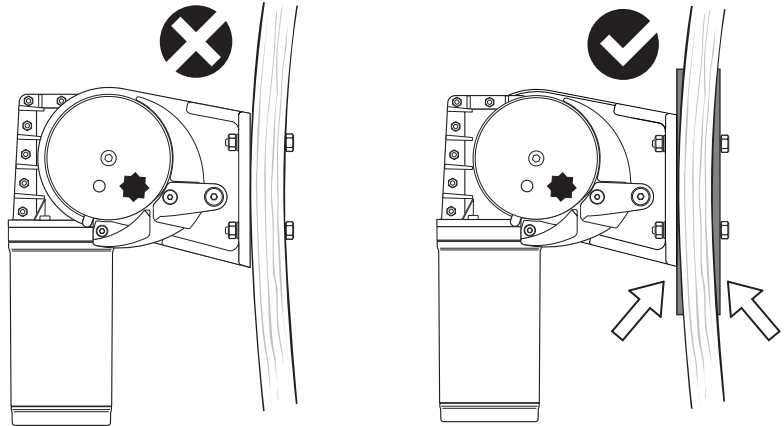
4.0 - Installation requirements

A. Wall-mounting

Ensure that the inner and outer surfaces of the wall are as parallel as possible. If this is not the case, compensate the difference appropriately.



Tighten nuts to the tightening torque specified in the table on page 7 ch.1.4

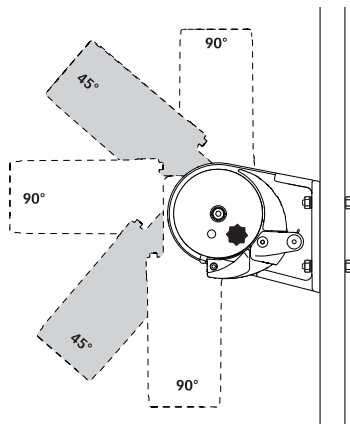


B. Motorgearbox position

Depending on the type of motorgearbox, a rotation every 45° or 90° is possible. Depending on the available space.

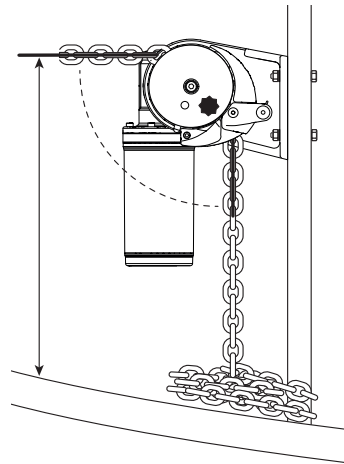


WARNING: before connecting the equipment, make sure that cables are not live.



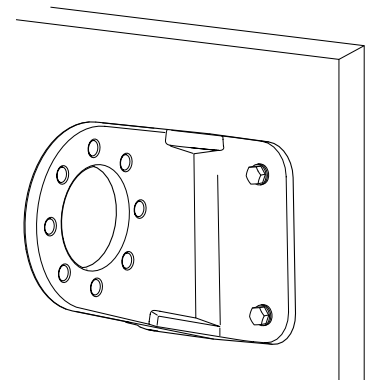
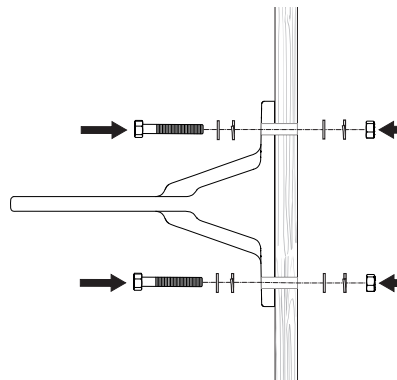
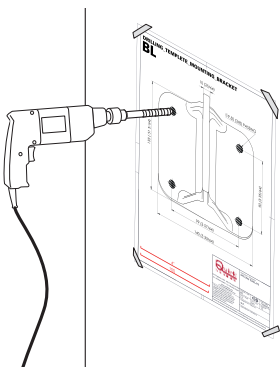
C. CHAIN POSITION & PEAK DEPTH

Ensure that the chain falls in a vertical line. Take care not to damage the sensor cables during installation. There must be no obstacles to the passage of cables, rope and chain under deck. Insufficient depth of the peak could cause jamming.



4.1 - Installation procedure

Identify the ideal position and drill the holes using the drilling template supplied.



The pictures on this page are purely generic and do not represent a specific model.

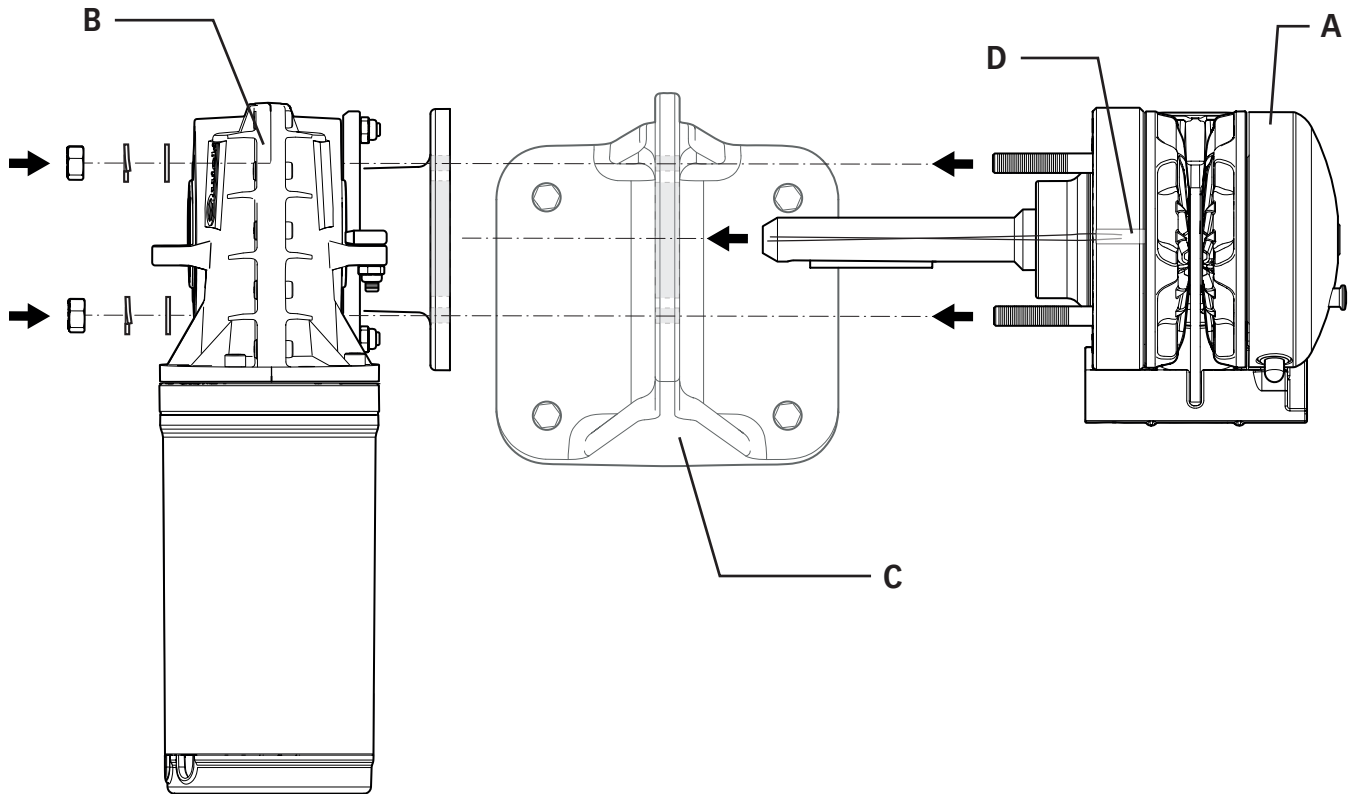


WARNING: before connecting the equipment, make sure that cables are not live.

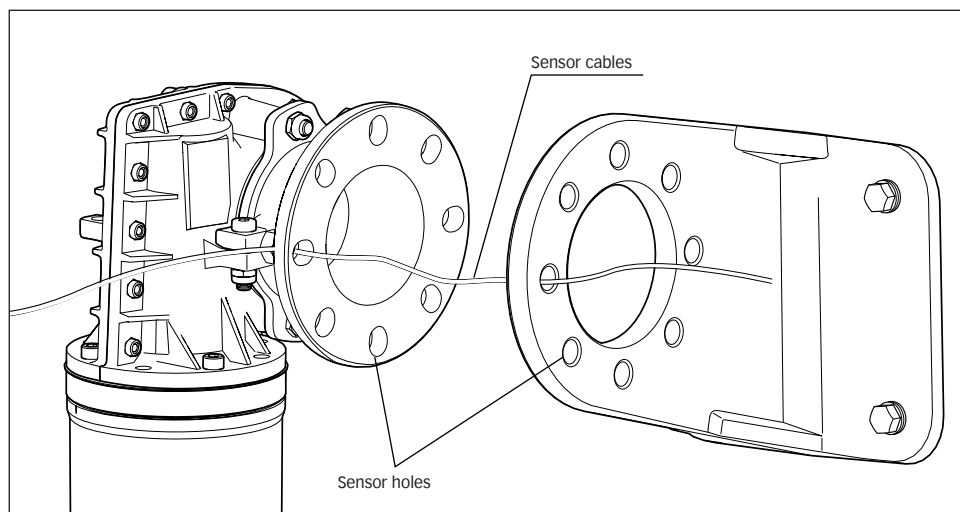
Assemble the Top (A) and gearbox (B), inserting shaft in the mounting bracket (C), previously secured to the wall.



Fix the windlass by screwing the nuts onto the fixing studs. (page 7 ch.1.4).



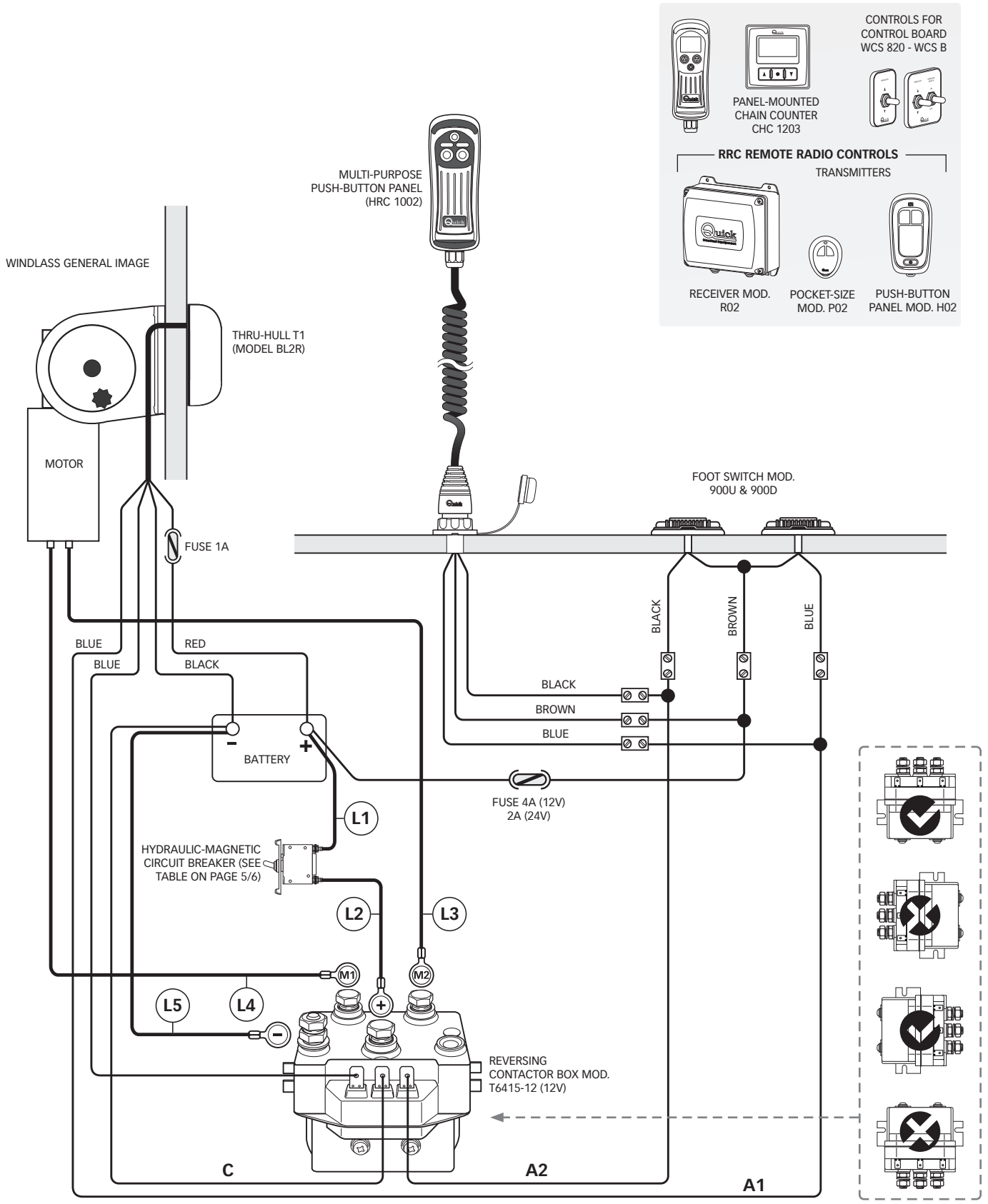
When assembling the top and gearbox, run the sensor cables (D) through the holes in the bracket and gearbox. **TAKE CARE NOT TO DAMAGE THE SENSOR CABLES DURING INSTALLATION.**



ELECTRIC MOTOR: Connect the supply cables and sensor cable from the windlass to the remote switch/reversing contactor unit. (see wiring diagram on page 11)



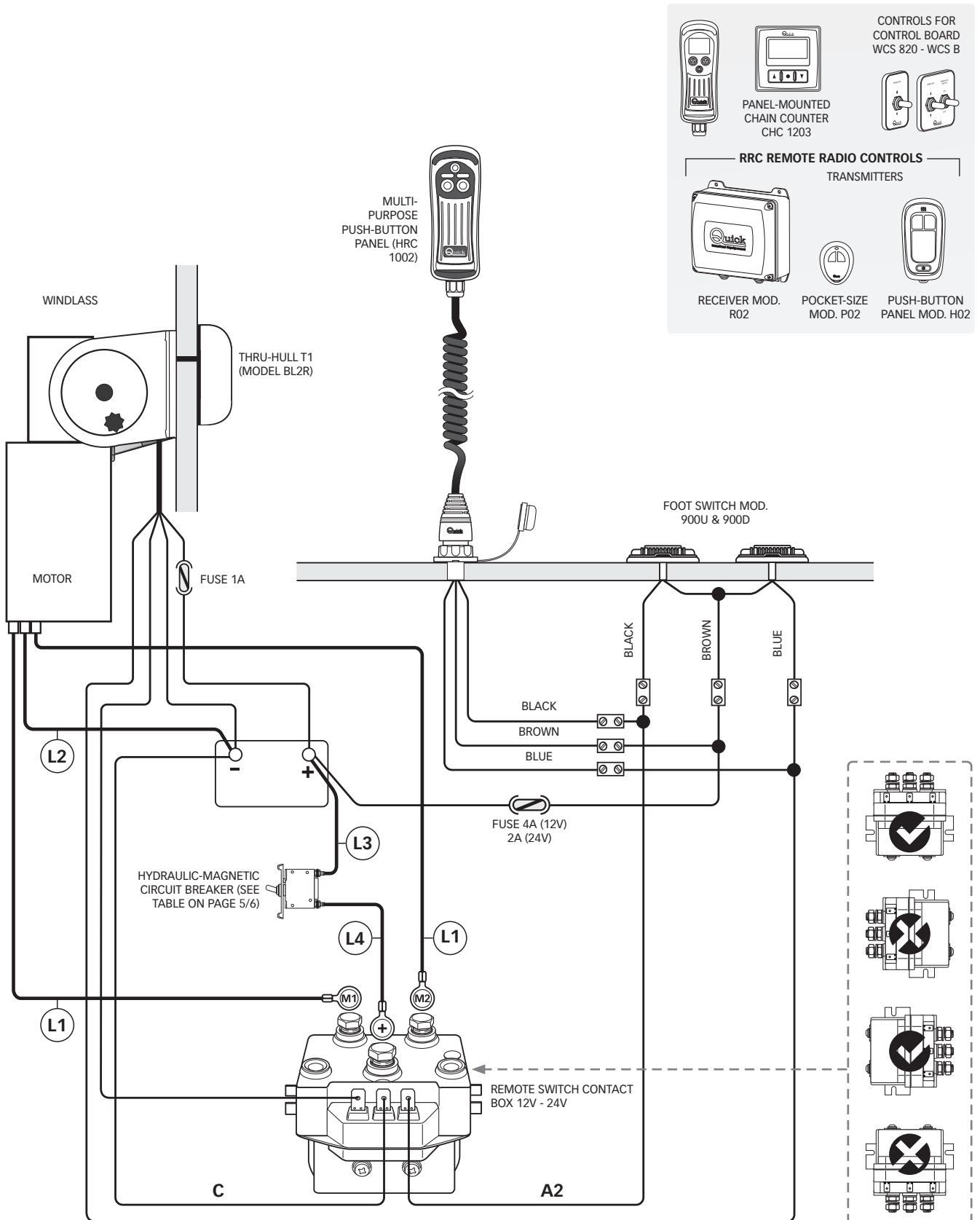
5.0 - Base system BL2/BL2R/BL3 600W



L = (L1) + (L2) + (L3) + (L4) + (L5)



5.1 - Base system BL2/BL2R/BL3 900/1200W BL3 1500W



$L = (L1) + (L2) + (L3) + (L4)$



6.0 - Automatic free fall system



WARNING: the automatic system must be activated or deactivated with the clutch closed (engaged) in order to avoid possible malfunctions of the electromechanical parts.

TURNING THE AUTOMATIC FREE FALL SYSTEM ON.

This procedure activates the automatic free fall system.

- Turn cover **A** until hole for pin **B** is facing up (as in fig. 1).
- Cut windlass power supply.
- Lock chain using a stopper.
- Pull knob **C** until pin **B** comes fully out (as in fig.2).
- Ensure clutch is closed (engaged).
- Release the chain.
- Restore windlass power supply.

By holding down the DOWN button of the control at your disposal, the clutch is opened (disengaged) and the gypsy rotates freely in relation to its axis.

By holding down the UP button of the control at your disposal, the clutch is closed (engaged) and the gypsy stays fixed to its axis.

Casting the anchor with automatic free fall system.

With the automatic system activated, press and hold the DOWN button of the control at your disposal until the point where the anchor can free fall without any constraints, then release the button.

To slow or stop the anchor's fall, press and hold the UP button on the control at your disposal until the desired effect is obtained.

Weighing the anchor with automatic free fall system.

Carry out the procedure as described in the paragraph USE - WEIGHING THE ANCHOR.

TURNING THE AUTOMATIC FREE FALL SYSTEM OFF.

This procedure deactivates the automatic free fall system.

- Turn cover **A** until hole for pin **B** is facing up (as in fig. 1).
- Cut windlass power supply.
- Lock chain using a stopper.
- Using a suitable tool, press pin **B** towards gypsy centre (as in fig. 3).
- Ensure clutch is closed (engaged).
- Release the chain.
- Restore windlass power supply.

With the automatic free fall system deactivated, the chain can only be lowered with electrical drive or manually (see section USE - CLUTCH USE).

FIG.1

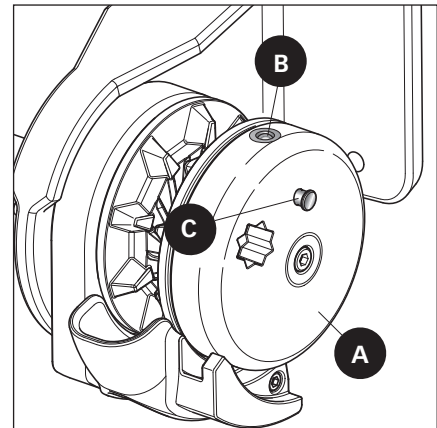


FIG.2

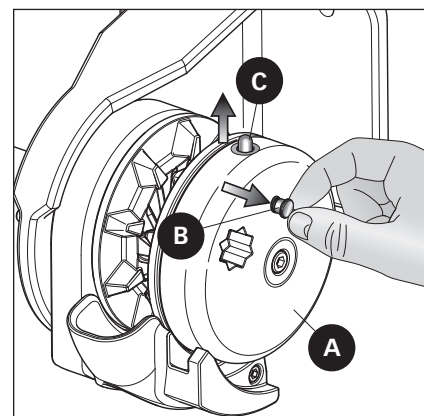
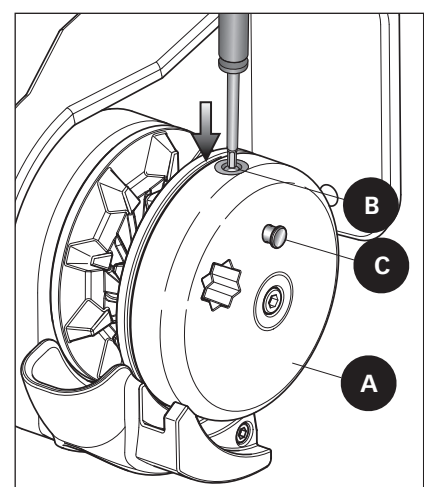


FIG.3





7.0 - Important warnings



DO NOT place any part of your body or objects near the chain and gypsy sliding area.

Operate the windlass from a position where it is possible to supervise the work area.



Make sure the electric motor is not powered when the windlass is used manually (even when using the handle to disengage the clutch), because people with windlass remote controls (remote push-button panel or radio control) might accidentally operate it.



Secure the chain with a retainer before sailing off.

DO NOT operate the windlass by using the electrical power when the handle is inserted in the drum or into the gypsy cover.



Quick® recommends using a suitable power fuse/thermal-magnetic/hydraulic-magnetic protection for the motor used, to protect the motor from overheating or short circuits.

The circuit breaker can be used to isolate the windlass control circuit, thus avoiding accidental activation.

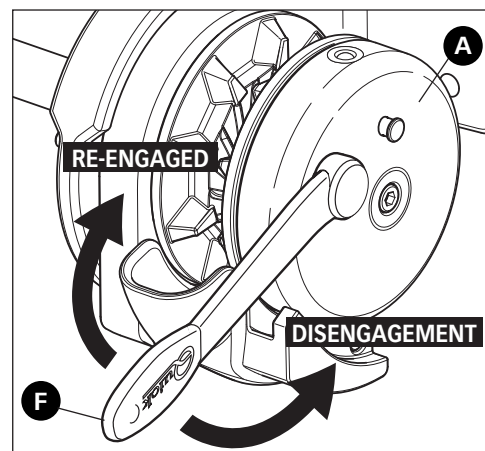
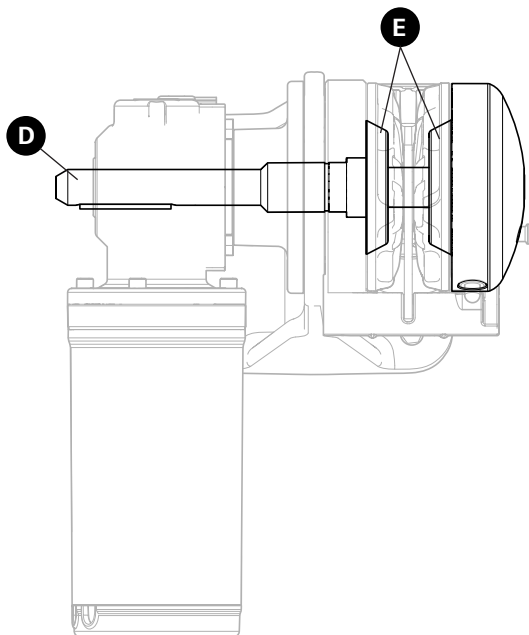


The circuit breaker can be used to isolate the windlass control circuit, thus avoiding accidental activation.

7.1 - Clutch use

The clutch (E) provides a link between the gypsy and the main shaft (D).

The clutch can be released (disengagement) by using handle (F) which, when inserted into the gypsy cover (A), must be turned COUNTER-CLOCKWISE. The clutch will be re-engaged by turning it CLOCKWISE.





WEIGHING THE ANCHOR

1. Turn on the boat engine.
2. Make sure the clutch is engaged and remove the handle.
3. Press the UP button on the control provided.(*)



Check the upward movement of the chain for the last few meters in order to avoid damage to the bow.

CASTING THE ANCHOR

The anchor can be cast by using the electrical controls or manually.

A. MANUALLY

The clutch must be disengaged allowing the gypsy to revolve and letting the chain or rope fall into the water. To slow down the chain, the handle must be turned counter-clockwise.

B. ELECTRICALLY

To cast the anchor by using the electrical power, press the DOWN button on the control provided. In this manner, anchor casting is under control and the chain unwinds evenly.



In order to avoid any stress on the windlass once the boat is anchored, fasten the chain or secure it to a safe point by means of a rope.

7.2 - Troubleshooting

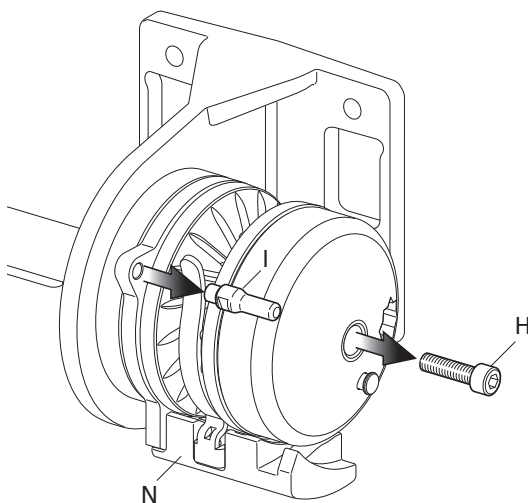
(*) If the windlass stops and the hydraulic magnetic (or thermal magnetic) switch has not tripped, wait a few seconds and try again (avoid keeping the button pressed).

If the hydraulic magnetic switch, has tripped, reset it and wait a few minutes before weighing anchor once again.

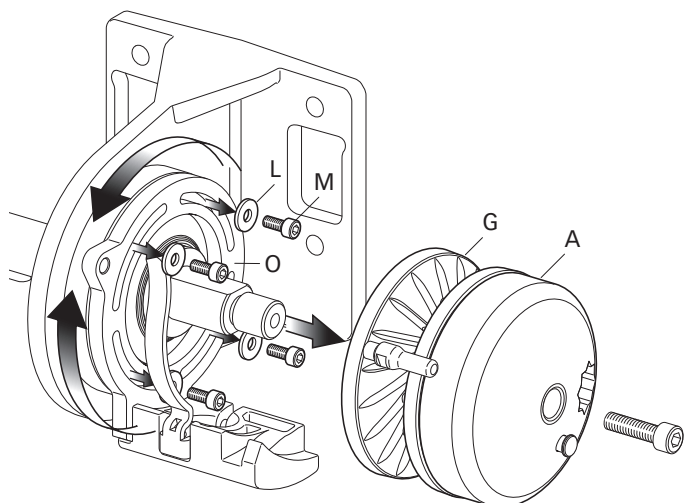
If, after a number of attempts, the windlass is still blocked, we suggest to move the boat to release the anchor.

7.3 - BL2R rope fall positioning

Depending on how the windlass is mounted, the rope can be at different angles. The procedure for adjusting the rope guide support (N) at the rope exit is described below.



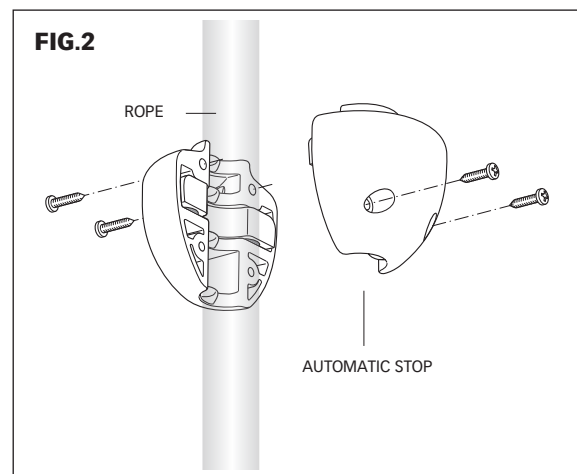
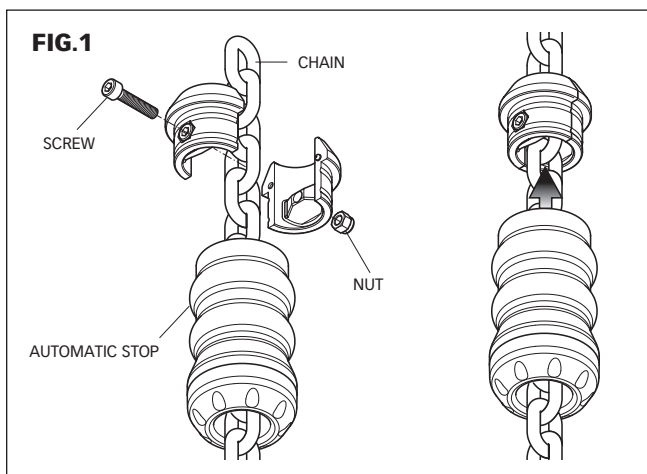
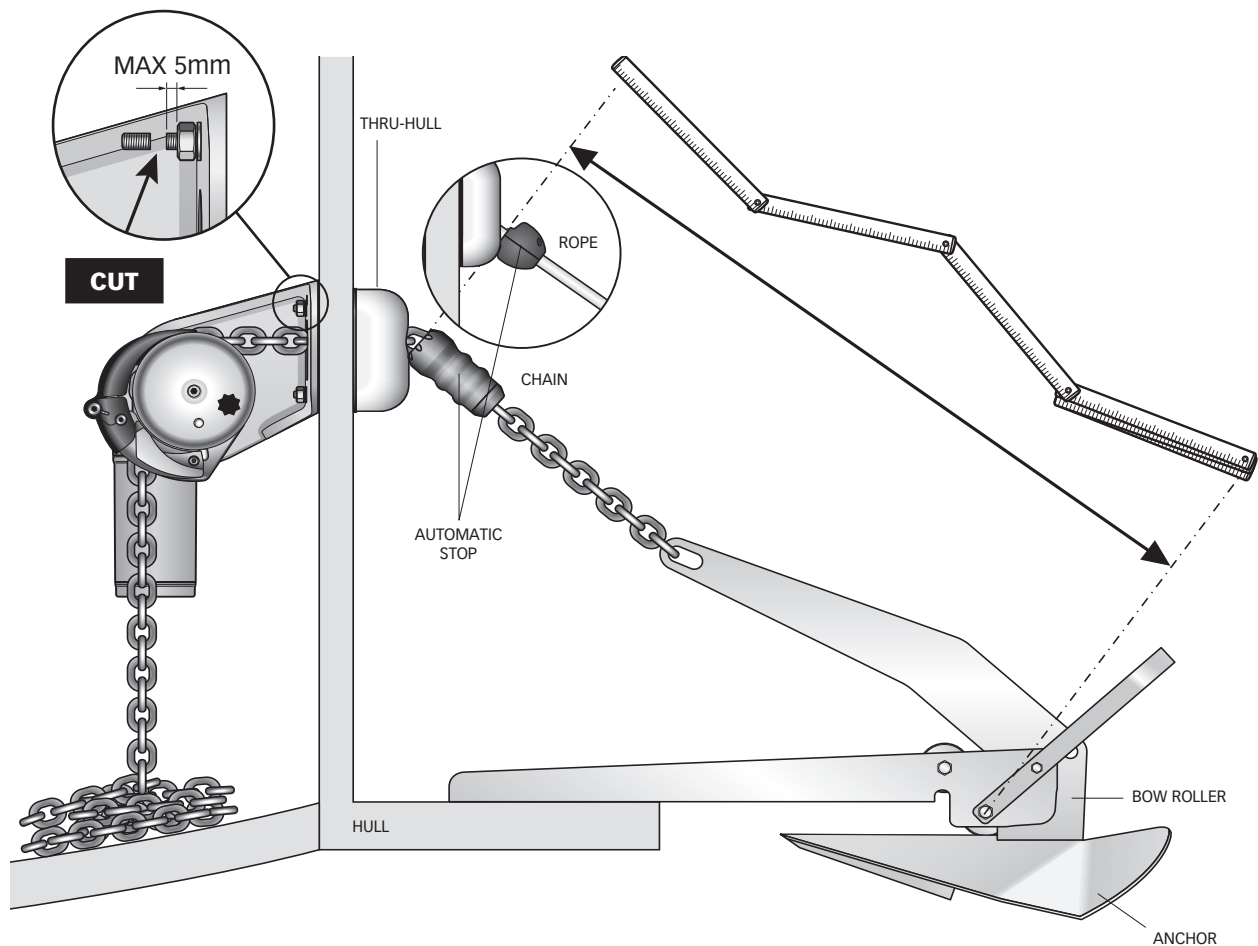
Unscrew and remove the pin (I) and screw (H).



Unscrew and remove the gypsy cover (A) and gypsy (G). Unscrew and remove the 4 screws (M) and rotate the base plate (O) to the desired position.

7.4 - Fixing the automatic stop to the chain/rope

- Weigh the anchor until it locks into the Bow Roller.
- With the rope tensioned, position the Automatic Stop as close as possible to the thru-hull, measure the distance between the Automatic Stop and the Bow Roller pin.
- At the established rope point, secure the Automatic Stop (with the screw, chain fig.1) - (with the 4 screws, rope fig.2).





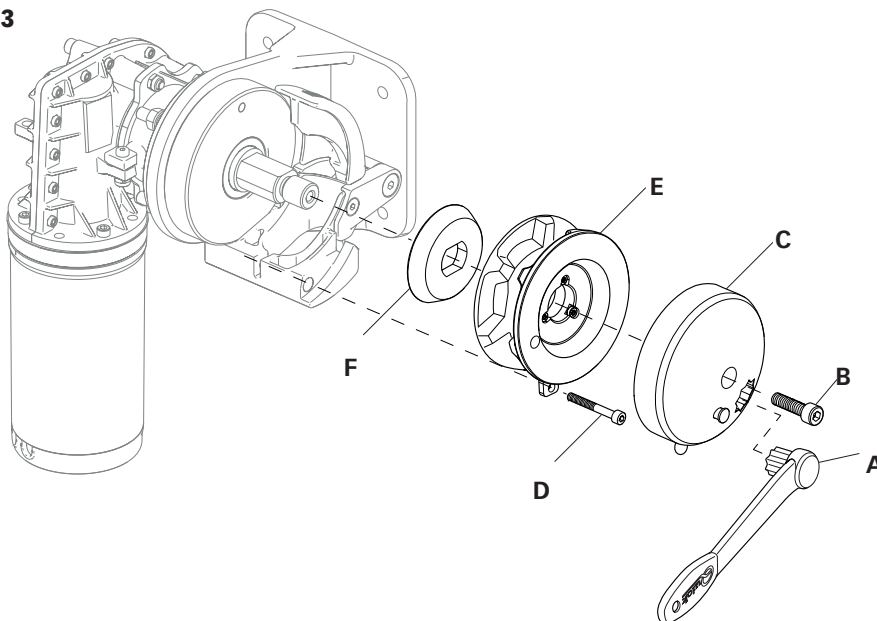
WARNING: make sure the electrical power to the motor is switched off when working manually on the windlass. Carefully remove the chain from the gypsy.

Quick® products are made of materials resistant to the marine environment: it is essential, in any case, to periodically remove salt deposits that form on the external surfaces to avoid corrosion and consequently damage to the device. Thoroughly wash the surfaces and parts where salt can deposit with fresh water.

Once a year, disassemble the gypsy according to the following sequence (fig.3):

- Use the lever (A) to unscrew the gypsy cover (C); unscrew the screw (B) and remove the gypsy cover. Unscrew the retaining screw (D) of the chain stripper and remove it; pull out the gypsy (E).
- Clean all the parts removed to avoid corrosion, and grease (with marine grease) the shaft thread and the gypsy where the clutch cone (F) rests.
- Remove any oxide deposits from the terminals of the remote switch or reversing contactor unit; grease them.

FIG.3



8.0 - Product disposal

As with installation, at the end of this product life, dismantling must be carried out by qualified personnel.

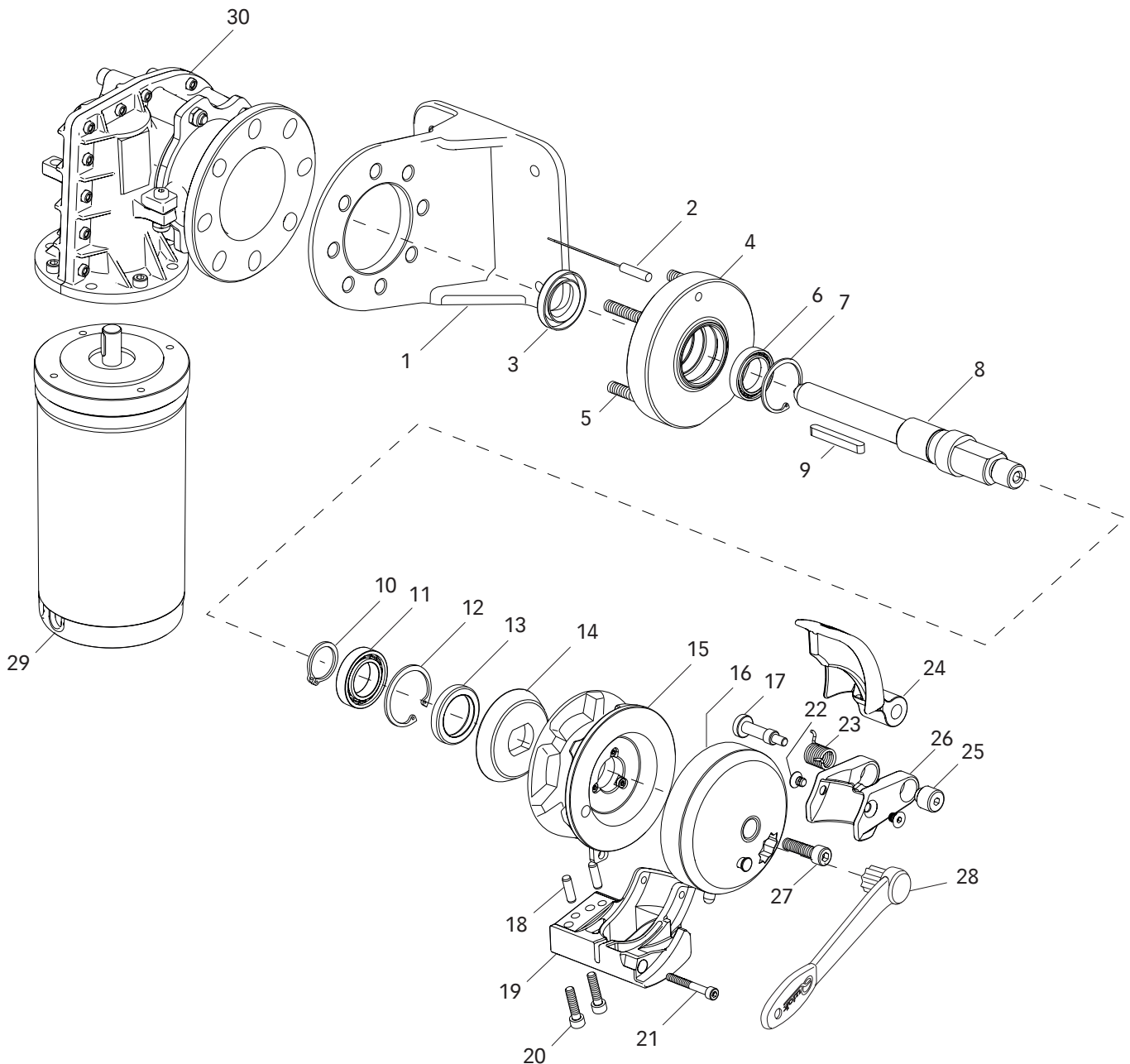
This product is made up of various materials, some can be recycled and others must be suitably disposed of; enquire about the recycling or disposal systems provided for by local regulations for this product category.

Some parts of the product may contain pollutants or hazardous substances that, if dispersed, may be harmful to the environment and human health.



As indicated by the symbol on the side, it is forbidden to dispose of this product as domestic waste. Separate the products for disposal in accordance with the regulations in force in your area or return the product to the seller when purchasing a new equivalent product. Local regulations may impose severe penalties for the improper disposal of this product.

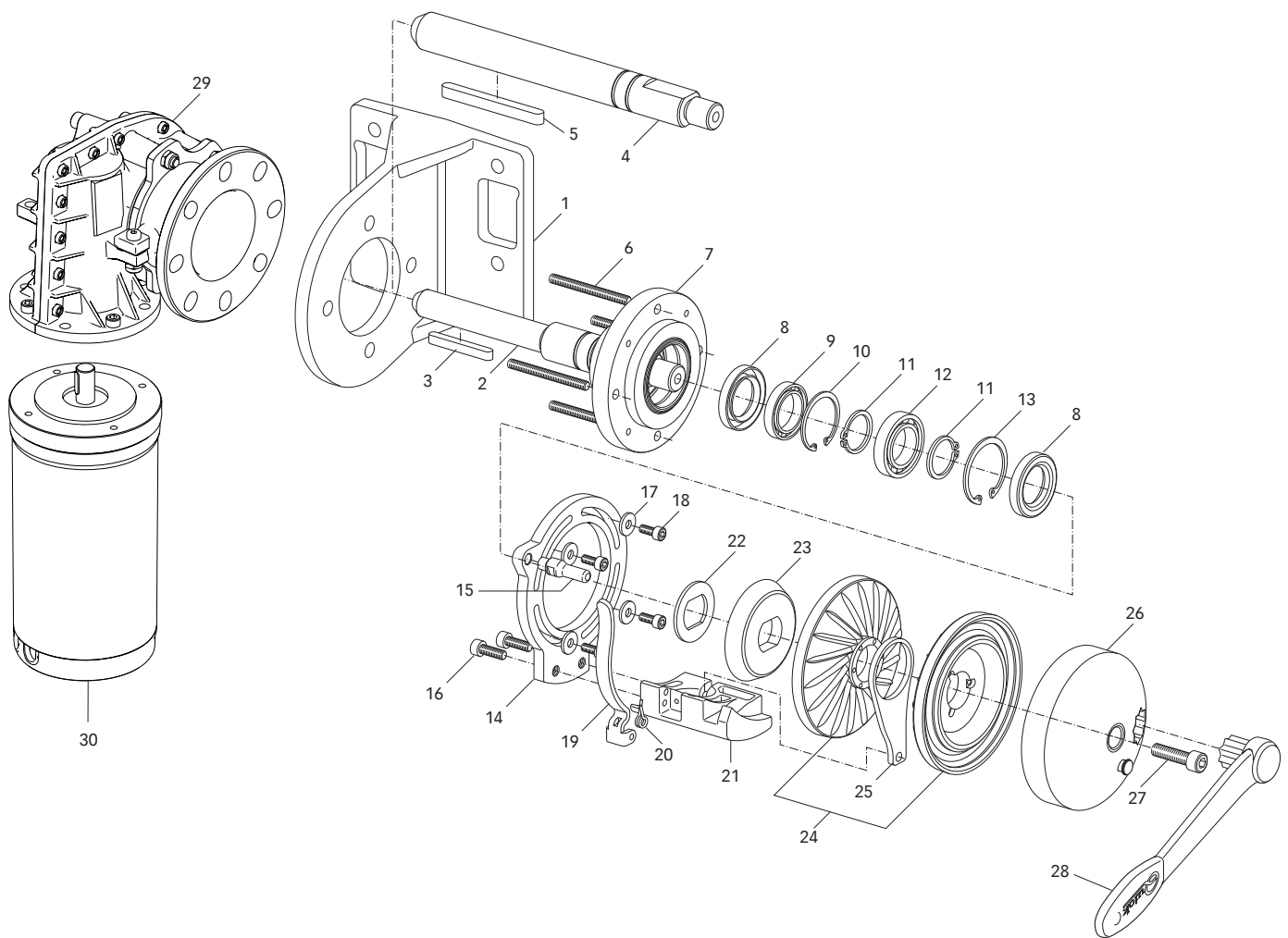
9.0 - BL2 exploded view



POS.	NAME	10	O-RING	22	SCREW
1	MOUNTING BRACKET	11	BEARING	23	PRESSURE LEVER SPRING
2	SENSOR	12	SNAP RING	24	PRESSURE LEVER
3	OIL SEAL	13	OIL SEAL	25	PRESSURE LEVER NUT
4	BASE BL2	14	WINDLASS CLUTCH CONE	26	PRESSURE LEVER GUIDE
5	STUDS	15	GYPSY	27	SUPPORT
6	BEARING	16	GYPSY COVER	27	SCREW
7	SNAP RING	17	PRESSURE LEVER PIN	28	LEVER
8 A	SHAFT BL2 600W	18	PIN	29	MOTOR
8 B	SHAFT BL2 900W/1200W	19	CHAIN GUIDE SUPPORT	30	REDUCTION GEAR
9 A	KEY BL2 600W	20	SCREW		
9 B	KEY BL2 900W/1200W	21	SCREW		

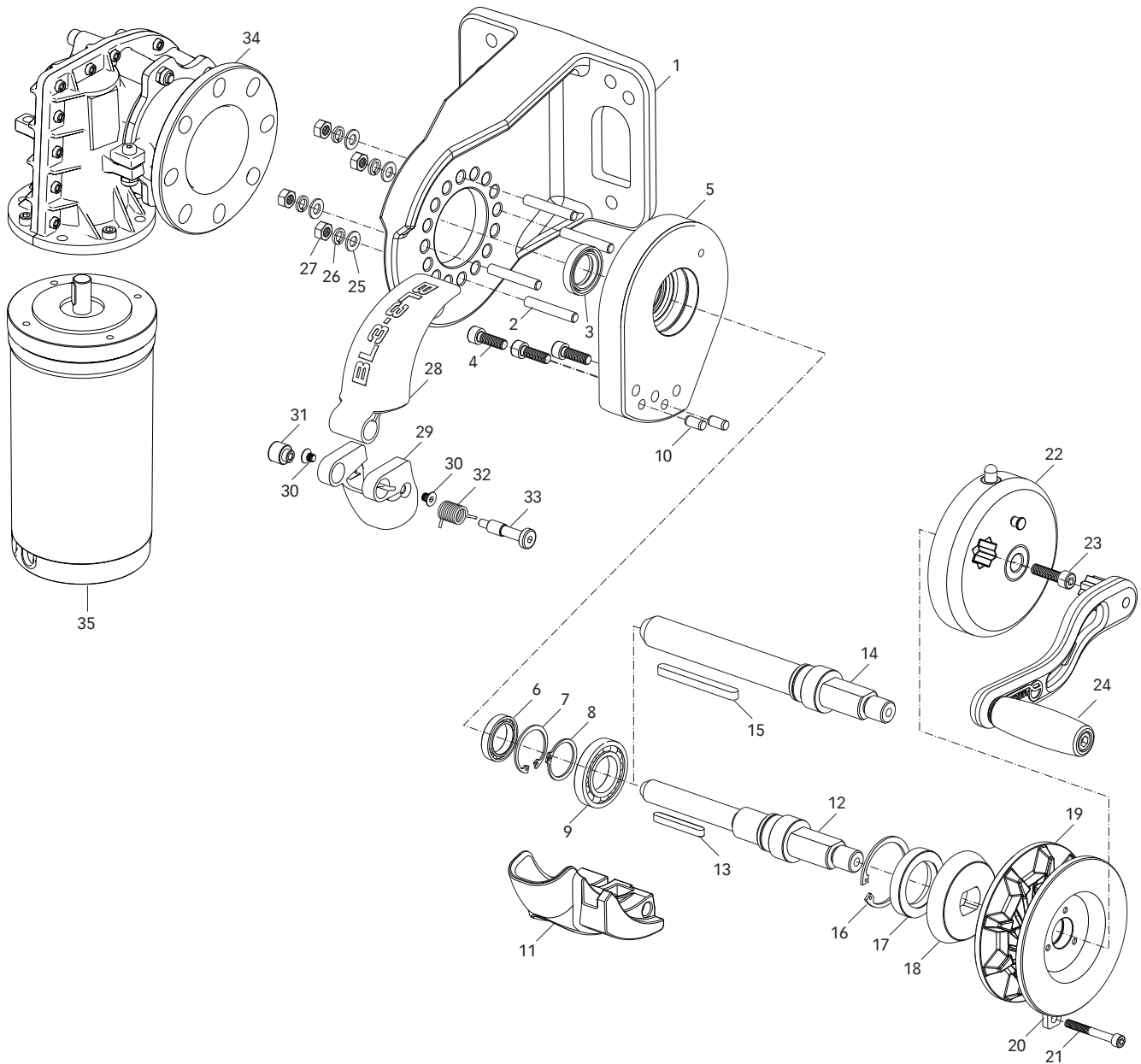


9.1 - BL2R exploded view



POS.	NAME	12	BEARING	24	GYPSY
1	MOUNTING BRACKET	13	INTERNAL SNAP RING	25	CHAIN STRIPPER
2	SHAFT SERIES "BL2 R" 600W	14	BASE SS SHEET	26	GYPSY COVER FF COMPLETE
3	SHAFT SS KEY 600W	15	TENS LOCKING PIN "BL2 R"	27	SS M SCREW
4	SHAFT SERIES "BL2 R" 900W/ 1200W	16	SS SCREW	28	STRAIGHT WINDLASS LEVER -
5	SHAFT SS KEY 900W/1200/W	17	SS WASHER	29	NYLON
6	STUD	18	SS SCREW	30	REDUCTION GEAR
7	ANODISED BASE "BL2"	19	PRESSURE LEVER "BL2 R"		MOTORGearBOX
8	OIL SEAL	20	PRESSURE LEVER SPRING		
9	BEARING	21	ROPE GUIDE SUPPORT "BL2 R" RH		
10	INTERNAL SNAP RING	22	REINFORCING WASHER		
11	EXTERNAL SNAP RING	23	WINDLASS CLUTCH CONE		

9.2 - BL3 exploded view

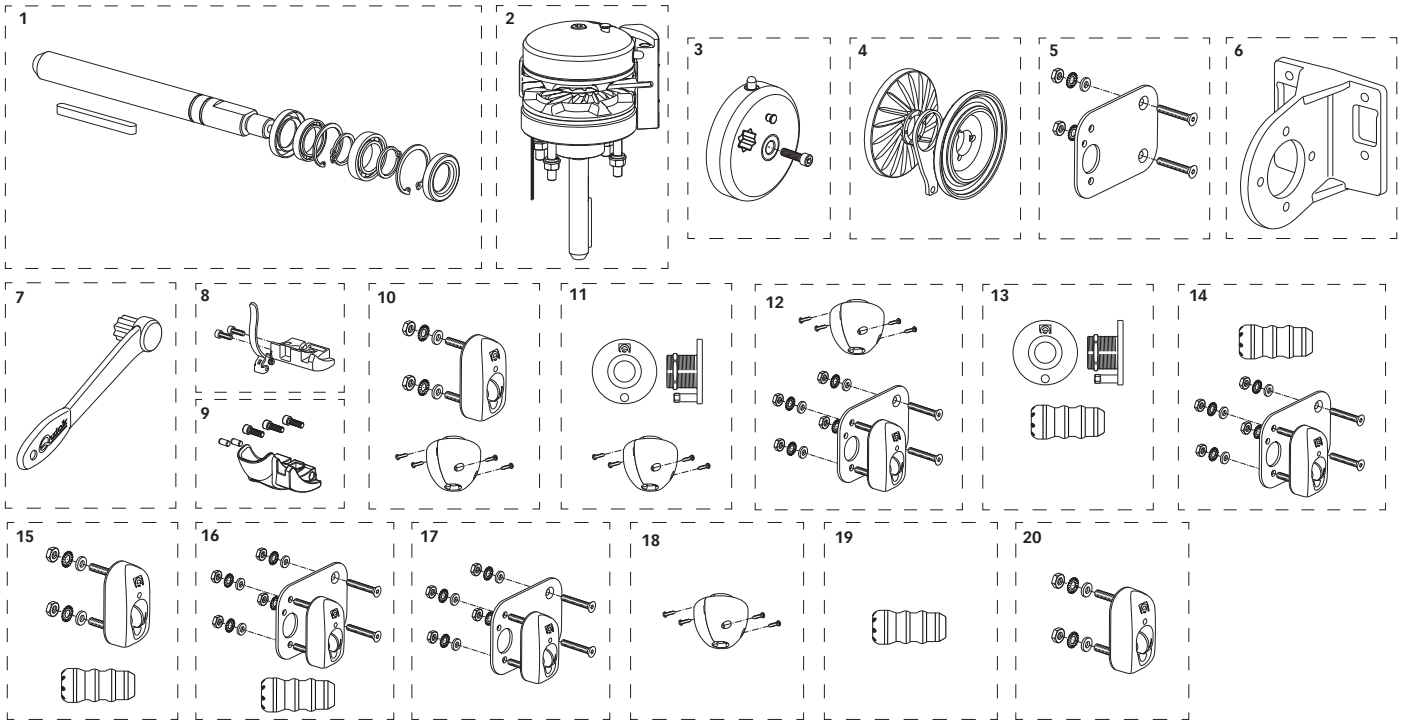


POS. NAME

1	MOUNTING BRACKET
2	STUD
3	OIL SEAL
4	SCREW
5	ANODISED BASE "BL3"
6	BEARING
7	INTERNAL SNAP RING
8	EXTERNAL SNAP RING
9	BEARING
10	PIN
11	CHAIN GUIDE SUPPORT "BLD" RH SS
12	SHAFT SERIES "BL3" 600W
13	KEY
14	SHAFT SERIES "BL3" 900/1200/1500W

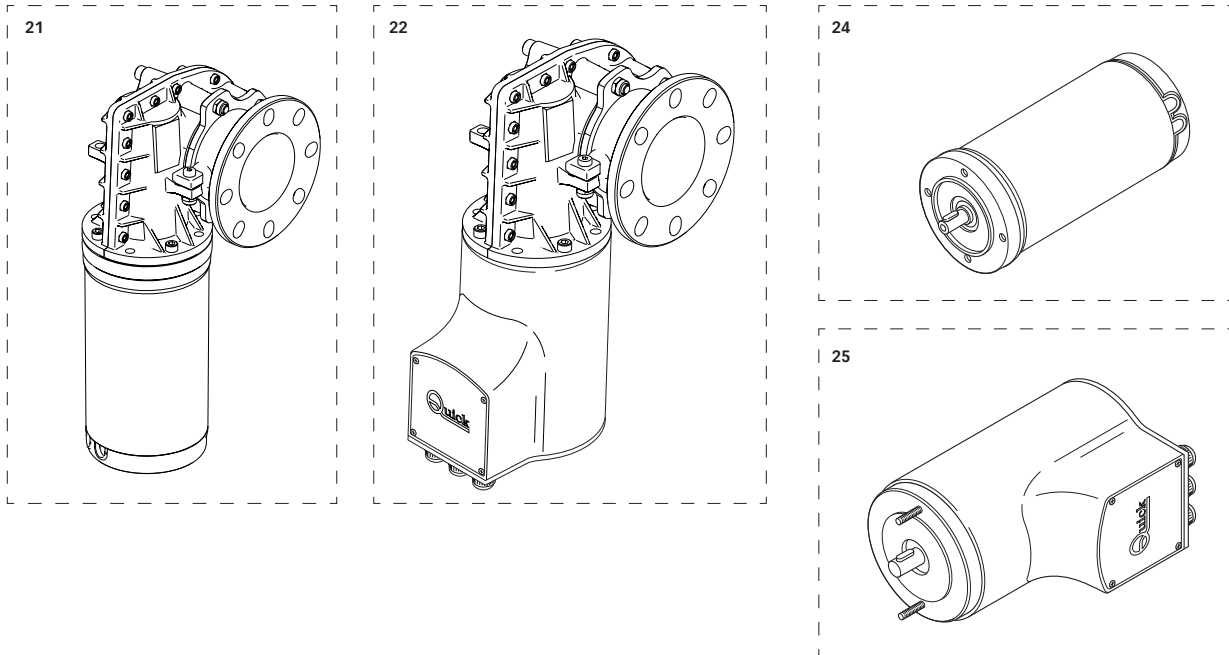
15	KEY
16	INTERNAL SNAP RING
17	OIL SEAL
18	WINDLASS CLUTCH CONE
19	GYPSY
20	STAINLESS STEEL CHAIN STRIPPER
21	SCREW
22	GYPSY COVER FF COMPLETE
23	SS M SCREW
24	CURVED WINDLASS LEVER
25	WASHER
26	GROWER
27	NUT
28	PRESSURE LEVER
29	LEVER SUPPORT

30	SCREW
31	PRESSURE LEVER NUT
32	PRESSURE LEVER SPRING
33	PRESSURE LEVER SCREW
34	REDUCTION GEAR
35	MOTOR



POS.NAME

1 A	OSP SHAFT KIT BL2 CHAIN 600W Y	FVSSABL2YC0SA00	6 A	OSP MOUNTING BRACKET BL2	FVSSSTBL2000A00
1 B	OSP SHAFT KIT BL2 CHAIN 900/1200W Y	FVSSABL2YC0LA00	6 B	OSP MOUNTING BRACKET BL2 R	FVSSSTBLD000A00
1 C	OSP SHAFT KIT BL2 R 600W X	FVSSABL2000SA00	6 C	OSP MOUNTING BRACKET BL3	FVSSSTBL3000A00
1 D	OSP SHAFT KIT BL2 R 600W Y	FVSSABL2Y00SA00	7 A	OSP NYLON WINDLASS LEVER BL2 / R	FVSSSLVSDN000A00
1 E	OSP SHAFT KIT BL2 R 900/1200W X	FVSSABL2000LA00	7 B	OSP CURVED WINDLASS LEVER REV2 BL3	FVSSSLVSP00R2A00
1 F	OSP SHAFT KIT BL2 CHAIN 900/1200W Y	FVSSABL2YC0LA00	8 A	OSP CHAIN GUIDE SUPPORT KIT BL2 Y	FVSSSGCGBL2YA00
1 G	OSP SHAFT KIT BL3 X 600W	FVSSABL3000SA00	8 B	OSP ROPE GUIDE SUPPORT KIT BL2 R Y	FVSSSGCGBLDYA00
1 H	OSP SHAFT KIT BL3 X 9/12/1500W	FVSSABL3000LA00	8 C	OSP ROPE GUIDE SUPPORT KIT BL2 R X	FVSSSGCGBLD0A00
2 A	OSP TOP BL2 F 600W 5/16"	FVSSTBL2F6Y5A00	9	OSP CHAIN GUIDE SUPPORT KIT BL3 X	FVSSSGCBL300A00
2 B	OSP TOP BL2 F 600W 6MM	FVSSTBL2F6Y6A00	10	OSP AUTOSTOP T1+ STOPPER KIT BL2R	FVSSATBLD000A00
2 C	OSP TOP BL2 F 600W 1/4"	FVSSTBL2F6Y7A00	11	OSP AUTOSTOP T2 + STOPPER KIT BL2 R	FVSSAT2BLD00A00
2 D	OSP TOP BL2 F 600W 8MM	FVSSTBL2F6Y8A00	12 A	OSP AUTOSTOP T1+ STOPPER KIT + LAM BL2 R A01	FVSSATLBLD00A01
2 E	OSP TOP BL2 F 9/1200W 8MM X	FVSSTBL2F9X8A00	12 B	OSP AUTOSTOP T1+ STOPPER KIT + LAM BL2 R X	FVSSATLBLD00A00
2 F	OSP TOP BL2 F 9/1200W 5/16"	FVSSTBL2F9Y5A00	12 C	OSP AUTOSTOP T1+ STOPPER KIT + LAM BL2 R Y	FVSSATLBLDY0A00
2 G	OSP TOP BL2 F 9/1200W 6MM	FVSSTBL2F9Y6A00	13	OSP AUTOSTOP T2 BL2/R + FOLDING STOPPER KIT	FVSSAT2BLD20A00
2 H	OSP TOP BL2 F 9/1200W 1/4"	FVSSTBL2F9Y7A00	14	OSP AUTOSTOP T1+LAM BL2 R Y+ FOLDING STOPPER KIT	FVSSATLBLEY20A00
2 I	OSP TOP BL2 R 600W ROPE X	FVSSTBLD0600A00	15 A	OSP AUTOSTOP T1 Ø6MM 600W KIT BL3	FVSSATBL3060A00
2 L	OSP TOP BL2 R 600W ROPE Y	FVSSTBLD060YA00	15 B	OSP AUTOSTOP T1 Ø6MM 900W KIT BL3	FVSSATBL306LA00
2 M	OSP TOP BL2 9/1200W ROPE X	FVSSTBLD1000A00	15 C	OSP AUTOSTOP T1 Ø8-10MM KIT BL3	FVSSATBL3080A00
2 N	OSP TOP BL2 R 9/1200W ROPE X	FVSSTBLD10X0A00	15 D	OSP AUTOSTOP T1 Ø8-10MM KIT BL3 A01	FVSSATBL3080A01
2 O	OSP TOP BL2 R 9/1200W ROPE Y	FVSSTBLD10Y0A00	16 A	OSP AUTOSTOP T1 Ø6MM+LAM 600W KIT BL3	FVSSATLBL306A00
2 P	OSP TOP BL3 X 600W 6MM	FVSSTBL3S006A00	16 B	OSP AUTOSTOP T1 Ø8/10MM + LAM KIT BL3	FVSSATLBL308A00
2 Q	OSP TOP BL3 X 9/12/1500W 6MM	FVSSTBL3L006A00	16 C	OSP AUTOSTOP T1 Ø6MM + LAM 900W KIT BL3	FVSSATLBL36LA00
2 R	OSP TOP BL3 X 9/12/1500W 8MM-5/16"	FVSSTBL3L008A00	17	OSP AUTOSTOP T1 + LAM KIT BL3	FVSSLFSTBL3LA00
2 S	OSP TOP BL3 X 9/12/1500W 10MM-3/8"	FVSSTBL3L010A00	18	OSP ROPE SAFETY STOPPER BL2	FVSSBLSCBLD0A00
3 A	OSP GYPSY COVER FF Y Ø105MM	FVSSCPBBGFFYA00	19 A	OSP SAFETY STOPPER 600W Ø6MM CHAIN BL3	FVSSBLSCBL36A00
3 B	OSP GYPSY COVER FF Ø105MM	FVSSCPBBGFF0A00	19 B	OSP SAFETY STOPPER 900W Ø6MM CHAIN BL3	FVSSBLSCBL37A00
3 C	OSP GYPSY COVER FF3 Ø130MM	FVSSCPBBFF30A00	19 C	OSP SAFETY STOPPER CHAIN Ø8-10MM BL3	FVSSBLSCBL38A00
4 A	OSP GYPSY 5/16" BL2	FVSSBBL20050A00	20	OSP THRU-HULL KIT T1 BL3	FVSSPT1BL300A00
4 B	OSP GYPSY 6MM BL2	FVSSBBL20060A00			
4 C	OSP GYPSY 7MM-1/4" BL2	FVSSBBL20070A00			
4 D	OSP GYPSY 8MM BL2	FVSSBBL20080A00			
4 E	OSP GYPSY ROPE BL2 R X	FVSSB08CMBLDA00			
4 F	OSP GYPSY 6MM BL3	FVSSBBL30600A00			
4 G	OSP GYPSY 8MM-5/16" BL3	FVSSBBL30800A00			
4 H	OSP GYPSY 10MM-3/8" BL3	FVSSBBL31000A00			
5 A	OSP BRACKET MOUNTING PLATE BL2 / R Y	FVSSLFSTBLDYA00			
5 B	OSP BRACKET MOUNTING PLATE BL2 / R X	FVSSLFSTBLD0A00			
5 C	OSP BRACKET MOUNTING PLATE BL3	FVSSLFSTBL30A00			

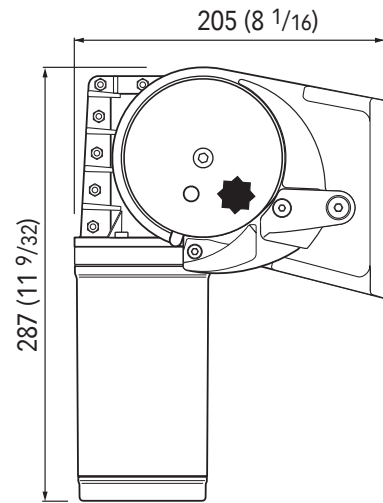
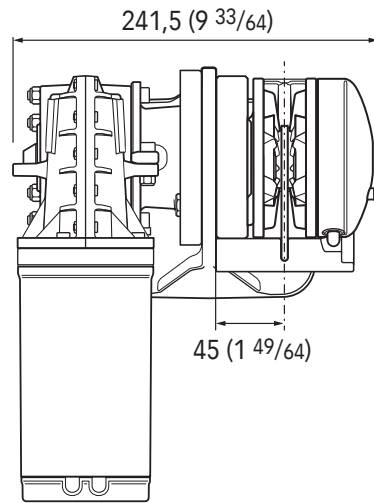


POS.	NAME	
21 A	OSP MOTORGearBOX 600W 12V QUICK REV1	FVSSR0612Q00B00
21B	OSP MOTORGearBOX 600W 24V QUICK REV1	FVSSR0624Q00B00
21C	OSP MOTORGearBOX 900W 12V QUICK REV1	FVSSR0912Q00B00
21D	OSP MOTORGearBOX 900W 24V QUICK REV1	FVSSR0924Q00B00
21E	OSP MOTORGearBOX 1200W 12V QUICK REV1	FVSSR1212Q00B00
21F	OSP MOTORGearBOX 1200W 24V QUICK REV1	FVSSR1224Q00B00
22 A	OSP MOTORGearBOX 1500W 12V QUICK REV1	FVSSR1215Q00B00
22B	OSP MOTORGearBOX 1500W 24V QUICK REV1	FVSSR1524Q00B00
23 A	OSP WINDLASS MOTOR 600W 12V	FVSSM0612000A00
23B	OSP WINDLASS MOTOR 600W 24V	FVSSM0624000A00
23C	OSP WINDLASS MOTOR 900W 12V	FVSSM0912000A00
23D	OSP WINDLASS MOTOR 900W 24V	FVSSM0924000A00
23E	OSP WINDLASS MOTOR 1200W 12V	FVSSM1212000A00
23F	OSP WINDLASS MOTOR 1200W 24V	FVSSM1224000A00
24 A	OSP WINDLASS MOTOR 1500W 12V	FVSSM1512000A00
24B	OSP WINDLASS MOTOR 1500W 24V	FVSSM1524000A00

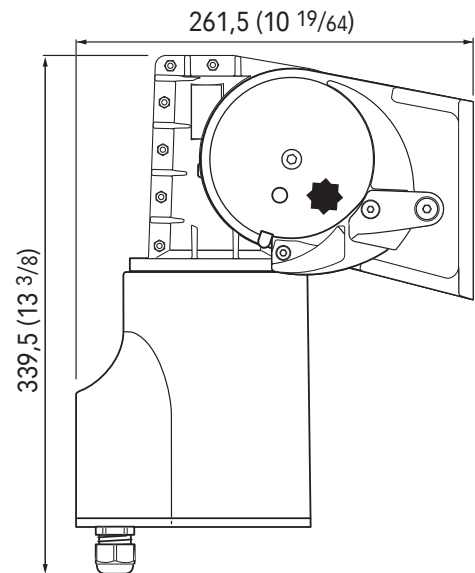
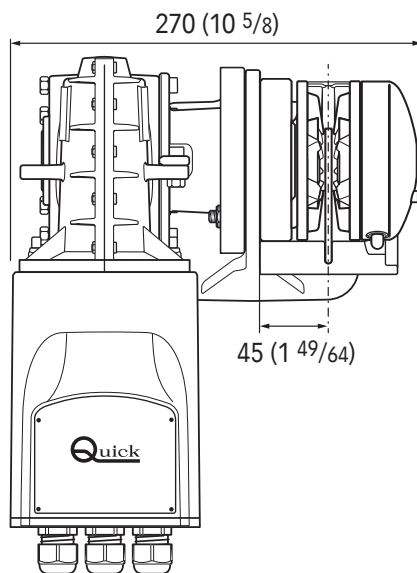


11.0 - BL2 dimensions

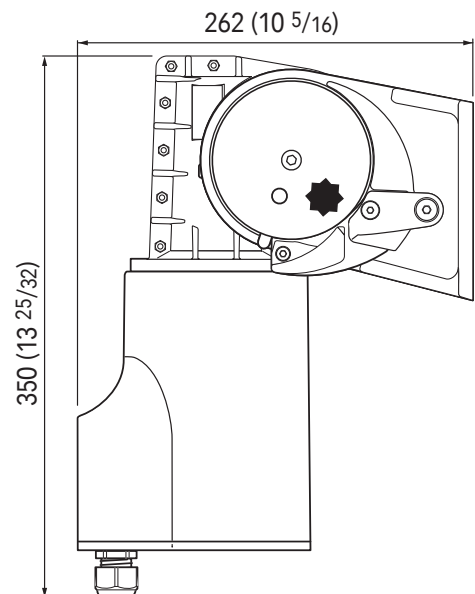
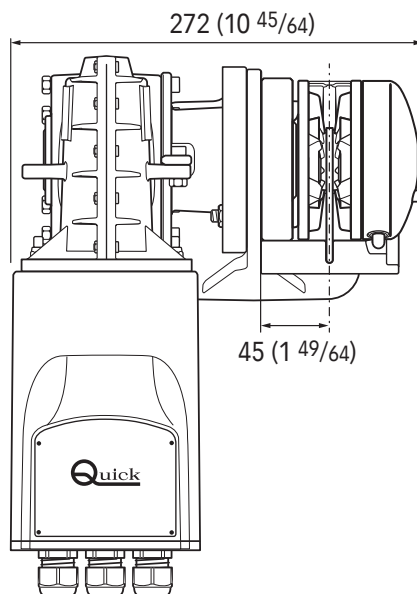
BL2 600



BL2 900



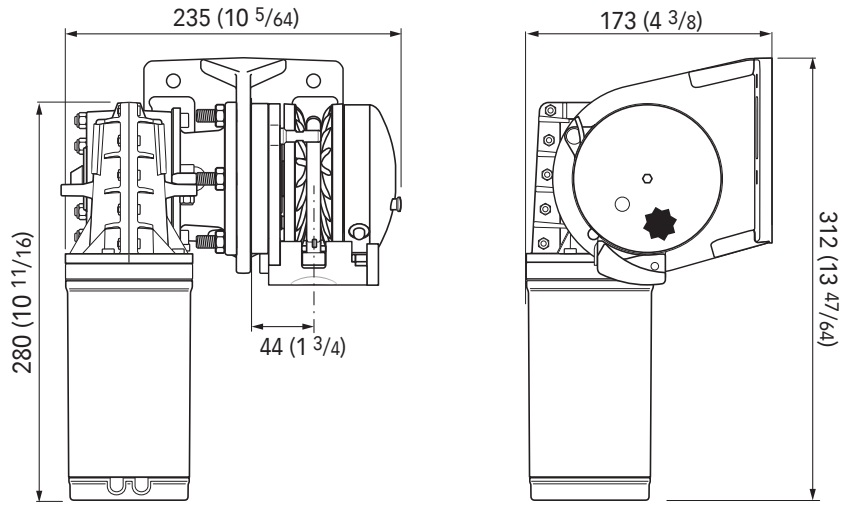
BL2 1200



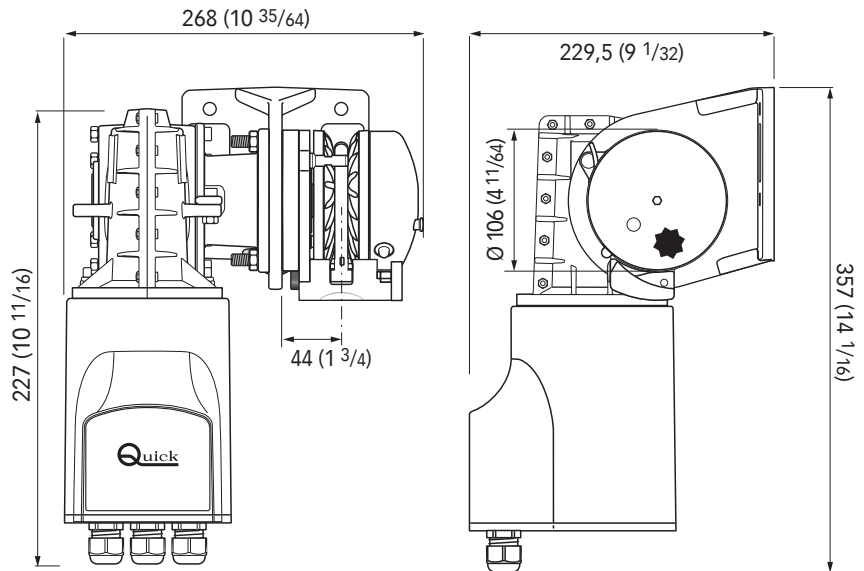


11.1 - BL2 R dimensions

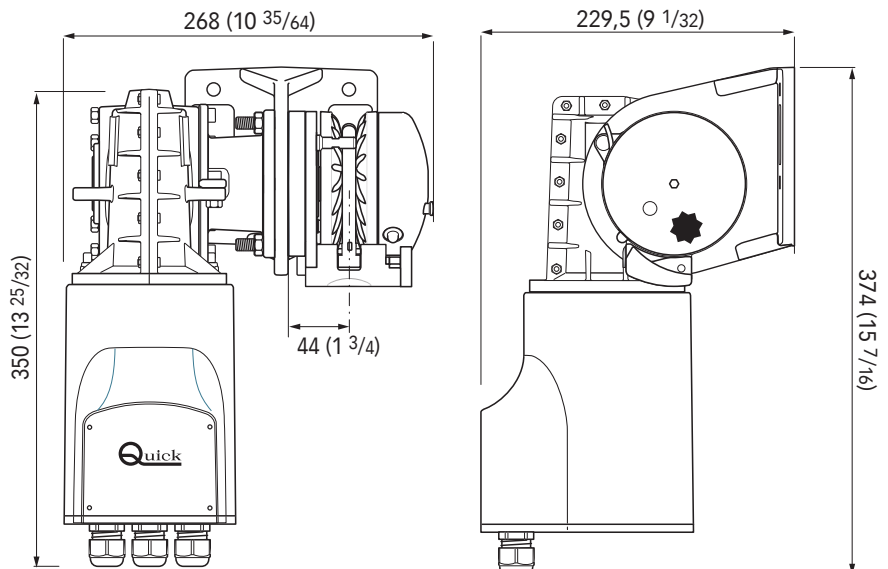
BL2 R 600



BL2 R 900



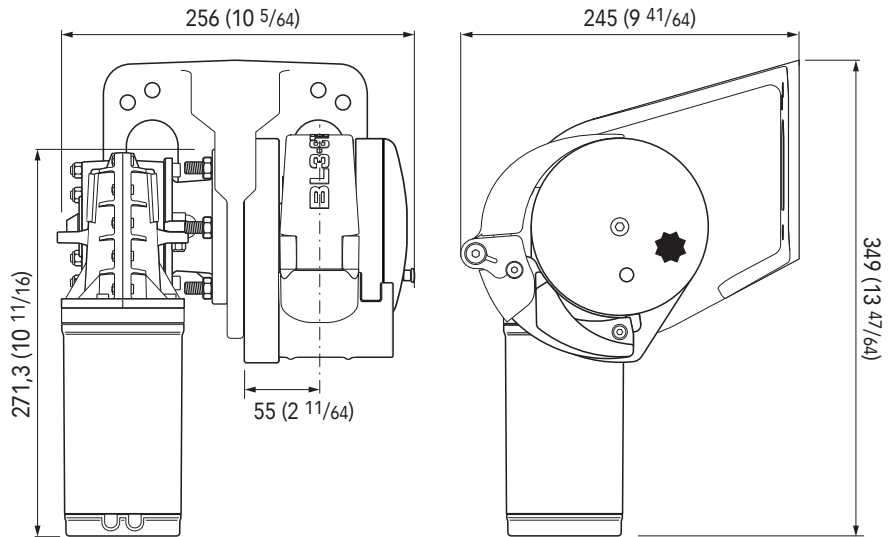
BL2 R 1200



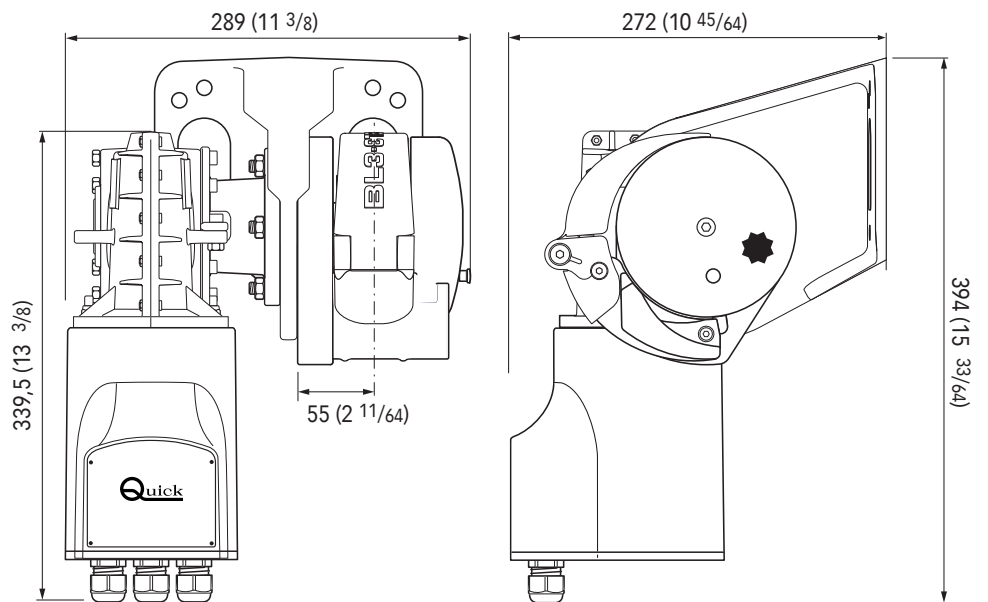


11.2 - BL3 dimensions

BL3 600

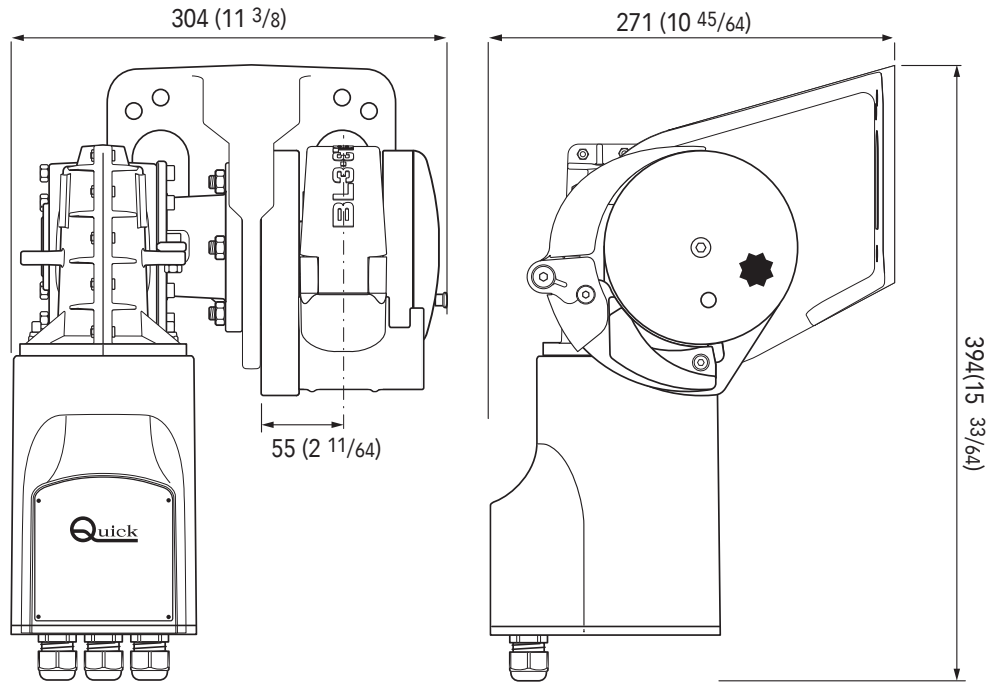


BL3 900

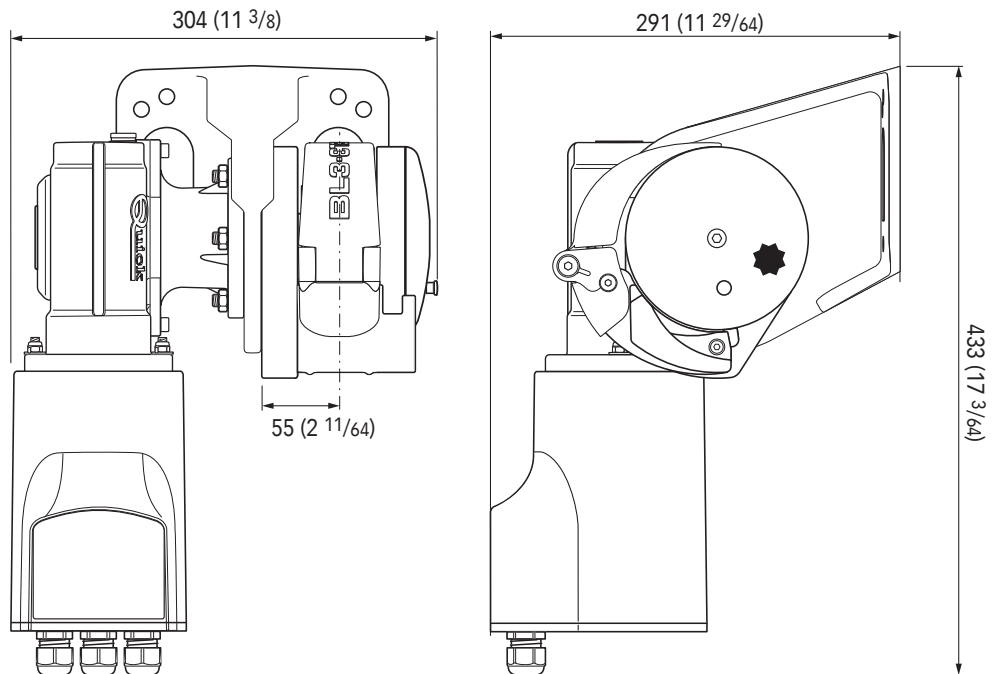




BL3 1200



BL3 1500



BL Series

REV 000A

CE

UK
CA

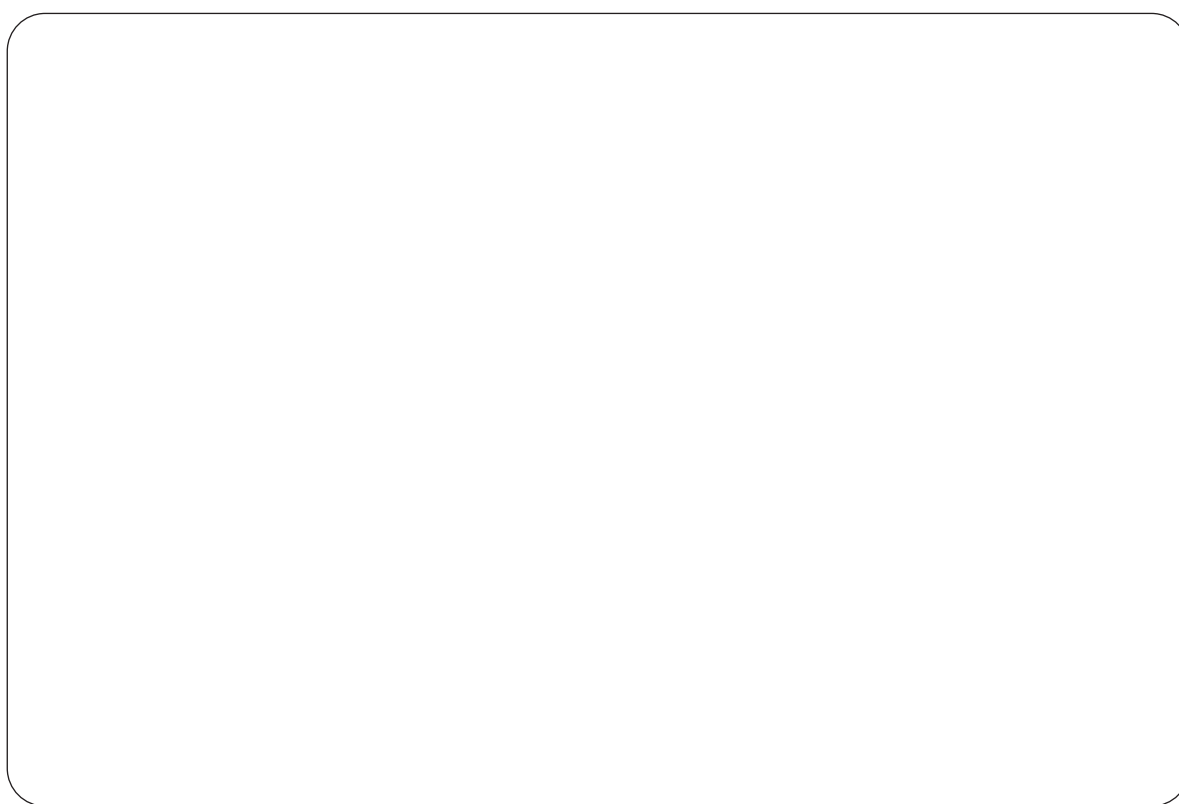
Januar, 2023

VERTICAL WINDLASSES

BL2 P FF/0 Y/X 600 900 1200

BL2R P FF/0 Y/X 600 900 1200

BL3 P FF X 600 900 1500



Product serial number

