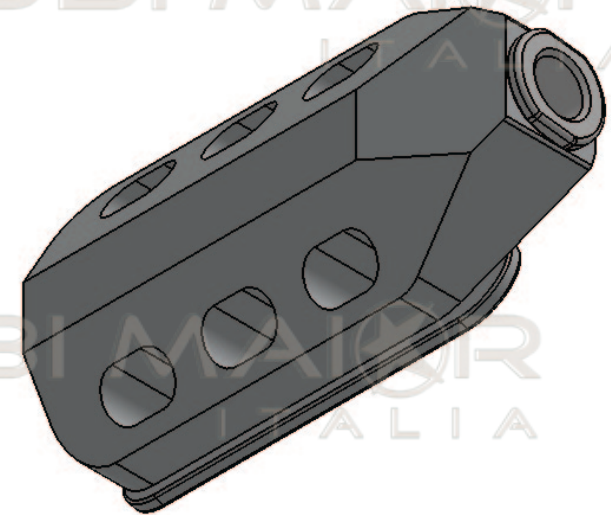
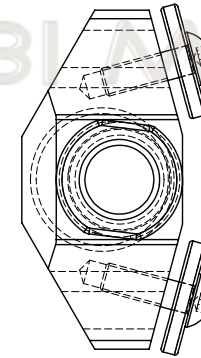



M10, M12, M14 THREAD



RECOMMENDED FOR BOATS FROM 55 UP TO 80 FEET

MODELLO MODEL	MATERIALE CORPO MATERIAL BODY	PESO WEIGHT	COLORI DISPONIBILI AVAILABLE COLOR	DISPONIBILE PER STECCA TONDA DA 18MM O 22MM AVAILABLE FOR ROUND BATTEN 18MM OR 22MM
PS70N	Aluminium Alloy 6082T6	[gr] 280	<input type="checkbox"/> <input checked="" type="checkbox"/>	PS70N-18 PS70N-22

Disponibile con viteria in titanio / Available whit titanium screws

Model	PS70N
Line	 ACCESSORI
Table	SPECIFICATION SHEET
Format Size	A4
<small>This document and the design on it is the exclusive property of UBI MAIOR ITALIA® and is the subject of copyright Brand by Dini s.r.l., Meccanica di Precisione</small>	
