



**ULTIMATRON  
FRANCE**

**5 YEARS  
WARRANTY**

## Technical sheet

ULTIMATRON LiFePO4 Smart BMS 12.8V 560Ah

Compared with traditional batteries, our lithium iron phosphate batteries (LiFePO4) has many advantages:

- 5 year manufacturer's warranty
- The safest technology, without risk of fire or explosion
- Long service life
- Constantly improving storage capacity
- High stability even under extreme loads
- No memory effect, no need for full charge and discharge cycles
- High performance even under extreme conditions
- Deep and regular discharge and charging efficiency
- Small size and light weight

### Integrated Battery Management System (BMS)

To allow the control and the charge of the different elements of an accumulator battery and to protect it against overcharging, overvoltages and overheating.



It can be connected in parallel. Series connection is not allowed.

### Integrated Bluetooth 4.0 monitoring



You have all important battery data always on your smartphone or tablet. The application displays the data in real time.

MARQUE FRANÇAISE





**ULTIMATRON  
FRANCE**

# TECHNICAL SHEET

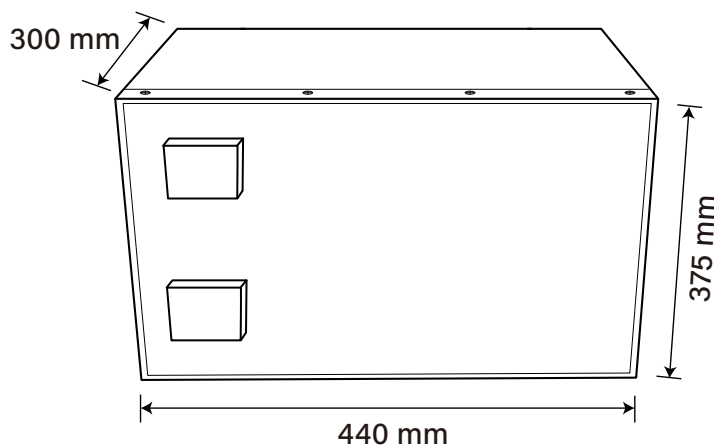
## ULM SMART BMS SERIE 12.8V

### ULTIMATRON LiFePO4 Smart BMS 12.8V 560Ah

#### ELECTRICAL PERFORMANCE

Nominal Voltage	12.8 V
Nominal Capacity	560 Ah
Capacity @ 120A	300 min
Energy	7168 Wh
Resistance	≤30 mΩ @ 50% SOC
Self Discharge	<3% / Month
Cells	Prismatic Cell 3.2V280Ah

#### DIMENSION



Dimensions L440 \* W300 \* H375 mm

#### CHARGE PERFORMANCE

Recommended Charge Current	60 A
Maximum Charge Current	200 A
Recommended Charge Voltage	14.6 V
Charge Cut-Off Voltage	<14.8 V (0.5 ~ 1.5 s)
Reconnect Voltage	>14.4 V
Balancing Voltage	<14 V

#### DISCHARGE PERFORMANCE

Continuous Discharge Current	120 A
Maximum continuous Discharge Current	200 A
Peak Discharge Cut-Off Current	600 A (1s)
Recommended Low Voltage Disconnect	10 V
Discharge Cut-Off Voltage	>9.6 V (50 ~ 150 ms)
Reconnect Voltage	>11 V
Short Circuit Protection	200 ~ 600 μs

#### TEMPERATURE PERFORMANCE

Discharge Temperature	-20 ~ 60 °C
Charge Temperature	0 ~ 45 °C
Storage Temperature	-5 ~ 35 °C
High Temperature Cut-Off	65 °C
Reconnect Temperature	48 °C

#### MECHANICAL PERFORMANCE

Dimension (L x W x H)	L440 * W300 * H375 mm
Weight	56 kg
Terminal Type	M8
Terminal Torque	80 ~ 100 in-lbs (9 ~ 11 N-m)
Bluetooth	Bluetooth 4.0 with smartphone app
Case Material	Metal
Enclosure Protection	IP65

#### COMPLIANCE

Certifications	CE UN38.3 UL1642 & IEC62133
Shipping Classification	UN 3480, CLASS 9

**ULTIMATRON FRANCE**

Add: 60 Avenue de l'industrie 34820 Teyran, France

✉ info@ultimatron-france.fr

☎ Tel:+33(0)9 50 42 76 17

