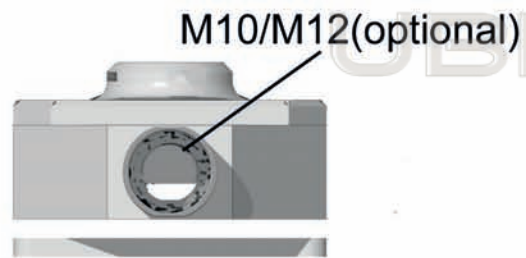
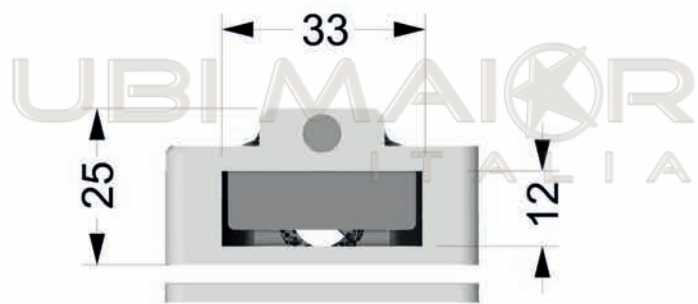




UBI MAIOR
ITALIA



RECOMMENDED FOR BOATS FROM 45 UP TO 55 FEET

MODELLO MODEL	MATERIALE CORPO MATERIAL BODY	PESO WEIGHT [gr]	COLORI DISPONIBILI AVAILABLE COLOR	COLORI PERSONALIZZAZIONE COVER CUSTOMIZE COLORS COVER
PS50L	Aluminium Alloy 6082T6	240	<input type="checkbox"/> <input type="checkbox"/>	According to the quantity

Model	PS50L
Line	 ACCESSORI
Table	SPECIFICATION SHEET
Format Size	A4
<small>This document and the design on it is the exclusive property of UBI MAIOR ITALIA® and is the subject of copyright Brand by Dini s.r.l., Meccanica di Precisione</small>	
 UBI MAIOR ITALIA	