

USER MANUAL

“ FR FURLERS “

ALL MODELS

INDEX

1. GENERAL DESCRIPTION.....	3
2. RECOMMENDATIONS FOR USE.....	3
3. ILLUSTRATIONS FOR USE.....	4
4. SIZING GUIDE.....	5
5. SAFETY TAB, ADJUSTEMENT OF THE DRUM, FREE TACK.....	6
6. MAINTENANCE.....	7
7. IMPORTANT NOTE.....	7
8. WARRANTY.....	7

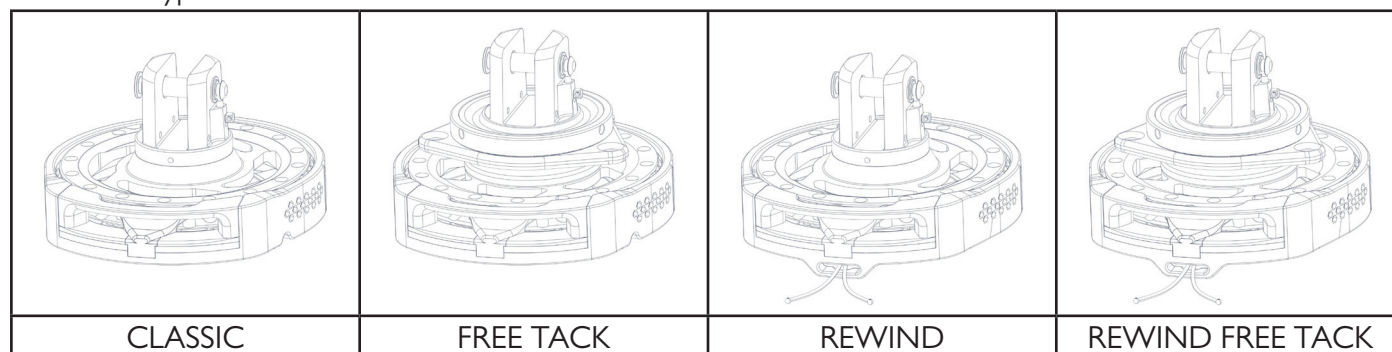
I. GENERAL DESCRIPTION

The FR Furlers UBI MAIOR ITALIA® per range of furlers for Asymmetrical Spinnakers and Code Zero sails are designed to furl and unfurl reaching sails. To guarantee reliable operation and durability, these furlers are machined from bar stock of a high-resistance aluminium alloy using CNC technology. The drum and head are machined from a single piece of aluminum 6082T6 and contain cylindrical roller thrust bearings featuring the best characteristics for this use and which ensures a smooth running of the sheet allowing precise control for a perfectly furled sail even under heavy loads. Areas exposed to potential galvanic corrosion are treated to ensure that the dissimilar materials are adequately isolated. The body of the furler is specially designed to ensure the safety of the device under normal use.

Each furler comprises of the following components:

- Drum
- Swivel
- HR shackle for swivel

There are 4 types of drum:



A range of ACCESSORIES designed specifically for FR FURLERS UBI MAIOR ITALIA® are available.

For more information and details visit www.ubimajoritalia.com

2. RECOMMENDATIONS FOR USE

- These furlers are designed to be used exclusively on sailing boats, for use under normal circumstances with standard rigging.
- Please read the user manual prior to installation and before starting to use the equipment.
- In order to ensure the correct functioning of the torque mechanism of the furler, and the device as a whole, an anti-torsion cable with high quality anti-torsion properties has to be installed on the luff of the sail. It can also be installed on a structural forestay.
- When using the LOOP, it is important that the working angle does not put pressure on the stainless steel safety tab on the winder; should this not be possible, then adjust the angle by using an additional cheek block if necessary.
- Always wear protective gloves when operating the furling line!

3. ILLUSTRATION FOR USE

Inserting the LOOP line:



Use of the ratchet system in the REWIND® model:



For additional information and videos for use visit www.ubimaioritalia.com

4. SIZING GUIDE

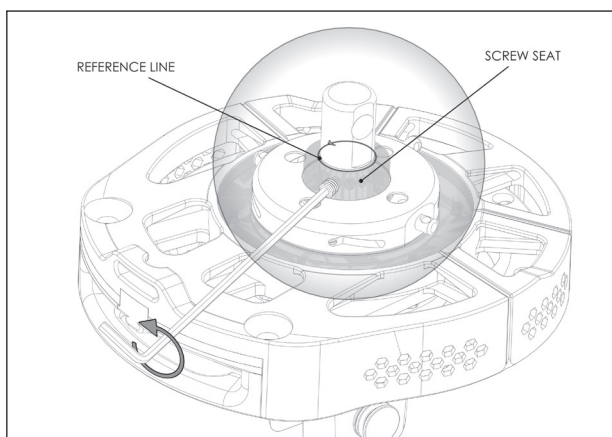
The UBI MAIOR ITALIA® range offers furlers in various sizes, the table below can be used as a guidance for Maximum Working Load the furlers can support:

SERIE	Ø ROLLER DRUM [mm]	Ø LINE [mm]	MAX WORKING LOAD [kg]	BREAKING LOAD [kg]
FR87L	87	6	500	1000
FR87	87	6	750	1500
FR100	100	8	1500	3000
FR125	125	8	3000	6000
FR150	150	10	5000	10000
FR200	200	10	7500	15000
FR250	250	10	10000	20000
FR250H	250	10	13000	26000

Furler model recommended for an average boat in the length range below and sail area:

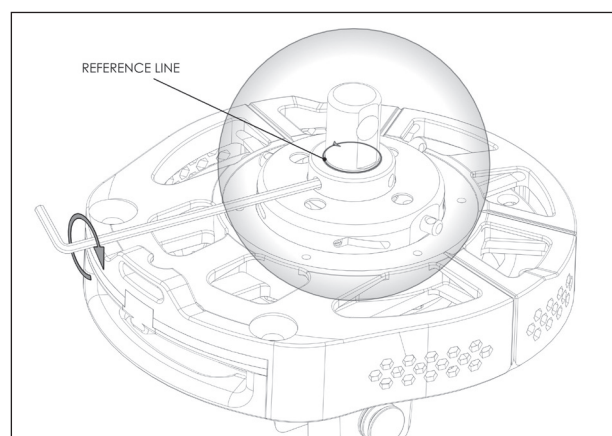
SERIE	BOAT SIZE [ft]	MAX SAILS AREA ON MONOHULLS [mm]
FR87L	18<	20
FR87	18 - 26	30
FR100	26 - 36	70
FR125	36 - 42	120
FR150	42 - 54	170
FR200	54 - 70	260
FR250	70 - 80	310
FR250H	80 - 100	450

5. SAFETY TAB, ADJUSTEMENT OF THE DRUM, FREE TACK



By loosening the 3 screws under the drum it is possible to orient the mouth of the furler.

When tightening the screws again, make sure to insert them in the seats on the central pin. Help yourself with the reference line.



On free tack models; be sure to lash the sail tack as shown so that the ball bearings (or X-Bearing system) are evenly loaded.

6. MAINTENANCE

All UBI MAIOR ITALIA® equipment is designed so that it requires only minimal maintenance. In order for the warranty to remain valid the furler must be used for their intended applications only and within the specifications and MWL's. All products can be disassembled for easy cleaning and maintenance.

The following maintenance should be carried out on a regular basis:

- The furler should be checked frequently for damage in general, and compromised structural components in particular.
- Metal shackles that show cracks, corrosion or are stretched should be replaced.
- To keep the furler in sound condition it should be rinsed with fresh water after every use.
- Periodically it should be washed with a mild detergent and fresh water to remove salt and other impurities.
- In particular for furler models with a REWIND® it is recommended that the selector ratchet system always be kept clean and lubricated with suitable products (eg. Silicone grease or similar).

7. IMPORTANT NOTE

- Make sure that the loop on the selector of the REWIND® models is always clear from the furling loop and positioned so that it can be reached quickly and safely.
- Remove the loop of the furler when not in use.
- Remove the device during periods of inactivity / boat maintenance.
- Always check for wear and tear on the operating lines and loops (REWIND®).
- Do not disassemble the product if you do not actually need to.
- The device should only be disassembled by a qualified person familiar with the product.
- Disassemble the furler on a flat and clean surface.
- Screws should be put back in place with a low-strength thread-locker, e.g. Loctite® blue.
- Do not use the device for the lifting or suspension of people.
- Keep the product away from heat sources.

8. WARRANTY

- For the Terms of Warranty please visit www.ubimaioritalia.com
- For more information, refer to the Consumer Code (d.lgs.206 / 05, art. 128-135) and / or the Italian Civil Code.