

TruDesign Aquavalue (Y Valve)



Legislation in many countries dictates the use of holding tanks near shore, or in defined areas. By installing a diverting valve (Y Valve), the user has the choice to divert black water to a holding tank or directly overboard when circumstances allow.

Feature	Benefit
Manufactured from a glass reinforced nylon composite	High strength and light weight.
Stainless steel fasteners	Will not corrode in salt laden air.
Easy installation	With a range of straight, 90° and 120° tails, and two seal options, plumbing in confined spaces is made easy.
Clear and easy to understand labeling of positions	OPEN (in green) shows direction of flow. Valve handle has a red "closed" arrow. Shows the closed port.
Handle position lockable	Enables handle to be locked into the holding tank position when in 'no discharge' zones
Available in black or white	Fits in with colour schemes in plumbing areas allowing easy identification of components.
Pressure tested	All valves are pressure tested to ensure quality and safety in respect to sealing and operation.
Silicon seal	Smooth movement, excellent sealing with good wear resistance.
Composite spanner included	Facilitates access in tight places.
Through Bulkhead Model and change kit available	Can fit valve behind a bulkhead with only handle and fascia plate on user side.
Large operating temperature range	Suitable for all marine environments, from -40°C to +110°C

Installation Configurations.

The Y valve comes standard without tails (Barbs). The user is given the choice to choose the correct diameter tail to suit –

Straight Tail sizes are - 19mm, 25mm, 32mm and 38mm.

120° and 90° tail sizes are – 25mm and 38mm.



Installation Configurations - continued.

The reversible fascia allows added flexibility when installing. Set up the plumbing, and then install the fascia to suit the direction of the hoses.



PVC Pipe adaptor - Some installers prefer to use PVC pipe rather than sanitation hose. The TruDesign threaded connector can be used in this instance. Part # 90461



Capping a port – One port can be blocked by using the TruDesign plug – Part # 90237

Models

Part #	Description
90314	Aquavalue White
90312	Aquavalue Black

Installation and Washing Recommendations

Heads flushed with salt water accumulate scale deposits in the discharge hoses and Y Valve. Possibly causing the valve to progressively get harder to turn. If using a muriatic acid type wash to dissolve scale deposits. Dilute to a 10% solution concentration and then flush through with salt water or fresh afterwards.

The Aquavalve is resistant to most chemicals used in toilets. Recommendations from toilet manufacturers should be followed with regards to chemicals and lubrication.

As per marine toilet use best practice, all waste should be fully flushed through the valve and hoses into the holding tank (or overboard) to reduce the chance of buildup and permeation issues.

The Aquavalve is a diverting valve. The rotor seal is designed to operate under low pressure. For Vacuum operated toilets, the valve must be placed in the “no vacuum” side of the installation.

If the direction of the tail offered by the red seal inside the Aquavalve does not suit. A blue seal is supplied with every 120° & 90° hose tail (hose barb) this enables the user to orientate the tail (Barb) in a different direction better suited for the new install.

Use two hose clips to fasten hoses to the tail (Barb) to ensure no leakage occurs.



Servicing

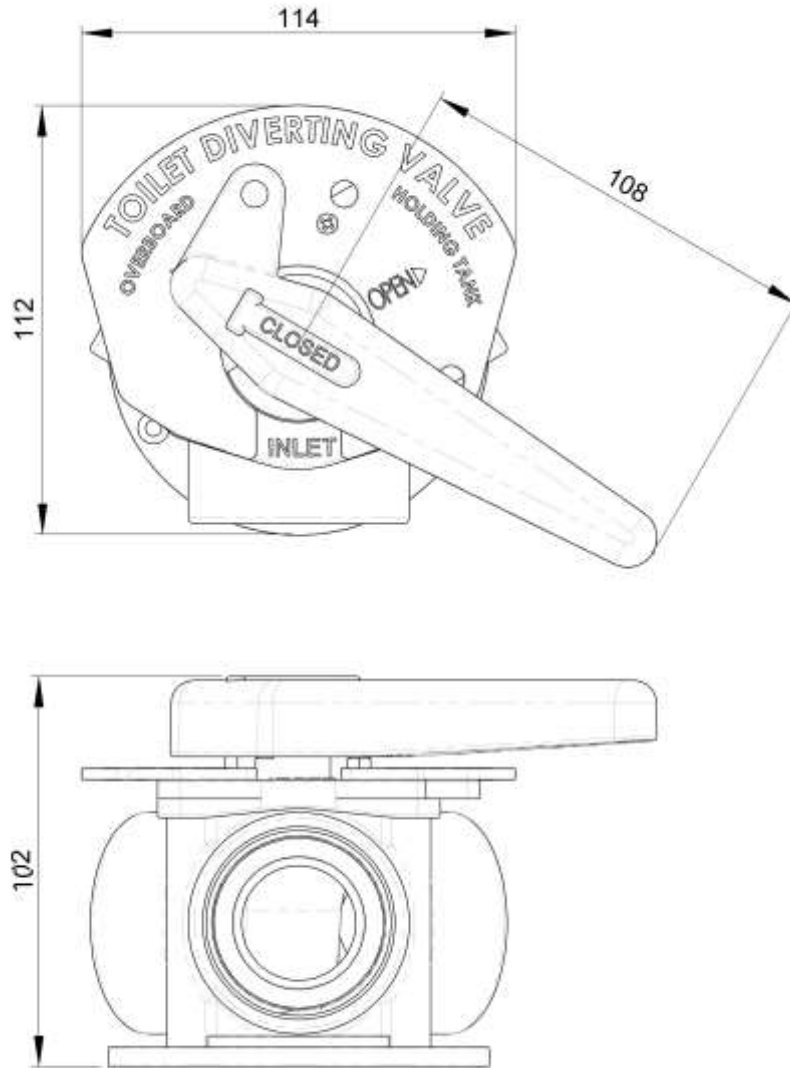
It is recommended that the seal is greased regularly with Silicone grease and scale build up removed from the inside of the valve. A service kit is available if the seal needs replacing. The service kit includes grease and seals.

The spanner can often be misplaced, so when changing plumbing layouts etc, a new spanner can be supplied.

Part #	Description
90317	Spanner Aquavalve
90976	Lube Case with Silicone
90316	Seal Kit Aquavalve Silicone
90475	Aquavalve Red Seal
90327	Aquavalve Blue Seal



Dimensions - All dimensions in mm.



The information contained in this information sheet is for general information purposes only. The information is provided by TruDesign™ and while we endeavour to keep the information up to date and correct, we make no representations or warranties of any kind, express or implied, about the completeness, accuracy, reliability, suitability or availability. Any reliance you place on such information is therefore strictly at your