

isotemp

Isotemp Basic, Slim & Slim Square

Marine water heater – Scaldabagno náutico –
Marine Warmwasserberierter – Chauffe-eau marine –
Marin varmvattenberedare – Calentador de agua náutico –
Marine tapwaterboiler – Морской водонагреватель



- GB - Operators Manual
- IT - Manuale istruzioni
- DE - Bedienungsanleitung
- FR - Manuel d'utilisation
- SE - Bruksanvisning
- ES - Manual de operación
- NL - Gebruiksaanwijzing
- RU - Инструкция для ползвателя

indel
Webasto
Marine

Indel Webasto Marine Srl
Via Montefeltro, n° 118/c - Secchiano
47863 - Novafeltria (RN) - ITALY
Tel. +39 0541 848030
E-MAIL: info@indelwebastomarine.com
WEB: www.indelwebastomarine.com

Notes:

Table of contents

1. Safety instructions
2. Locating the tank
3. Mounting
4. Connections
 - 4.1 Fittings
 - 4.2 Hoses
 - 4.3 Connections to engine
 - 4.4 Freshwater system connections
 - 4.5 Electrical connections
5. Start up/Test
6. Maintenance
 - 6.1 Pressure relief device / Safety valve
 - 6.2 Winterization
 - 6.3 Replacing thermostat
 - 6.4 Replacing heater element
7. Double heat exchanger
8. Technical data
 - 8.1 Basic
 - 8.2 Slim
 - 8.3 Slim Square
9. Warranty

1 Safety instructions

This manual has been compiled to help you to operate your water heater with safety and pleasure. It contains information about operation and maintenance.

Please read it carefully and make yourself familiar with the product and keep this manual in a safe place on board.

It is important that your water heater is correctly installed and maintained. During the winter period when the unit is not being used it is essential that it is drained to avoid risk of damage due to freezing. Every single water heater is individually pressure tested prior to delivery and carries a two year factory warranty in respect of defects in material and/or manufacture.

Indel Webasto Marine S.r.l. accepts no responsibility or liability for damage to equipment, injury to personnel that may result from improper installation or operation of this product.



Danger!

All electrical installations on board must be carried out by authorized specialists. The water heater must be properly grounded to the AC system.



Danger!

Always use recommended wire size, fuse/circuit breaker and a GFC-breaker.



Warning!

If the supply cord is damaged, it must be replaced by the manufacturer, its service agent or similarly qualified person in order to avoid a hazard.



Warning!

Do not connect the heater element to the power net until the water heater tank is filled with water.



Warning!

Only pure and drinkable freshwater must be used, salt (chlorides) must be less than 50 mg/Lt and electrical conductivity must be less than 200 μ S/cm. This is a condition for the validity of the warranty because if this is not respected the stainless steel in the tank can be damaged.



Warning!

Risk of scalding, the hot water in the water heater will be as hot as the engine.

Caution!

Consider the chapter 4.5 electrical connections regarding risk of corrosion in connection with shore power.

Caution!

Follow carefully the engine manufacturers instructions regarding connection to the engine cooling system.

Caution!

When there is a risk of freezing see chapter 6.2.




Warning!

This appliance can be used by children aged from 8 years and above and persons with reduced physical, sensory or mental capabilities, or lack experience and knowledge, if they have been given supervision or instruction concerning use of the appliance in a safe way and understand the hazards involved. Children shall not play with the appliance. Cleaning and user maintenance shall not be made by children without supervision.

Environment:

This appliance is marked according to the European directive 2012/19/EU on Waste Electrical and Electronic Equipment (WEEE).

By ensuring this product is disposed of correctly, you will help prevent potential negative consequences for the environment and human health, which could otherwise be caused by inappropriate waste handling of this product.

The symbol  on the product, or on the accompanying documents indicates that this appliance may not be treated as household waste.

Instead it should be handed over to the applicable collection point for the recycling of electrical and electronic equipment. Disposal must be carried out in accordance with local environmental regulations for waste disposal. For more detailed information about treatment, recovery and recycling of this product, please contact your local city office, your household waste disposal service or the shop where you purchased the product.

2 Locating the tank

The water heater can be mounted anywhere on the vessel as long as the connections to the engine heat exchanger are below the engine header tank (Fig. 1). It is best to keep the length of the heat exchanger hoses short to keep flow resistance and heat loss to a minimum. In many installations the tank heat exchanger is simply connected in series with the engine coolant circuit. In some installations it is connected in parallel with a flow restrictor/diverter.

The choice depends on the specific recommendations of the engine manufacturer and or installer. Please consult the manufacturer or dealer of your engine for any recommendations they may have for connecting to the engine cooling system.

In case the tank has to be placed above the engine header tank, the engine water hose circuit must be equipped with an air bleeder valve on the highest point. This is available as an extra equipment.

Principal connection diagram

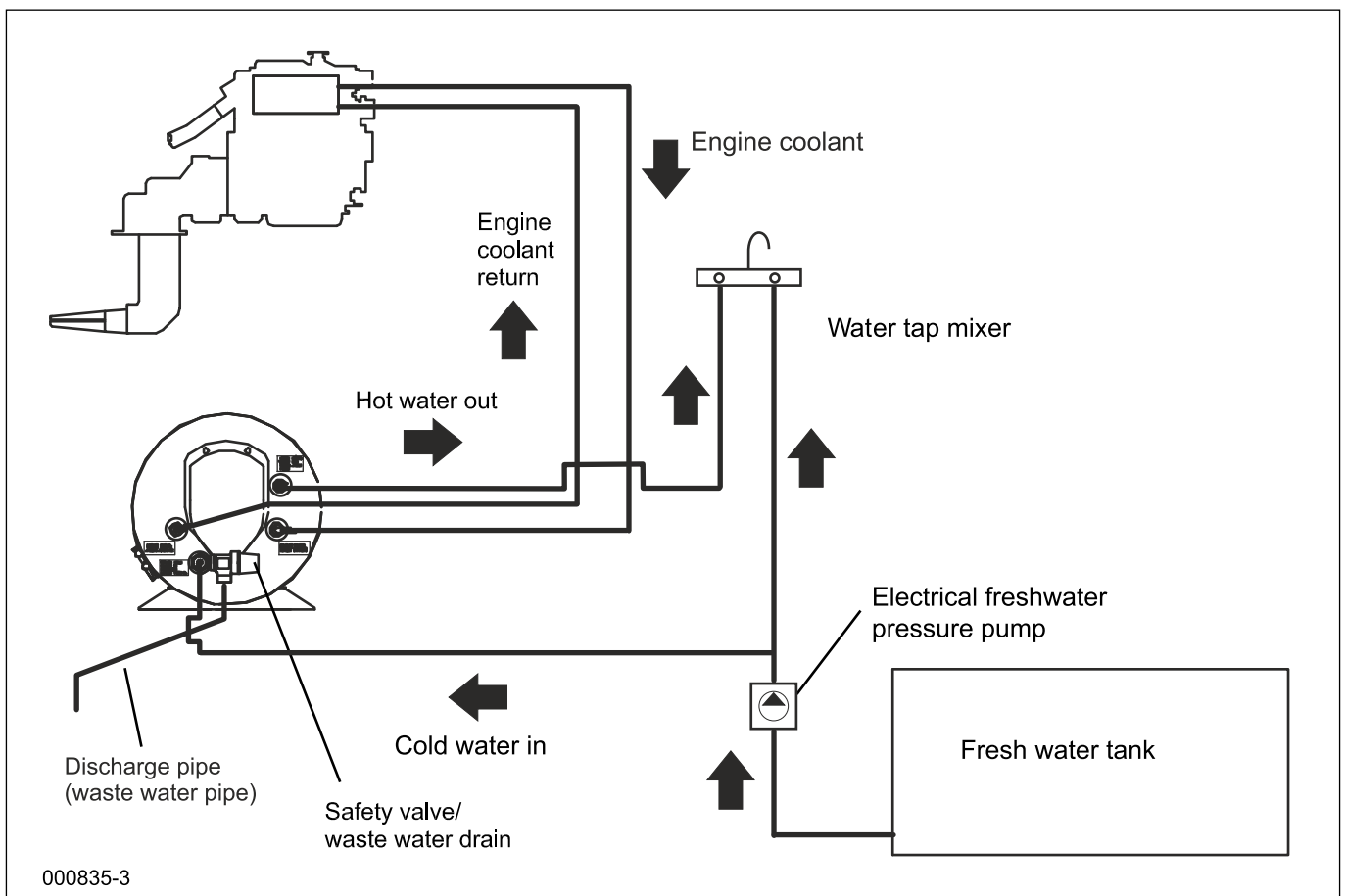


Fig. 1

3. Mounting

The Isotemp Basic, Slim & Slim Square water heaters are designed to give excellent performance when mounted horizontally and vertically. The drain / safety valve must always be at the lowest point. The mounting brackets can be adjusted to the side on Basic and Slim for mounting the tank on a bulkhead. Always mount the tank to a suitable shelf or bulkhead and keep in mind the extra weight of the tank when it is full of water. See alternative mounting positions fig. 2.

Slim Square can be standing or laying down flat, or placed in other alternative positions as seen in fig. 7. Fig. 3 shows Basic, fig. 4 Basic with double coils, fig. 5 – Slim and fig. 6 – Slim Square water hose connections.

It is to prefer to keep about 30 cm (1 ft.) free space in front of the water heater for future service measures.

Isotemp Basic & Slim

Mounting alternatives, horizontal or vertical.

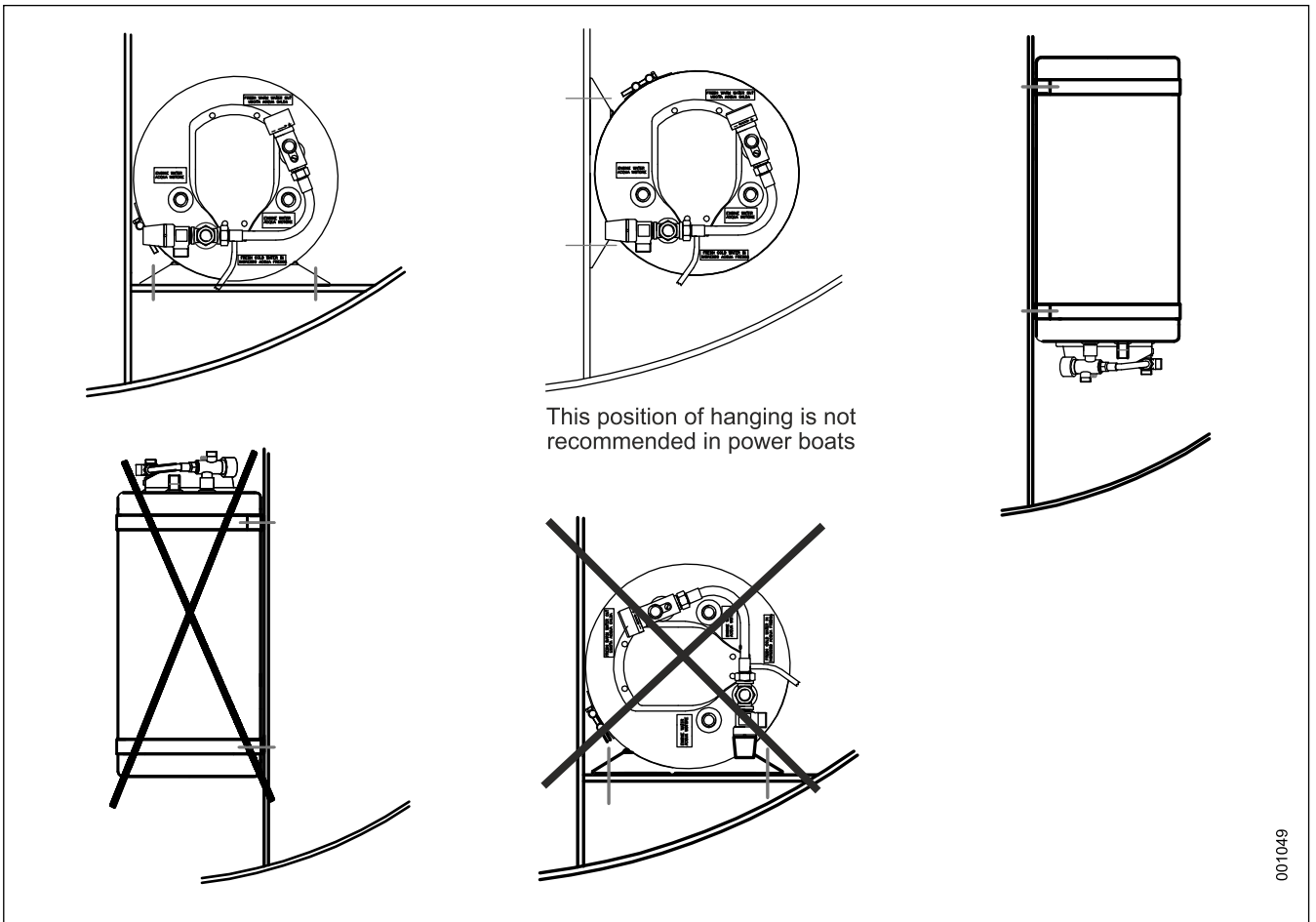


Fig. 2

Isotemp Basic without and with thermostat mixer valve

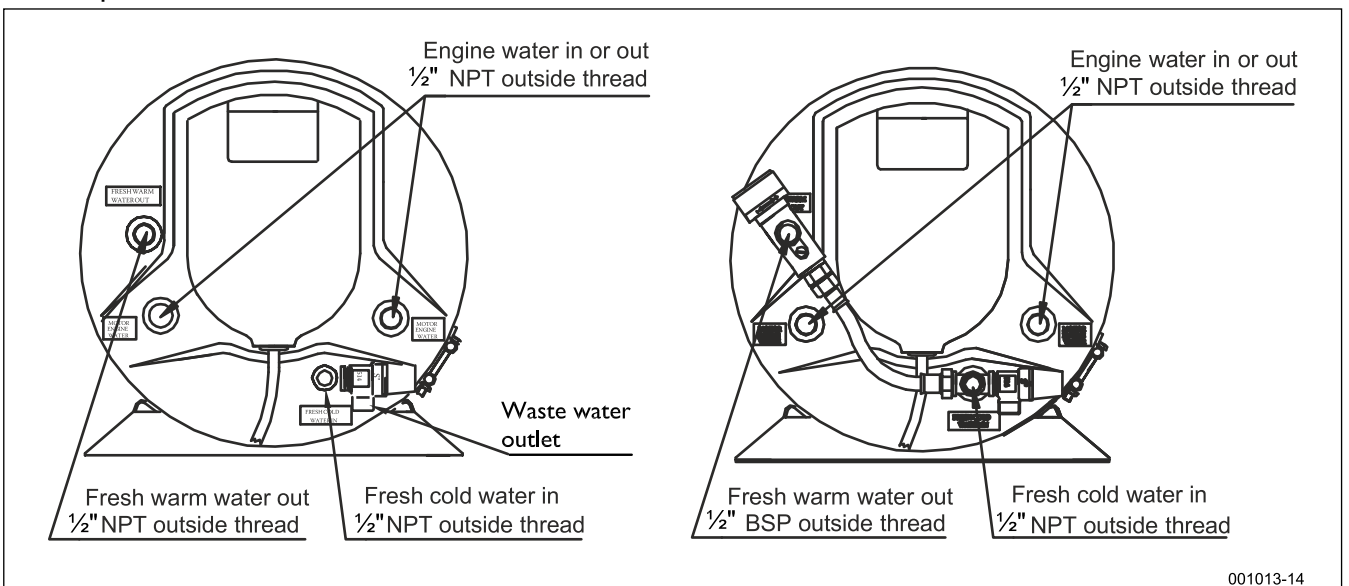


Fig. 3

Isotemp Basic with double coils, without and with thermostat mixer valve

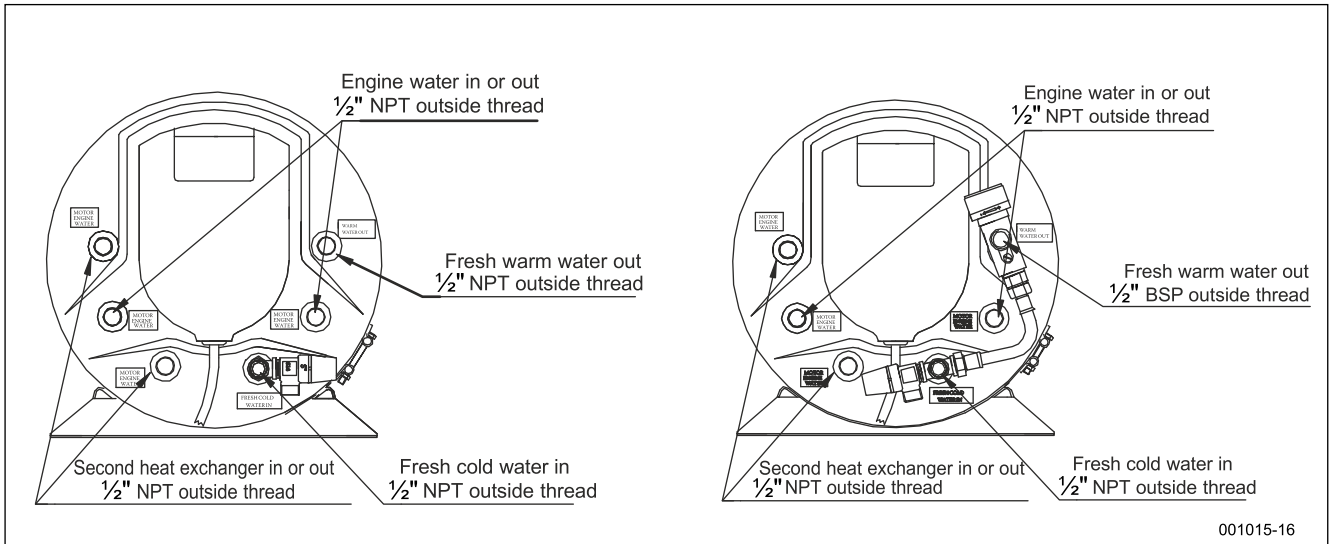


Fig.4

Isotemp Slim without and with thermostat mixer valve

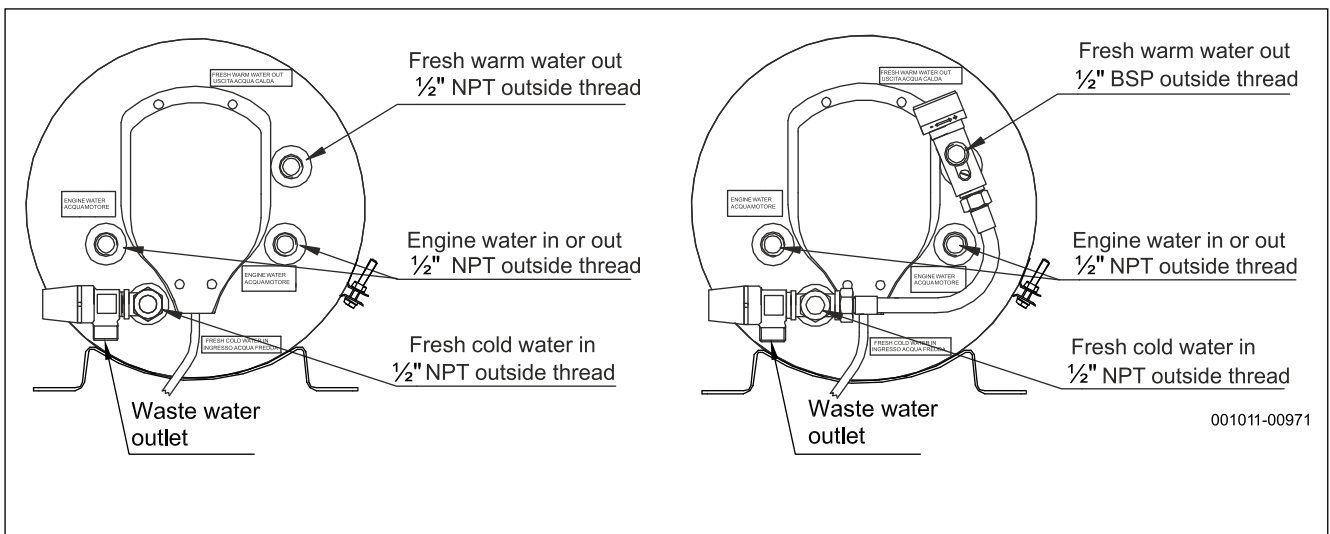


Fig. 5

Please Note:

Hose nipples with straight 1/2" BSP threads fits also to 1/2" NPT outside threads.

Slim Square without and with thermostat mixer valve

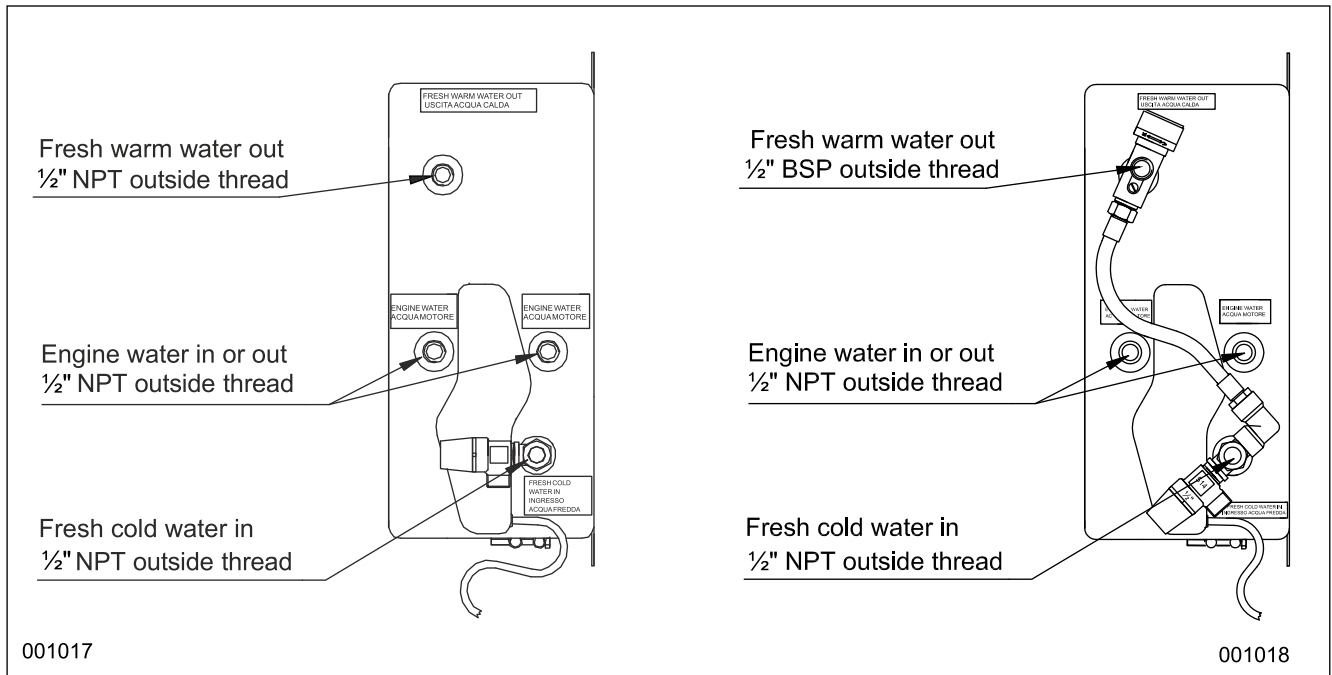


Fig. 6

Slim Square

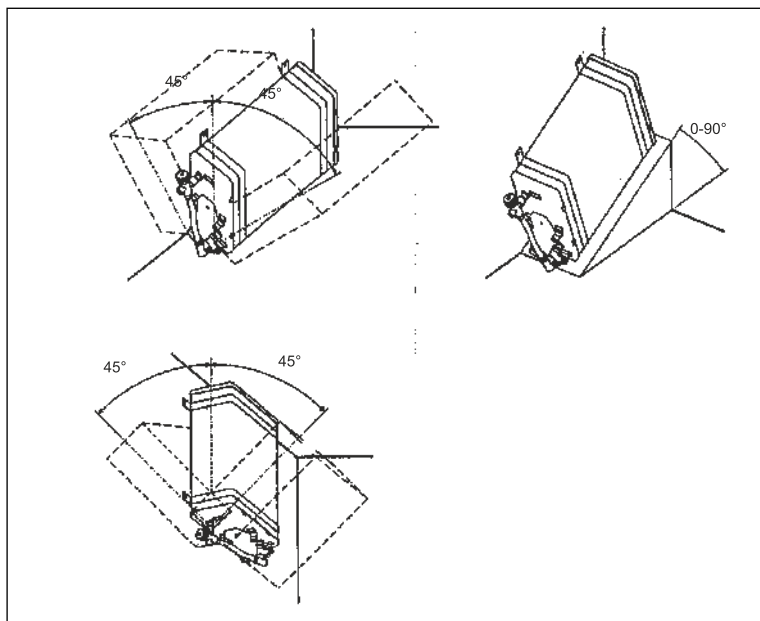


Fig. 7

Slim Square alternative mounting positions.
Remember, safety valve always at the lowest position.

4 Connections

4.1 Material:

Use only fittings and accessories made of non-corrosive material such as brass or stainless steel. Avoid plastic fittings on the water heater depending on the heat, unless they are specially made for this purpose. This is important, a leak in this area can cause a sudden engine overheat as well as a dangerous hot water spray.

4.2 Hoses:

For the engine connections, use heat resistant (100 °C / 210 °F) reinforced rubber hoses, resistant to anti-freeze and pressure approved for 5 bar / 70 psi. For the fresh water, cold inlet and warm outlet, use heat resistant fresh water hoses (food industry quality). They shall be rated 8 bar / 115 psi. Fasten the hoses carefully with hose clamps. Seal the threaded connections with e.g. Loctite 577 or Bondline T777. Hose nipples with thread G1/2" (1/2" BSP) fits the connectors on the water heater.

4.3 Connections to engine

(see connection diagram, fig. 1):

The water heater may be used with fresh water cooled engines. The flow of cooling water from the engine through the water heater should be at least 2 litres/min. If the boat has two engines, connect the water heater to

one engine only. When two water heaters are mounted, they shall be connected in parallel.

Connection to the engine shall be done with min. 5/8" / 16 mm hoses and adaptors to avoid restrictions. See the instructions in the engine operators manual, regarding hose connection points.

In the engine cooling circuit feeding the heat exchanger should be installed monitoring and control device with appropriate temperature setting which during normal operation to prevent the activation of the thermal cut-out of the electric heating element.

4.4 Freshwater connections

(see connection diagram, fig 1):

The water heater is fed with fresh water from the electrical pressure pump in the water system. Max working pressure for the pump: 3.8 bar / 55 psi.

Please note that the pressure relief valve on the tank is set to 7.0 bar /100 psi. Fresh water is taken in at the safety valve. The hot water outlet, which also vents the water heater, should be connected to a mixer tap at the sink and/or basin outlet.

Warning! Please note that the hot water is as hot as the engine, there is a risk of scalding! Mix in cold water at the taps. In case the water heater is equipped

with a tempering valve (thermostatic mixing valve) a proper temperature of the warm water can be set on the adjustable tempering valve to avoid scalding. The temperature can be set between 38 and 65 °C / 100 and 150 °F.

The discharge pipe (waste water hose) connected to the pressure-relief device (safety valve) must be installed in continuously downward direction, in a frost-free environment and must always have a free outlet. There must be no valves or skin fittings, fitted to the waste water hose. A small quantity of water can drain from the relief valve when the tank is heated. The water expands during heating. This is a normal situation and indicates the system works properly.

4.5 Electrical connections

(see wiring diagram fig. 8):

All internal connections are made in the factory. The power supply cable is fitted with a standard EU plug, which should be fitted to a correctly installed socket.

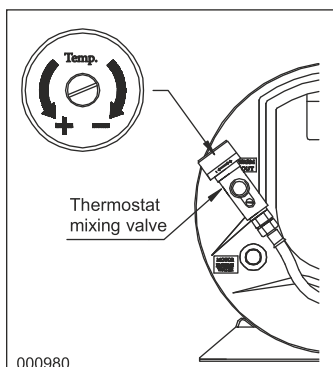
This socket, as all "high-voltage" installations on board, must be carried out by an authorized electrician to fulfill valid safety regulations. The water heater is designed to meet regulations in this field. The shore power system installation on board, must include a ground fault circuit interrupter.

When leaving the boat for longer periods, always unplug the cable connector from the socket. This should be done even if the shore power system is shut off, as there can be a difference in the electrical system, between the earth and the sea-water earth of the boat. This can seriously damage the water heater or the heating element.

Installation of an insulation transformer in the shore power equipment eliminates any risk of galvanic corrosion via the shore power connection.

Always unplug the heater and/or turn off all circuit breakers and disconnect shore power connections before removing the connection cover. The electrical circuit is controlled by a service thermostat set to 75°C / 167°F and a double overhear protector that is set to 96°C / 205°F. If the overhear protector trip, it has to be manually reset. This is done by pressing the small knob on top of the overhear protector.

See section 6.3.



Wiring diagram

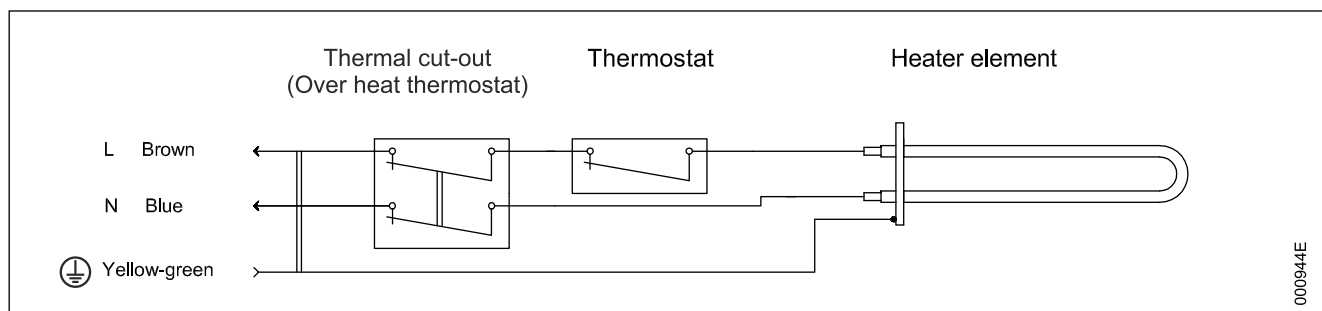


Fig. 8

5 Start up/test

Fill the hot water tank by turning on the water pressure pump and opening a hot water tap to allow air to bleed out of the hoses and / or plumbing. Check the drain and pressure relief valve by pushing the lever. Water will flow into the drain hose. Make sure the drain hose is not blocked or closed. Pull the lever back to closed position. Start the engine to check the circulation of the coolant.

It will be necessary to add coolant to the system to compensate for the additional volume of the exchanger and hoses. Check for air locks in the connecting hoses and raise and lower these as necessary to clear the air from the hoses before securing the hoses in place. Lastly plug in the tank and turn on the circuit breaker. Check for proper operation.

6 Maintenance

6.1 Pressure relief device / Safety valve

The pressure-relief device is to be operated regularly to remove lime deposits and to verify that it is not blocked.

6.2 Winter drain

When there is a risk of freezing the tank must be drained.

This is done by taking off the hot water hose or opening the air bleeder screw mounted on the mixing valve, if such a valve is mounted. Take the air screw away completely, and open the drain valve by turning the black knob anticlockwise one snap on the safety valve. The valve is closed again by tuning further one step anticlockwise. If the engine is raw-water cooled the heat exchanger must also be drained by removing the hoses and blowing air into the coils to drain any water. The tank can now be safely left in the vessel over the winter. When leaving the vessel for longer periods, it is recommended to take out the power cord to eliminate the risk of stray current from the shore power earth connections.

6.3 Replacing I re-setting thermostat

Warning: Be sure to turn power off first!

The immersion heater is 230 V~ or 115 V~. The thermostat equipment has an integrated working thermostat and a double thermal cut-out (overheat protection thermostat). This is manually re-settable, by pushing the pin on the top of the thermostat. (See fig. 10). Also check why the thermal cut-out initially tripped before re-connection the power supply.

Turn off the power! Pull out the cable plug. Take off the front plastic cover (Basic 2, Slim 4 screws and Square 3 screws). Reset overheat thermostat.

Replacing thermostats: Pull off the cable shoes after having noticed their positions. Thermostat sensor ends are put into a tube on the heater element fastening flange. Pull them out. Unscrew fastening screws for the thermostats. Mount new thermostats in opposite order. Be sure sensor ends are properly put into the tube.

When leaving the boat for longer periods, it is recommended to disconnect the power supply cable plug. This should be done even if the shore power system is shut off, as there can be a difference in the electrical system, between the earth lead and the salt water earth of the boat. This can seriously damage the water heater and/or engine with propulsion equipment.

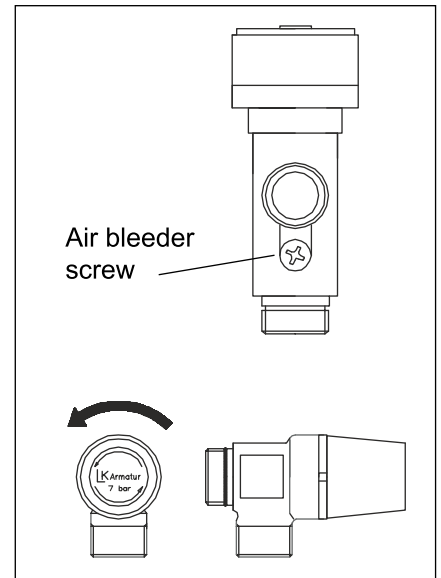


Fig. 9

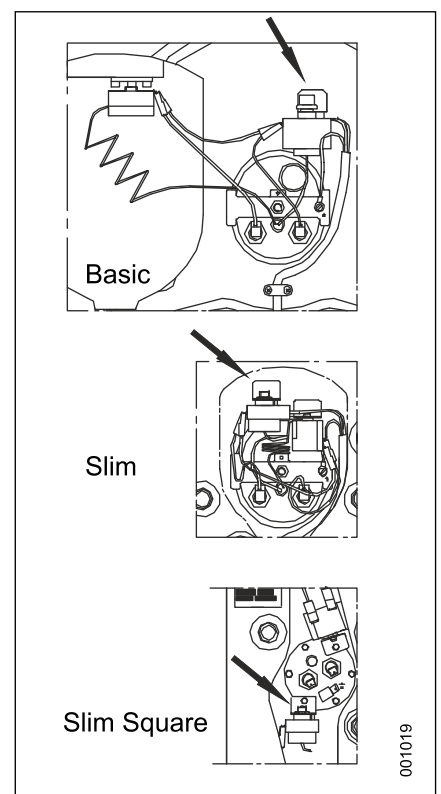


Fig. 10

6.4 Replacing heater element:

Warning! Be sure to turn power off first!

Drain the tank from water.

Basic and Slim

Take off the plastic cover, unscrew the two screws at the sides and push the cover downwards. Dismantle the thermostat and the overheat protector from their brackets for better access on the Slim model.

On Basic they can be left in position during the operation.

Pull off the wires from the heating element tabs.

Loosen the centre nut, fig. 11-A and take off the support, fig. 11-B. Put on the nut again on the centre bolt for easier handling, easier to grab by hand.

Push off the mounting flange and rubber gasket inwards, it will come out together with the heater element unit. Turn the heater element unit 90° to the left, the wire tabs shall point to the right.

Twist the unit until the inner end hits the tank to the left.

Pull out the heater element unit through the hole with the left side first.

Unscrew the heater element from the mounting flange.

Mount the new heating element with new seal rings and a new big rubber gasket in the opposite order to the description above. The inner end of the heating element shall point slightly downwards after assembly.

Slim Square

The heating element unit is on the Square model fastened by six screws on a flange which is fastened into the tank. It has a rubber gasket. See fig. 11

First, pull off the wires from the heating element tabs.

Loosen all six screws, the heating element unit including the flange can be pulled out. Note the position of the flange.

The heating element is fastened on the flange with nuts.

Unscrew the heating element from the mounting flange.

Mount the new heating element with new seal rings and a new big rubber gasket in the same position as before.

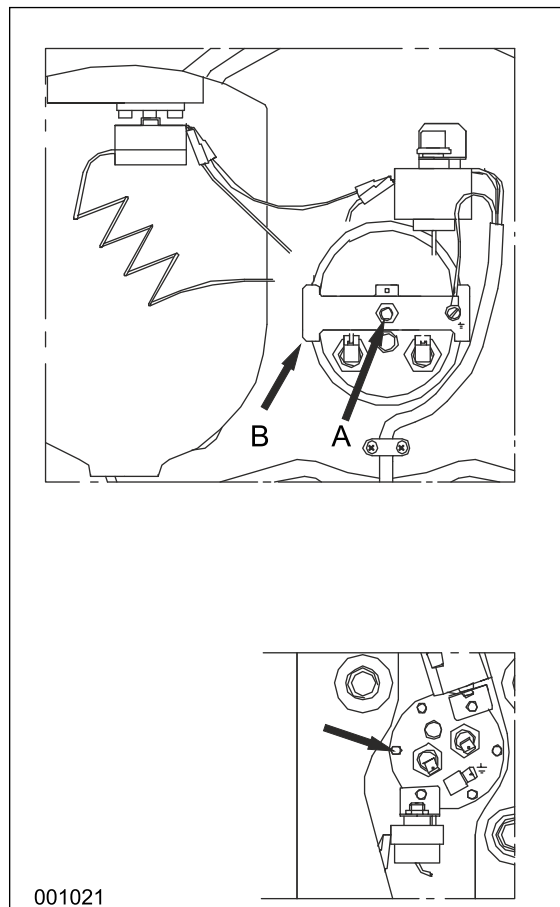


Fig. 11

7. Double heat exchanger, Basic 40 & 75 litres.

Double heat exchanger water heaters have connections for the second heat exchanger located also on the front, side by side with ordinary heat exchanger connections.

See fig. 4

Replacement of the heating element is made the same way as the description above.

8. Technical data

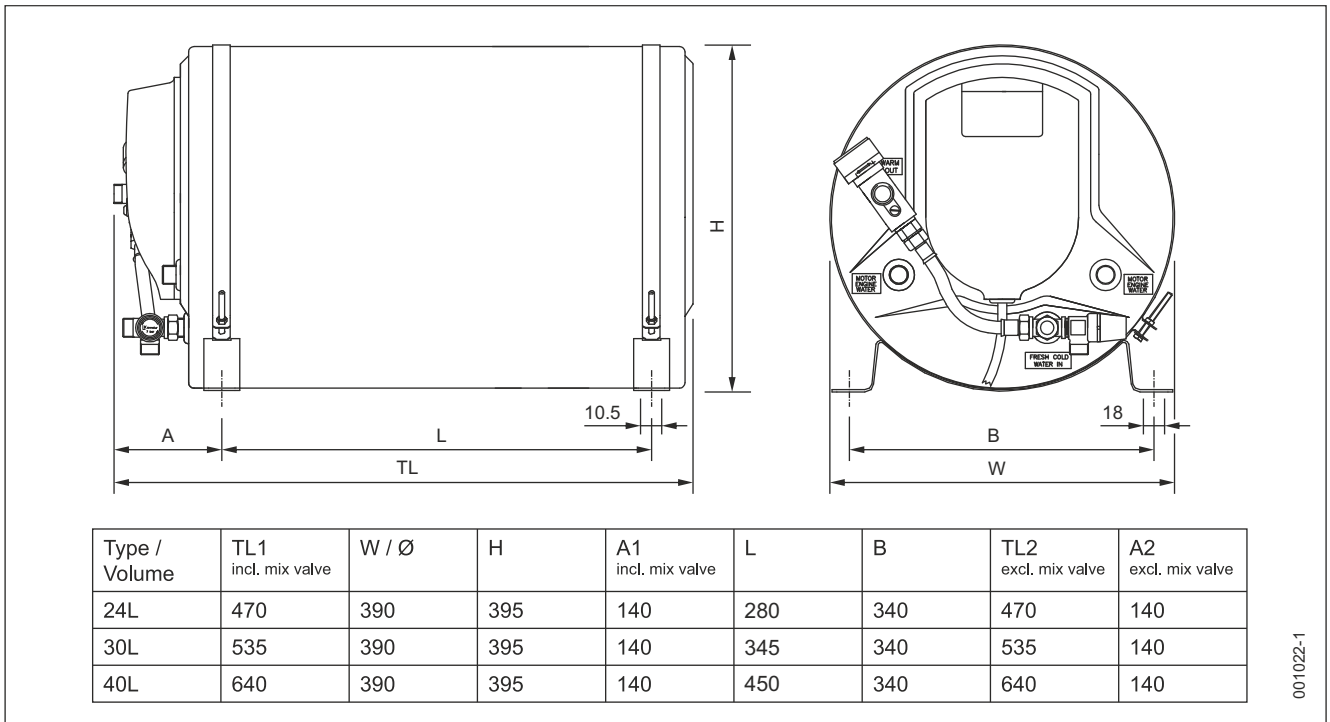
8.1 Basic

Type	Volume lit.	Weight kg / lbs	Heater element	Heater element options	Thermostat mixer valve
602431B000000	24	12.5 / 27.5	230V~ 750W	115V~ 750W	-
602431B000003	24	12.5 / 27.5	230V~ 750W	115V~ 750W	X
602431BD000000 (Double coils)	24	13 / 29	230V~ 750W	115V~ 750W	-
602431BD000003 (Double coils)	24	13 / 29	230V~ 750W	115V~ 750W	X
603031B000000	30	13.5 / 30	230V~ 750W	115V~ 750W	-
603031B000003	30	13.5 / 30	230V~ 750W	115V~ 750W	X
604031B000000	40	15.5 / 34	230V~ 750W	115V~ 750W 115V~ 1200W * 230V~ 1200W *	-
604031B000003	40	15.5 / 34	230V~ 750W	115V~ 750W 115V~ 1200W * 230V~ 1200W *	X
604031BD000000 (Double coils)	40	16 / 35	230V~ 750W	115V~ 750W 115V~ 1200W * 230V~ 1200W *	-
604031BD000003 (Double coils)	40	16 / 35	230V~ 750W	115V~ 750W 115V~ 1200W * 230V~ 1200W *	X
605031B000000	50	17 / 37.5	230V~ 750W	115V~ 750W 115V~ 1200W * 230V~ 1200W * 230V~ 2000W *	-
605031B000003	50	17 / 37.5	230V~ 750W	115V~ 750W 115V~ 1200W * 230V~ 1200W * 230V~ 2000W *	X
607531B000000	75	24.5 / 54	230V~ 750W	115V~ 750W 115V~ 1200W * 230V~ 1200W * 230V~ 2000W *	-
607531B000003	75	24.5 / 54	230V~ 750W	115V~ 750W 115V~ 1200W * 230V~ 1200W * 230V~ 2000W *	X
607531BD000000 (Double coils)	75	25 / 55	230V~ 750W	115V~ 750W 115V~ 1200W * 230V~ 1200W * 230V~ 2000W *	-
607531BD000003 (Double coils)	75	25 / 55	230V~ 750W	115V~ 750W 115V~ 1200W * 230V~ 1200W * 230V~ 2000W *	X

* – Heating elements 1200W and 2000W are applicable in horizontal position of the appliance only!

Dimensions: See fig 12a, 12b
 Material: Heat exchanger coil, storage tank and connections: stainless steel AISI 316
 Outside cover and mounting brackets: Stainless steel AISI 304
 Heater element: Nickel plated copper
 Insulation: Polyurethane
 Safety valve: 7 bar / 100 psi

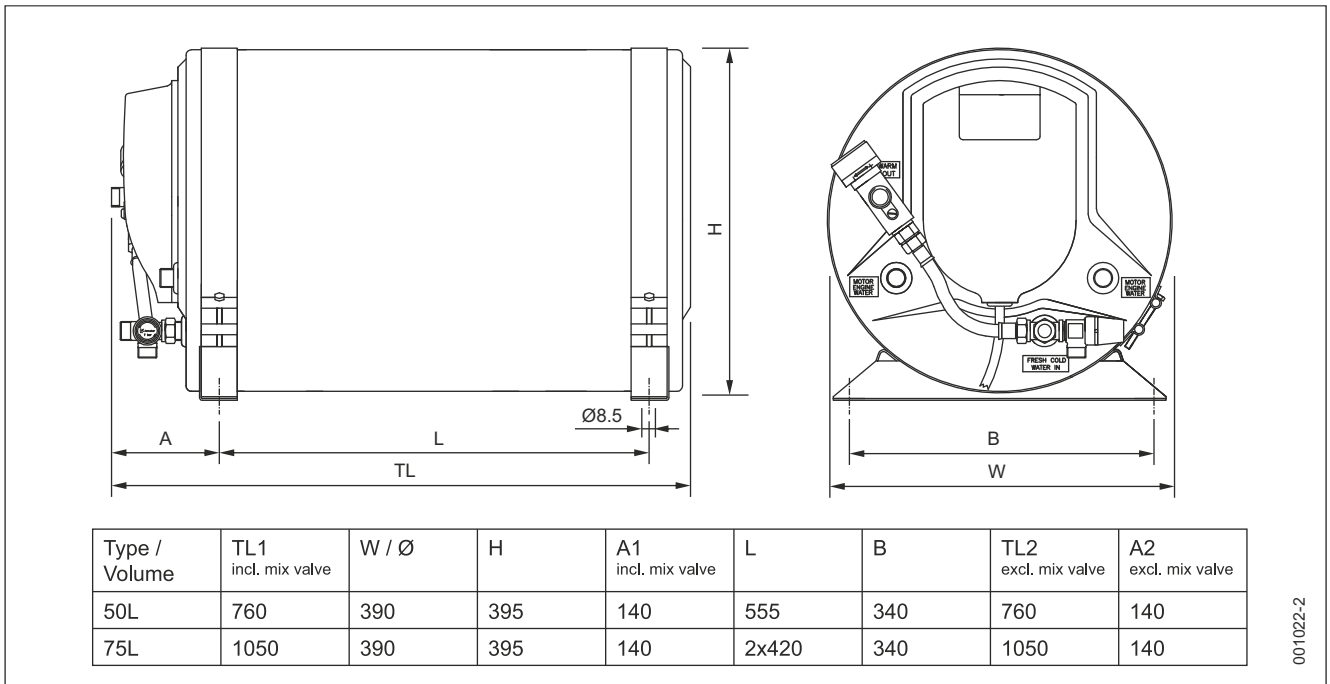
Dimensions Basic 24, 30, 40



001022-1

Fig. 12a

Dimensions Basic 50, 75



001022-2

Fig. 12b

8.2 Slim

Type	Volume lit.	Weight kg / lbs	Heater element	Heater element option	Thermostat mixer valve
601531S000000	15	9 / 20	230V~ 750W	115V~ 750W	-
601531S000003	15	9 / 20	230V~ 750W	115V~ 750W	X
602031S000000	20	10.5 / 23	230V~ 750W	115V~ 750W 115V~ 1200W * 230V~ 1200W *	-
602031S000003	20	10.5 / 23	230V~ 750W	115V~ 750W 115V~ 1200W * 230V~ 1200W *	X
602531S000000	25	12 / 26.5	230V~ 750W	115V~ 750W 115V~ 1200W * 230V~ 1200W * 230V~ 2000W *	-
602531S000003	25	12 / 26.5	230V~ 750W	115V~ 750W 115V~ 1200W * 230V~ 1200W * 230V~ 2000W *	X

* – Heating elements 1200W and 2000W are applicable in horizontal position of the appliance only!

Dimensions: See fig 13
 Material: Heat exchanger coil, storage tank and connections: stainless steel AISI 316
 Outside cover and mouting brackets: Stainless steel AISI 304
 Heater element: Nickel plated copper
 Insulation: Polyurethane
 Safety valve: 7 bar / 100 psi

Dimensions Slim

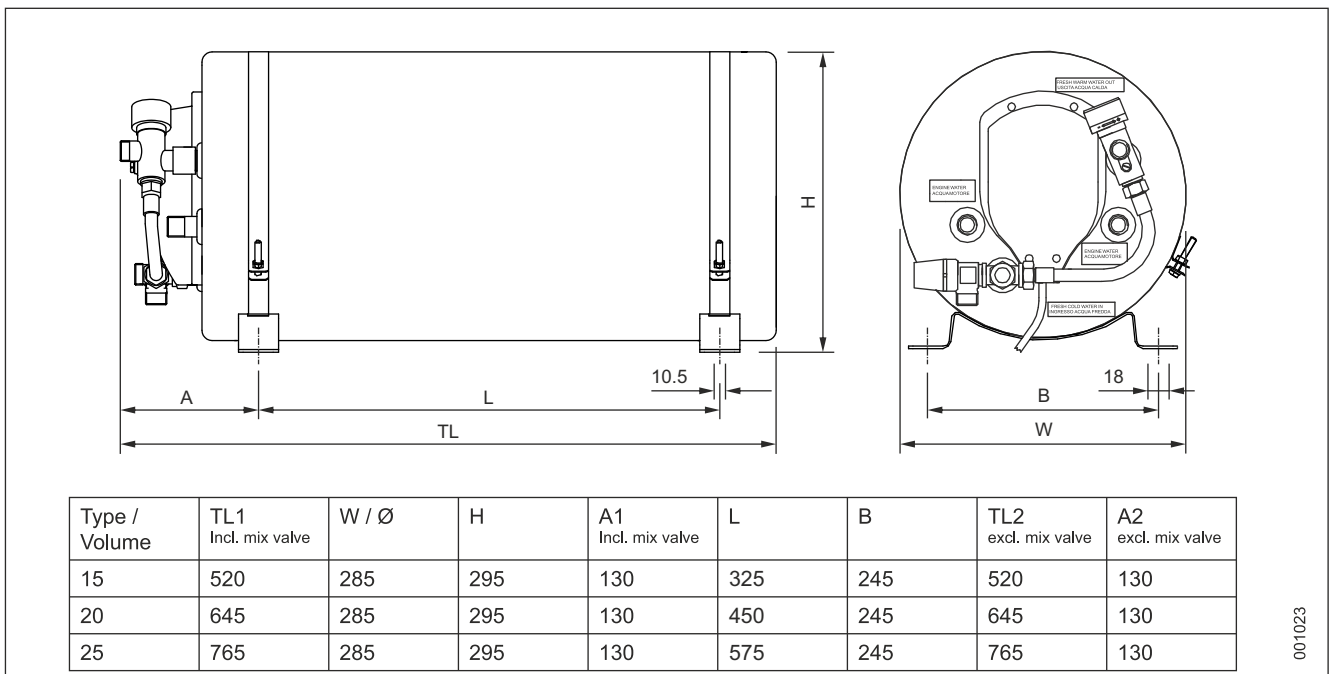


Fig. 13

001023

8.3 Slim Square

Type	Volume lit.	Weight kg / lbs	Heater element	Heater element option	Thermostat mixer valve
601631QX00000	16	15.5 / 34	230V~ 750W	115V~ 750W	-
601631QX00003	16	15.5 / 34	230V~ 750W	115V~ 750W	X

Dimensions: See fig 14
 Material: Heat exchanger coil, storage tank and connections: stainless steel AISI 316
 Outside cover and mounting brackets: Stainless steel AISI 304. Outer gables plastic.
 Heater element: Nickel plated copper
 Insulation: Polyurethane
 Safety valve: 5 bar / 73 psi

Slim Square Dimensions

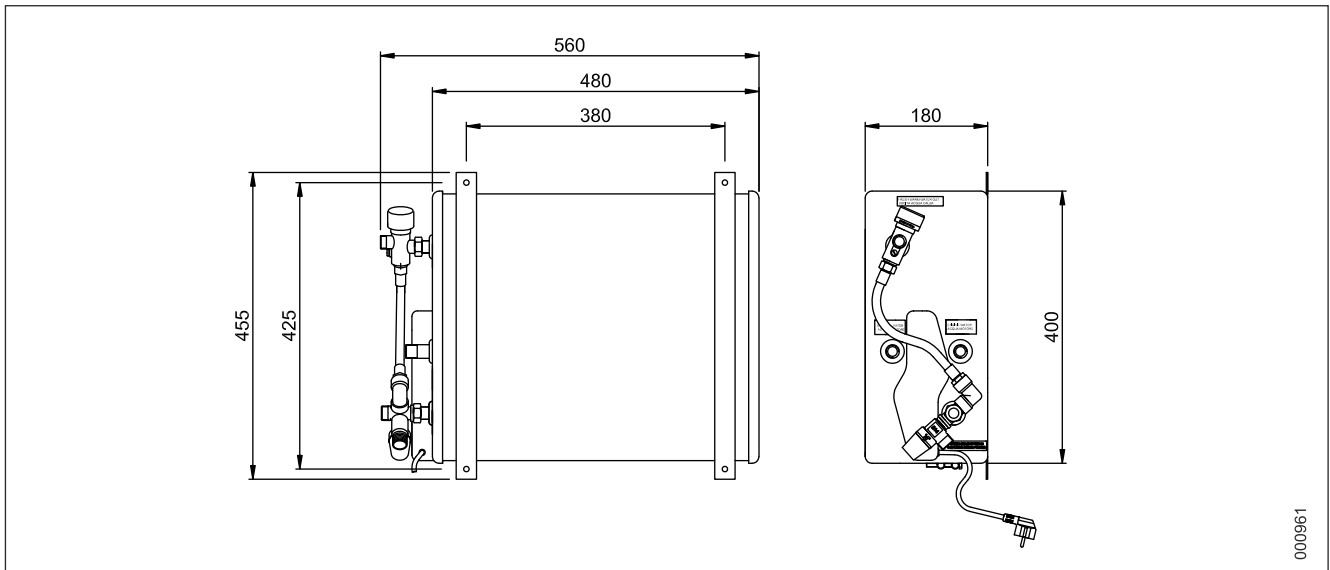


Fig. 14

9. Indel Webasto Marine Warranty

The Indel Webasto Marine warranty complies with the EU directive 2019/771

9.1 Period of validity

The warranty for all Isotemp water heaters is valid for 2 years concerning costs for labor for repair and replacement but only if effected by authorized service points of the IWM network.
5 years validity for leakage from the inner tank or the heat exchange coil. (labor excluded after the first 2 years).

The warranty is valid only for water heaters installed in boats, it is not valid for water heaters installed in recreational vehicles (RV) or other installations than marine.

The period of validity starts from:

- a) The sales date of the product indicated in the receipt or invoice
- b) The sales date indicated in the invoice or registration of the first sale of the boat in which the product is installed, if installed by the producer of the boat.
- c) If none of above is available, the validity starts from year and the week of production indicated in the S/N (serial number) on the label on the product.

Replacement of a product or a component does not vary the period of validity.

9.2 The warranty covers:

- Replacement or repair of the product or one or more components recognized as defect by production failure.
- Breakage or dysfunction of components within the validity of the warranty in spite of proven correct installation and correct usage.
- Labor and travel on basis of the Operation Procedures in this document.
- Costs for shipment of the product in replacement (except ev. costs for custom clearance)

9.3 The warranty does not cover defects or damage caused by:

- negligence or carelessness or misuse
- wrong installation or incautious handling
- wrong electrical connections
- undersized cables
- inaccurate maintenance or maintenance effected by not authorized personnel
- lack of observation of the instructions indicated in the dedicated user's manual
- transport damages
- products installed elsewhere than in boats
- leakage of water from boilers in which it has been used not pure water or not freshwater or water with high electrical conductivity or high salt content.
- costs for custom clearance
- professional use
- damage caused by weathering
- costs for dismantling and/or re-mounting of furniture or other structures

9.4 Info necessary to establish if a case is covered by the warranty:

- Part number (written on the label on the product)
- S/N (serial number) (written on the label on the product)
- Invoice, receipt or registration document (see point regarding validity)
- Type of boat
- Detailed description of the defect. (If possible enclose pictures)
- Description of the installation. (If possible enclose pictures)

(In case it is established that the case is not covered by the warranty, the customer must pay for eventual repair, replacement, labor, travel and transport. IWM is not obliged to cover any costs.)

9.5 Operation Procedures to apply once established that the case is covered by the warranty

Warranty interventions must only be made by service partners of IWM (see list on www.indelwebastomarine.com)
IWM does not cover costs of interventions made by others.

The technician of the service point authorized by IWM goes on board if the boat is situated max 100 km from the service point. IWM covers the cost of such travel. If the boat is more than 100 Km away from the service point, the boat owner can chose to pay the technician for the travel (payment directly to the technician) or move the boat closer.

IWM does not reimburse any money for spare parts bought elsewhere than from IWM or an official IWM Distributor.

Indice

1. Norme di sicurezza
2. Posizionamento
3. Montaggio
4. Collegamenti
 - 4.1 Raccordi
 - 4.2 Flessibili
 - 4.3 Collegamenti del motore
 - 4.4 Collegamenti dell'acqua dolce
 - 4.5 Collegamenti elettrici
5. Avviamento/prova
6. Manutenzione
 - 6.1 Dispositivo di sovrappressione / Valvola di sicurezza
 - 6.2 Scarico invernale
 - 6.3 Sostituzione del termostato
 - 6.4 Sostituzione della resistenza
7. Doppio scambiatore di calore
8. Dati tecnici
 - 8.1 Basic
 - 8.2 Slim
 - 8.3 Slim Square
9. Garanzia

1. Norme di sicurezza

Questo manuale è stato redatto per consentirvi di utilizzare lo scaldabagno in modo sicuro e affidabile e contiene informazioni sul funzionamento e la manutenzione.

Si prega di leggere attentamente il manuale, familiarizzare con il prodotto e conservare il manuale in un luogo sicuro a bordo dell'imbarcazione.

È importante che l'installazione e la manutenzione dello scaldabagno siano eseguite correttamente.

Durante il periodo invernale, è essenziale spurgare lo scaldabagno per evitare il rischio di danni dovuti al gelo.

Ogni scaldabagno è sottoposto in fabbrica a prove di pressione e tenuta prima della consegna e viene fornito con una garanzia di due anni contro difetti di materiale e/o produzione.

Indel Marine S.r.l. declina ogni responsabilità relativamente ad eventuali danni all'attrezzatura e lesioni personali dovuti all'installazione errata oppure all'utilizzo improprio del prodotto.



Pericolo!

Tutti i collegamenti elettrici a bordo devono essere effettuati da elettricisti autorizzati.

Lo scaldabagno deve essere collegato correttamente a massa all'impianto AC.



Pericolo!

Utilizzare sempre cavi, fusibili/interruttori e salvavita di dimensioni appropriate.



Avvertenza!

Se il cavo di alimentazione è danneggiato, esso deve essere sostituito dal costruttore, dal suo servizio di assistenza o da persona con qualifica simile per prevenire il caso di pericolo.



Avvertenza!

Non collegare la resistenza alla rete di alimentazione finché lo scaldabagno non è stato riempito d'acqua.



Avvertenza!

Occorre usare solo acqua potabile dolce e pulita, la presenza dei sali (i cloruri) deve essere meno di 50 mg/l e la conducibilità elettrica inferiore a 200 $\mu\text{S}/\text{cm}$. Questo è un requisito per far valere la garanzia che se non va rispettato, l'acciaio inossidabile del serbatoio può essere danneggiato.



Avvertenza!

Ricordare che l'acqua nello scaldabagno presenta la stessa temperatura del motore. Pericolo di ustioni.

Attenzione!

Fare riferimento al capitolo 4.5 Collegamenti elettrici relativamente al rischio di corrosione attraverso il collegamento alla rete di alimentazione presente a terra.

Attenzione!

Seguire attentamente le istruzioni del produttore del motore per il collegamento all'impianto di raffreddamento del motore.

Attenzione!

In caso di pericolo di congelamento, vedere Capo 6.2.




Attenzione!

Questo apparecchio può essere utilizzato da bambini all'età superiore a 8 anni e da persone con capacità fisiche, sensoriali e mentali ridotte oppure con esperienza e conoscenze insufficienti se sono supervisionate o istruite riguardo all'uso dell'apparecchio e se sono consapevoli dei pericoli. I bambini non devono giocare con l'apparecchio. È vietata la pulizia e la manutenzione dell'apparecchio da bambini senza la supervisione di un adulto.

Ambiente:

Questo apparecchio è conforme alla Direttiva Europea 2012/19/EU sui Rifiuti di Apparecchiature Elettriche ed Elettroniche.

Smaltendo correttamente il prodotto è possibile contribuire a prevenire le potenziali conseguenze negative per l'ambiente e la salute dell'uomo derivanti dallo smaltimento inappropriato del prodotto.

Il simbolo  sul prodotto o nella documentazione allegata indica che il presente apparecchio non deve essere smaltito come rifiuto solido urbano.

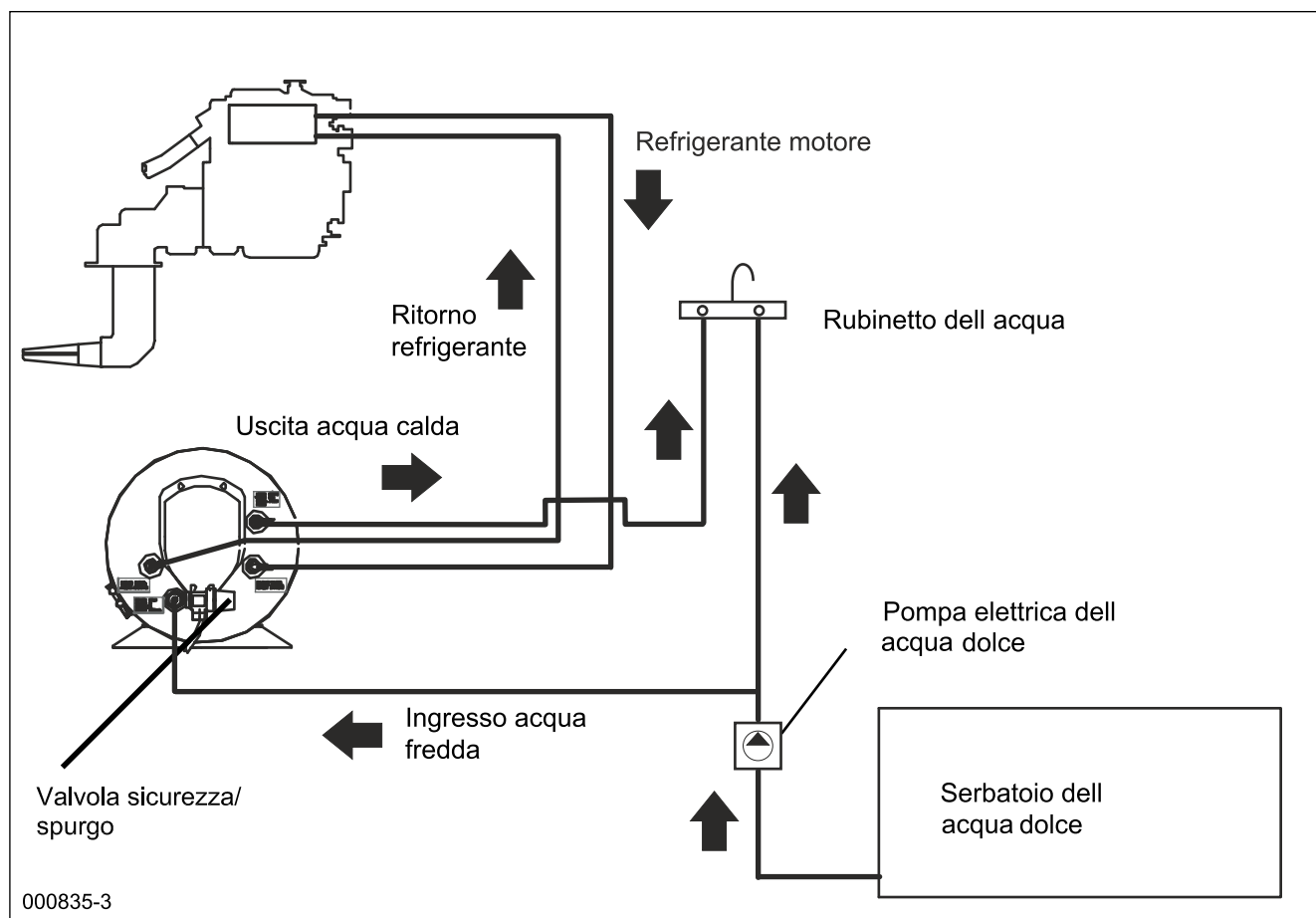
Al contrario, deve essere conferito a un centro di raccolta autorizzato per il riciclaggio dei componenti elettrici ed elettronici. Lo smaltimento deve essere effettuato in conformità alle norme ambientali locali.

Per informazioni dettagliate su trattamento, recupero e riciclaggio del prodotto, rivolgersi alle autorità locali, all'ente di gestione dei rifiuti locale oppure al proprio rivenditore.

2. Posizionamento

Lo scaldabagno può essere posizionato in qualsiasi punto dell'imbarcazione, a condizione che i collegamenti dello scambiatore di calore del motore si trovino più in basso rispetto al serbatoio di espansione del motore (Fig. 1). È preferibile che i flessibili dello scambiatore di calore siano i più corti possibili per ridurre al minimo la resistenza allo scorrimento e le perdite di calore. In molte installazioni, lo scambiatore di calore dello scaldabagno è semplicemente collegato in serie al circuito di raffreddamento del motore. In alcune installazioni, è collegato in parallelo con un limitatore/ripartitore di flusso.

Schema di collegamento principale



La scelta dipende dalle raccomandazioni specifiche di produttore del motore e/o installatore. Rivolgersi al produttore o rivenditore del motore per eventuali raccomandazioni in merito al collegamento dell'impianto di raffreddamento del motore. Qualora lo scaldabagno debba essere posizionato al di sopra del serbatoio di espansione del motore, il circuito del flessibile dell'acqua del motore deve essere dotato di una valvola di sfiato nel punto più alto, disponibile come accessorio.

3. Montaggio

Gli scaldabagno Isotemp Basic, Slim e Slim Square sono progettati per assicurare le massime prestazioni sia in orizzontale che in verticale. La valvola di sicurezza/spurgo deve sempre trovarsi nel punto più basso. Le staffe di montaggio possono essere regolate a lato di Basic e Slim per il montaggio dello scaldabagno su una paratia. Montare sempre lo scaldabagno su una mensola o paratia adeguata **tenendo conto del peso dell'acqua.**

Vedere le posizioni di montaggio alternative in Fig. 2.

Slim Square può essere collocato in verticale, in orizzontale o nelle posizioni alternative illustrate in Fig. 7. La Fig. 3 mostra Basic, la Fig. 4 Basic con due bobine, la Fig. 5 Slim e la Fig. 6 i collegamenti dell'acqua di Slim Square. Si raccomanda di lasciare uno spazio libero di circa 30 cm davanti allo scaldabagno per agevolare la manutenzione.

Isotemp Basic e Slim

Alternative di montaggio, orizzontale o verticale.

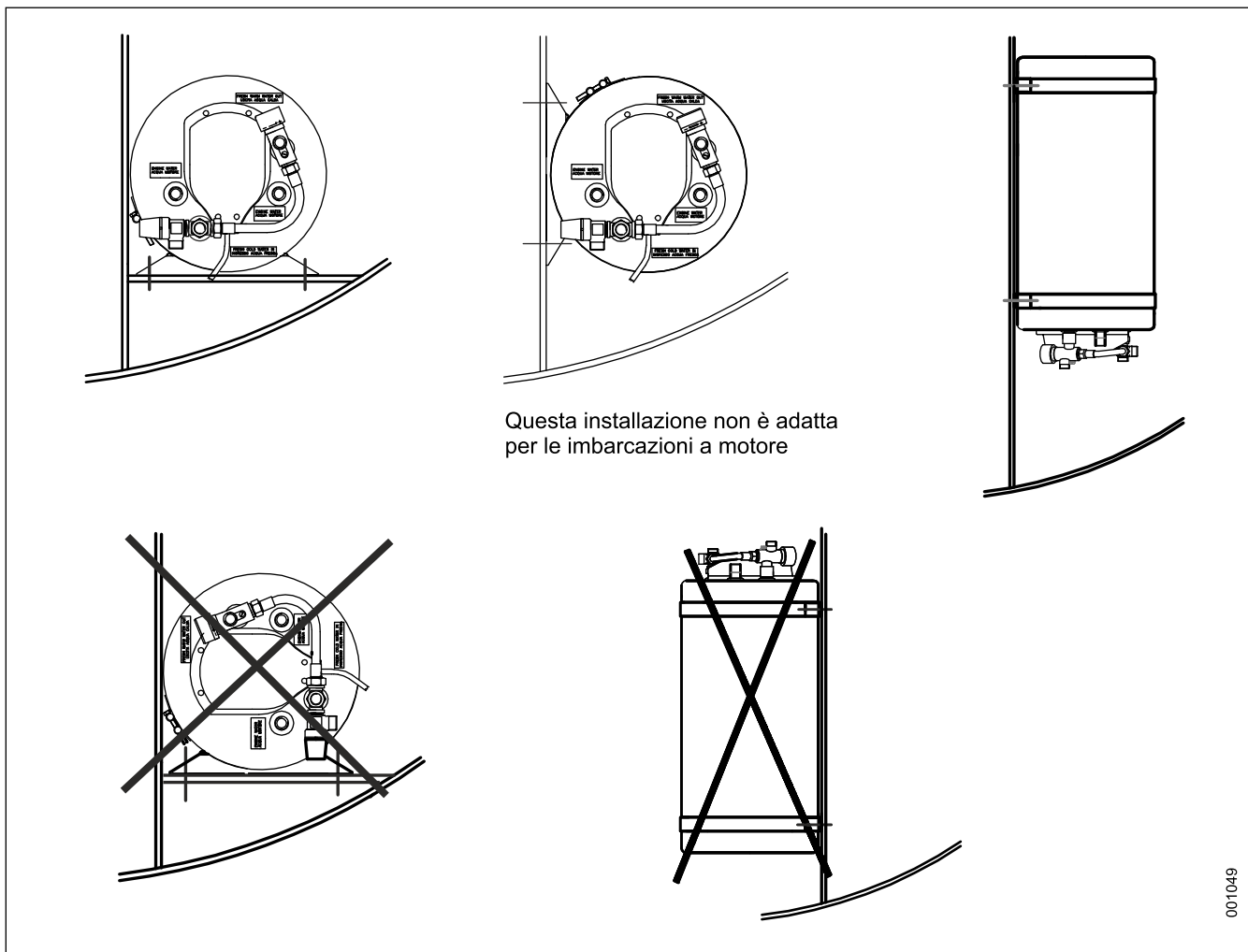


Fig. 2

Isotemp Basic senza e con miscelatore termostatico

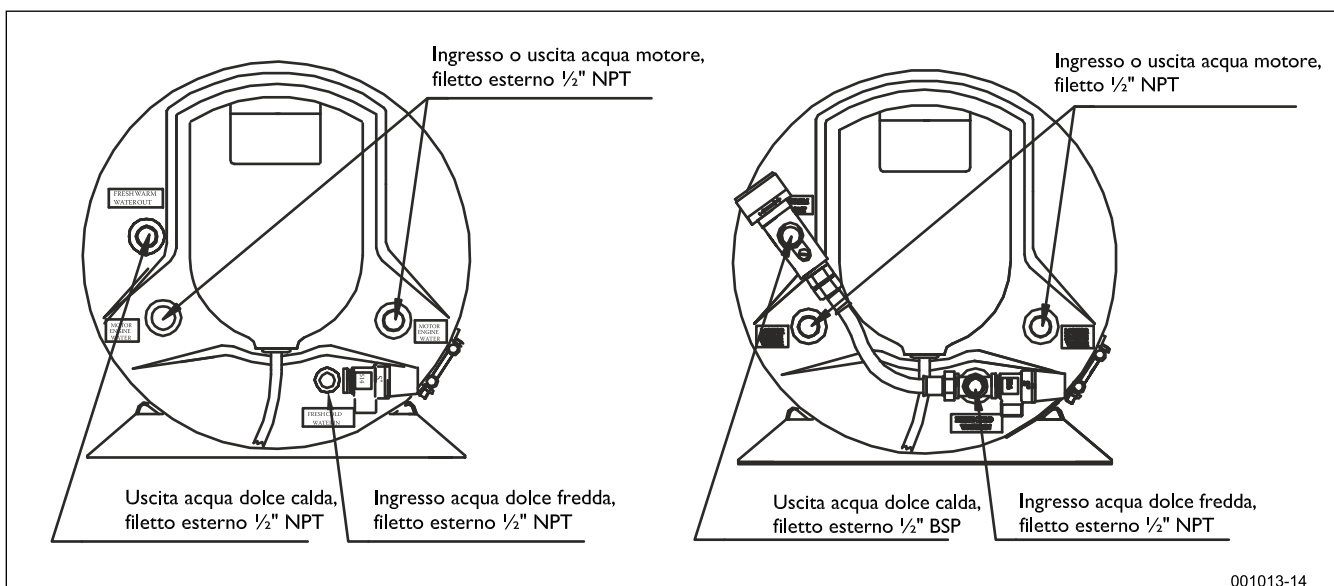


Fig. 3

Isotemp Basic con doppie bobine, senza e con miscelatore termostatico

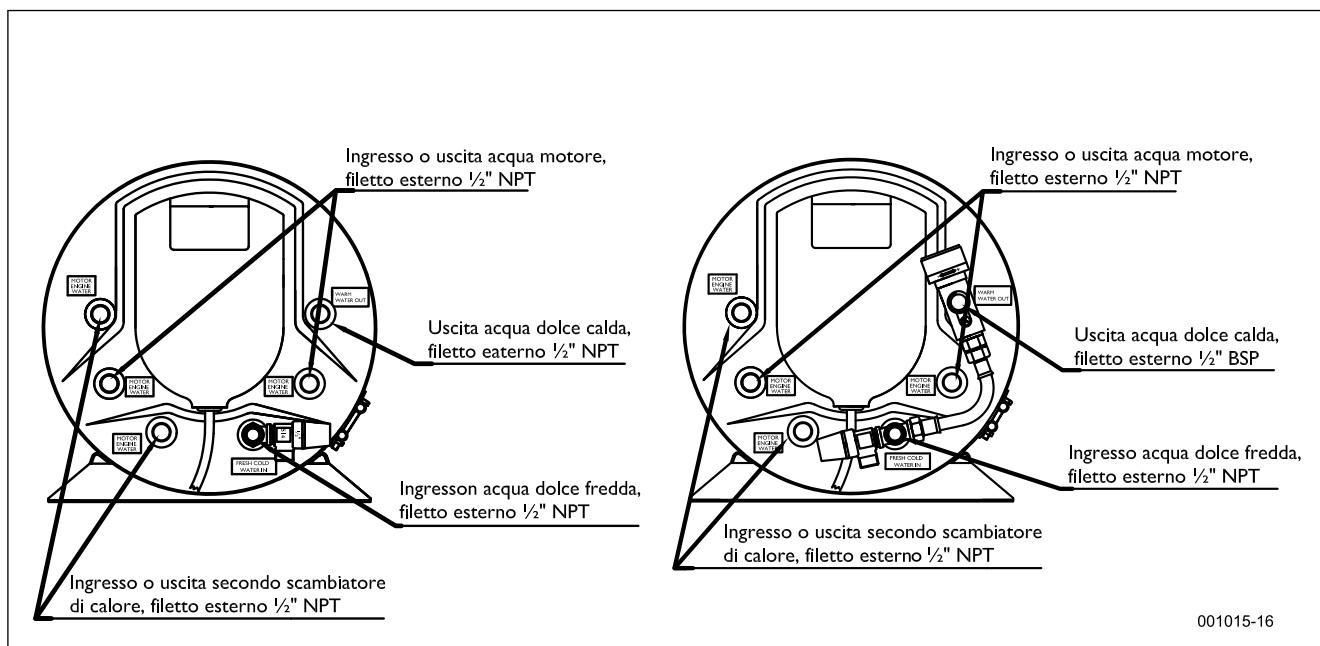


Fig. 4

Isotemp Slim senza e con miscelatore termostatico

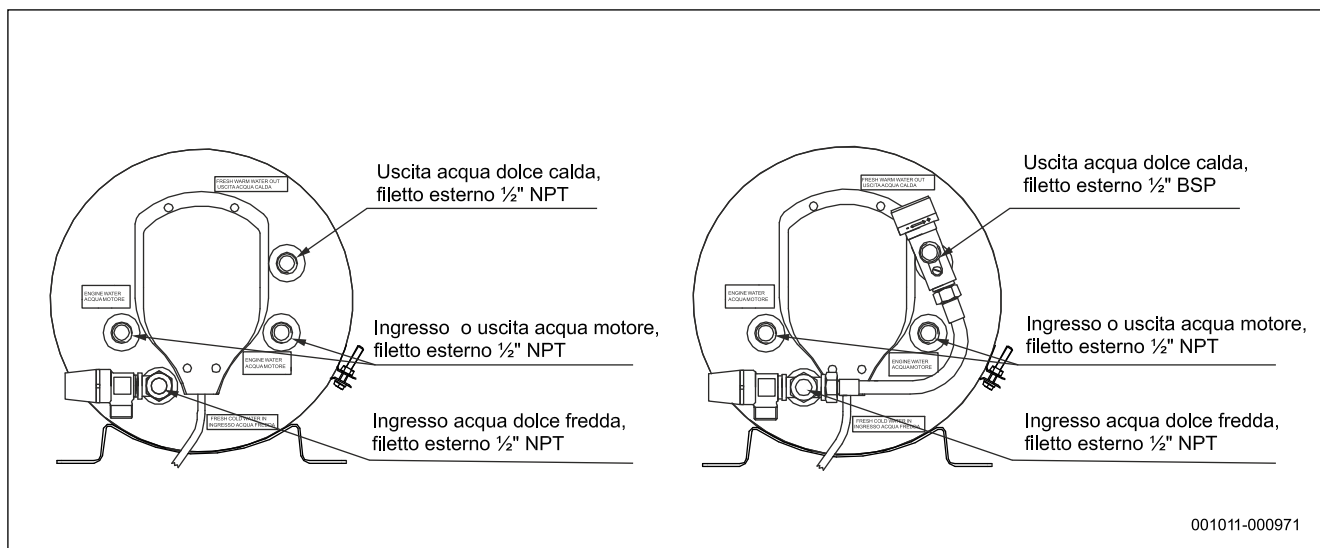


Fig. 5

Nota:

I raccordi per flessibili con filetti dritti 1/2" BSP possono essere utilizzati anche per i filetti esterni 1/2" NPT.

Slim Square senza e con miscelatore termostatico

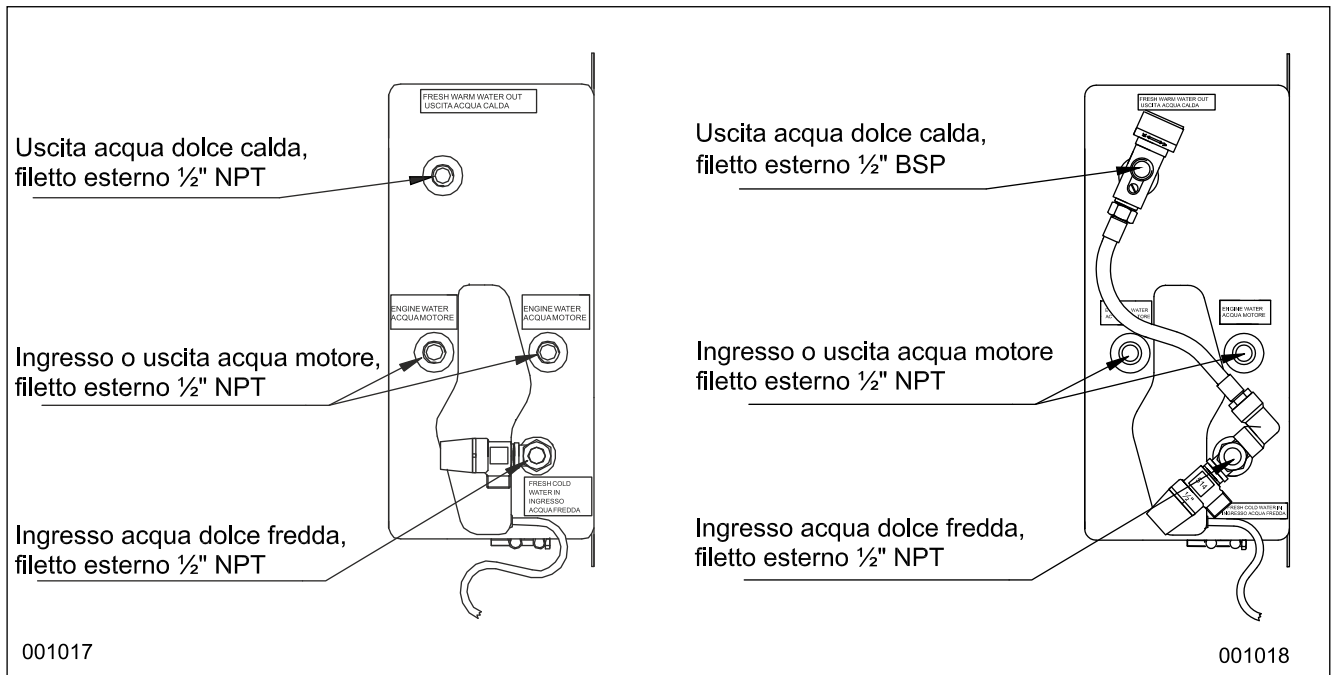


Fig. 6

Slim Square

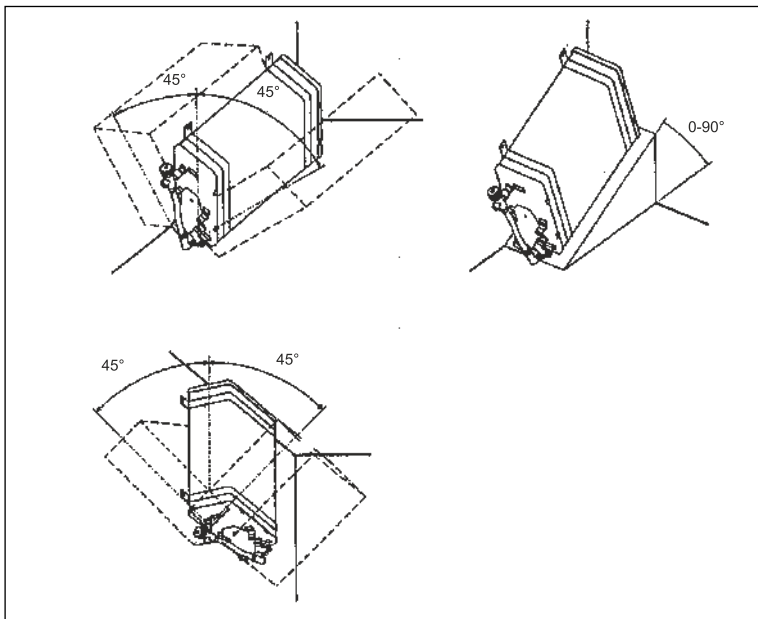


Fig. 7

Posizioni di montaggio alternative di Slim Square.

Nota: la valvola di sicurezza deve sempre trovarsi nel punto più basso.

4. Collegamenti

4.1 Materiale: Utilizzare esclusivamente raccordi e accessori in materiale resistente alla corrosione, ad es. ottone o acciaio inox. Evitare i raccordi in plastica, a meno che non siano appositamente progettati per temperature elevate. Infatti, una perdita in quest'area può provocare il surriscaldamento del motore o la fuoriuscita di acqua bollente.

4.2 Flessibili: Per i collegamenti al motore, utilizzare flessibili in gomma rinforzata resistenti al gelo e al

calore (100°C, omologati per una pressione di 5 bar. Per l'ingresso dell'acqua fredda e l'uscita dell'acqua calda, Fig. 7, utilizzare flessibili per acqua dolce resistenti al calore (approvati per uso alimentare), omologati per una pressione di 8 bar. Fissare accuratamente i flessibili con fascette stringitubo. Sigillare i raccordi filettati ad es. con Loctite 577 o Bondline T777.

I raccordi con filetto G $\frac{1}{2}$ " ($\frac{1}{2}$ "BSP) devono essere collegati ai connettori sullo scaldabagno.

4.3 Collegamenti al motore (vedere lo schema di collegamento, Fig. 1):

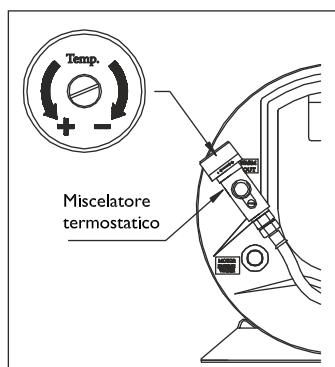
Lo scaldabagno può essere collegato a motori raffreddati con acqua dolce. La portata dell'acqua di raffreddamento dal motore allo scaldabagno deve essere almeno 2 litri/min. Se l'imbarcazione è dotata di due motori, collegare lo scaldabagno soltanto a uno di essi. In caso di montaggio di due scaldabagno, collegarli in parallelo. Per evitare strozzature, utilizzare flessibili e adattatori da almeno 16 mm (5/8"). Fare riferimento al manuale istruzioni del motore per i punti di collegamento dei flessibili.

In caso di utilizzo dello scaldabagno su piccoli motori, ad es. da 10-15 CV, può essere necessario ridurre la portata nello scaldabagno per assicurare la capacità di raffreddamento necessaria al motore.

4.4 Collegamenti dell'acqua dolce (vedere lo schema di collegamento, Fig. 1):

Lo scaldabagno viene alimentato con acqua dolce dalla pompa elettrica nell'impianto dell'acqua. Pressione max di esercizio della pompa: 3,8 bar. Nota: la valvola di scarico di sicurezza sullo scaldabagno è impostata su 7,0 bar. L'acqua dolce entra attraverso la valvola di sicurezza. L'uscita dell'acqua calda, che funge anche da sfiato per lo scaldabagno, deve essere collegata al miscelatore del lavabo/lavandino.

Avvertenza! Ricordare che l'acqua presenta la stessa temperatura del motore. Pericolo di ustioni! Miscelare l'acqua fredda con i miscelatori. Se lo scaldabagno è dotato di miscelatore termostatico è possibile impostare una temperatura dell'acqua calda adeguata per evitare il rischio di ustioni. La temperatura può essere impostata tra 38 e 65°C.



Il flessibile di scarico dell'acqua deve sempre essere libero. Non deve essere collegato a valvole, raccordi passanti ecc. Lo scarico deve sempre essere libero. Durante il riscaldamento può sempre fuoriuscire una piccola quantità d'acqua dalla valvola di scarico in quanto l'acqua si espande. È una situazione normale e indica che il sistema funziona correttamente.

4.5 Collegamenti elettrici

Vedere lo schema elettrico, Fig. 8

Tutti i collegamenti interni sono effettuati in fabbrica. Il cavo di alimentazione è dotato di spina standard UE e deve essere collegato a una presa a muro adeguata. Il collegamento, come tutti quelli ad "alta tensione" a bordo, deve essere effettuato da un elettricista autorizzato in conformità alle norme di sicurezza vigenti. Lo scaldabagno è progettato in conformità a tutte le norme vigenti in materia. La rete di alimentazione presente a terra deve essere dotata di salvavita.

Prima di lasciare incustodita l'imbarcazione per un certo periodo di tempo, scollegare sempre il connettore del cavo dalla presa anche se è disinserita la rete di alimentazione presente a terra in quanto può sussistere una differenza di tensione tra le masse presenti a terra e sull'imbarcazione. Questo può provocare gravi danni allo scaldabagno oppure alla resistenza.

L'installazione di un trasformatore di isolamento nell'impianto di alimentazione elimina qualsiasi rischio di corrosione attraverso il collegamento a terra.

Scollegare sempre lo scaldabagno e/o disinserire tutti gli interruttori e scollegare i collegamenti a terra prima di rimuovere il coperchio del quadro elettrico. Il circuito elettrico è controllato da un termostato di servizio impostato su 75°C e da una doppia termica impostata su 96°C. In caso di scatto, la termica deve essere ripristinata manualmente premendo il piccolo pomello sopra la termica.

Vedere la sezione 6:2.

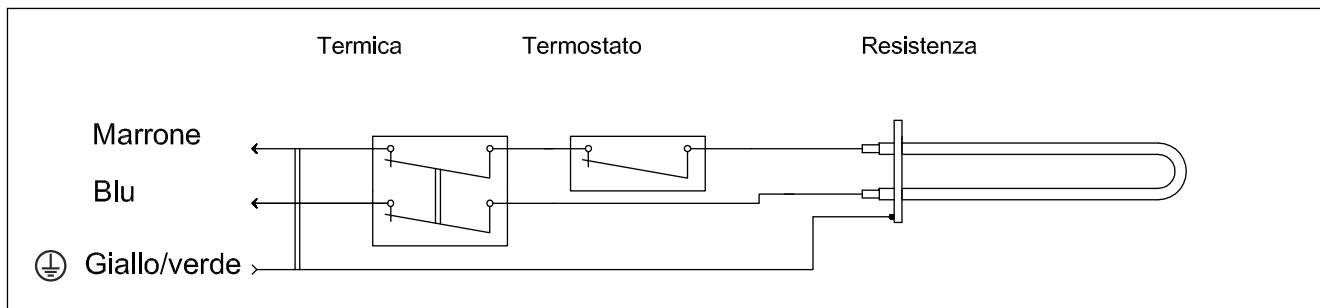


Fig. 8

5. Avviamento/prova

Riempire lo scaldabagno avviando la pompa dell'acqua e aprendo un rubinetto dell'acqua calda per consentire all'aria di fuoriuscire da flessibili e/o condutture.

Controllare la valvola di spurgo e scarico della pressione premendo la leva. L'acqua scorrerà attraverso il flessibile di scarico. Accertarsi che il flessibile di scarico non sia chiuso o intasato. Riportare la leva in posizione di chiusura. Avviare il

motore per controllare il ricircolo del refrigerante. Può essere necessario aggiungere refrigerante nell'impianto per compensare il volume addizionale di scambiatore di calore e flessibili. Controllare che non vi siano sacche d'aria nei flessibili di collegamento; all'occorrenza, sollevarli e abbassarli per far uscire l'aria prima di fissarli in posizione. Collegare infine lo scaldabagno e inserire l'interruttore. Controllare che funzioni correttamente.

6. Manutenzione

6.1 Dispositivo di sovrappressione / Valvola di sicurezza

Il dispositivo di sovrappressione (la valvola di sicurezza) deve essere regolarmente messo in funzione (Fig. 9) per rimuovere i depositi di calcare e per controllare che lo stesso non sia bloccato.

6.2 Scarico invernale: qualora sussista il rischio di congelamento, lo scaldabagno deve essere spurgato.

A tal scopo, scollegare il flessibile dell'acqua calda o allentare la vite di sfiato sull'eventuale valvola di miscelazione. Sfiatare completamente l'aria, quindi aprire la valvola di scarico girando il pomello nero sulla valvola di sicurezza di uno scatto in senso antiorario. Richiudere la valvola girando il pomello di un altro scatto in senso antiorario.

Se il motore è raffreddato con acqua non trattata è necessario anche spurgare lo scambiatore di calore scollegando i flessibili e soffiando aria al loro interno. A questo punto, lo scaldabagno può rimanere montato sull'imbarcazione durante l'inverno. In caso di inutilizzo prolungato dell'imbarcazione, si raccomanda di scollegare il cavo di alimentazione per evitare danni conseguenti a eventuali sbalzi di tensione attraverso la rete di alimentazione presente a terra.

6.3 Sostituzione/reimpostazione del termostato:

Avvertenza: Disinserire prima l'alimentazione!

La resistenza a immersione è da 230 V - 750 W. Il gruppo termostato è costituito da un termostato di servizio incorporato e da una doppia termica che deve essere ripristinata manualmente premendo il pomello sopra la termica.

(Vedere Fig. 10). Prima di ricollegare l'alimentazione, verificare la causa di scatto della termica.

Disinserire l'alimentazione! Scollegare il cavo. Estrarre il coperchio anteriore in plastica (Basic 2 e Slim 4 viti, Square 3 viti).

Ripristinare la termica.

Sostituzione dei termostati: Scollegare i cavi annotandone le rispettive posizioni. I terminali del sensore del termostato sono inseriti in un tubo sulla flangia di fissaggio della resistenza. Estrarli. Svitare le viti di fissaggio dei termostati. Montare i nuovi termostati nell'ordine inverso. Accertarsi che i terminali del sensore siano inseriti correttamente nel tubo.

In caso di inutilizzo prolungato dell'imbarcazione, si raccomanda di scollegare il cavo di alimentazione anche se è disinserita la rete di alimentazione presente a terra in quanto può sussistere una differenza di tensione tra le masse presenti a terra e sull'imbarcazione. Questo può provocare gravi danni allo scaldabagno e/o al sistema di propulsione del motore.

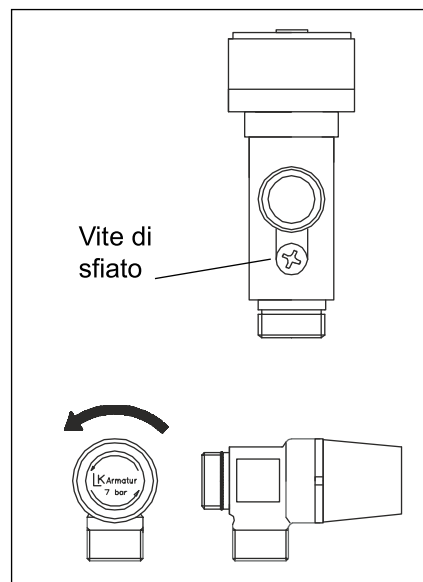


Fig. 9

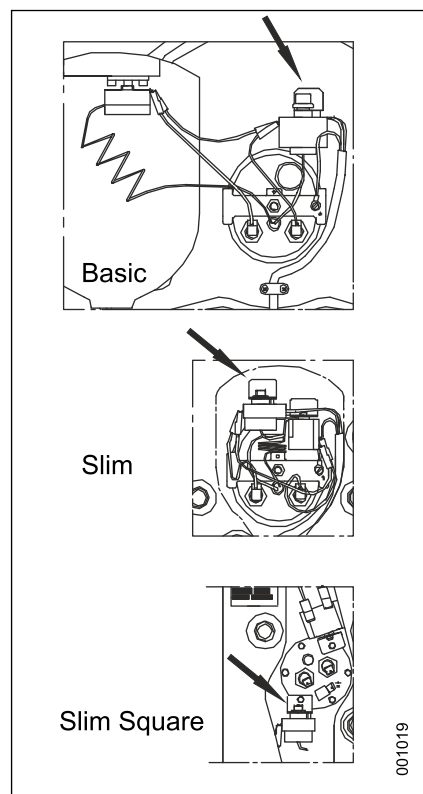


Fig. 10

6.4 Sostituzione della resistenza:

**Avvertenza! Disinserire prima l'alimentazione!
Spurgare l'acqua dallo scaldabagno.**

Basic e Slim

Estrarre il coperchio in plastica, svitare le due viti ai lati e premere il coperchio verso il basso. Smontare il termostato e la termica dalle rispettive staffe per agevolare l'accesso sul modello Slim.

Sul modello Basic, possono essere lasciati in posizione durante l'operazione.

Estrarre i cavi dalle linguette della resistenza.

Allentare il dado centrale, Fig. 11-A, ed estrarre il supporto, Fig. 11-B. Riavvitare il dado sul bullone centrale per agevolare l'operazione.

Premere la flangia di montaggio e la guarnizione in gomma verso l'interno, usciranno insieme al gruppo resistenza. Girare il gruppo resistenza di 90° verso sinistra, le linguette dovranno trovarsi sul lato destro.

Girare il gruppo finché l'estremità interna non urta lo scaldabagno sul lato sinistro. Estrarre prima la resistenza attraverso il foro sul lato sinistro.

Svitare la resistenza dalla flangia di montaggio. Montare la nuova resistenza con nuovi anelli di tenuta e una nuova guarnizione grande in gomma procedendo nell'ordine inverso. L'estremità interna della resistenza deve puntare leggermente verso il basso dopo il montaggio.

Slim Square

Sul modello Square, il gruppo resistenza è fissato con 6 viti su una flangia nello scaldabagno.

Inoltre, è dotato di una guarnizione in gomma. Vedere Fig. 11.

Estrarre innanzitutto i cavi dalle linguette della resistenza.

Allentare le 6 viti, quindi estrarre il gruppo resistenza con la flangia. Notare la posizione della flangia. La resistenza è fissata alla flangia con dadi. Svitare la resistenza dalla flangia di montaggio. Montare la nuova resistenza con nuovi anelli di tenuta e una nuova guarnizione grande in gomma nella stessa posizione.

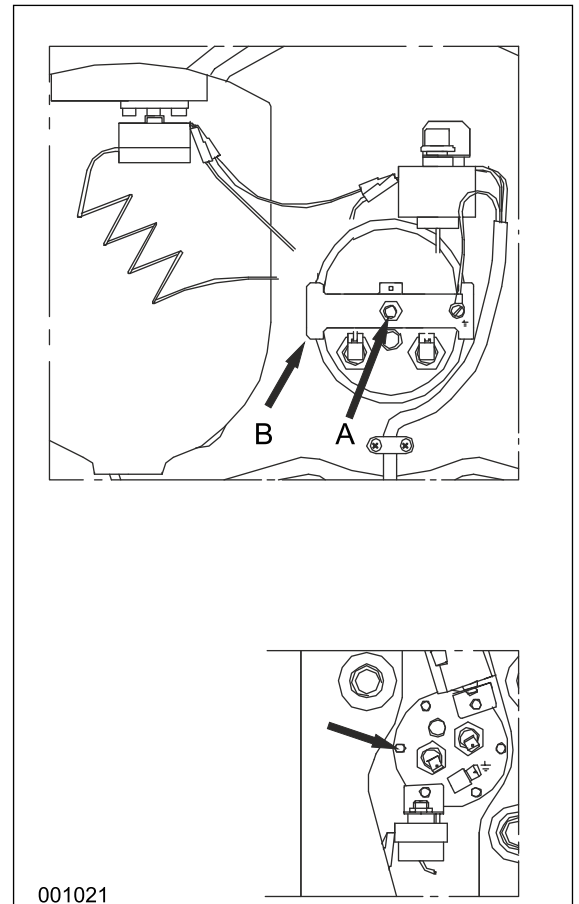


Fig. 11

7. Doppio scambiatore di calore, Basic 40 e 75 litri.

Gli scaldabagno con doppio scambiatore di calore sono dotati di collegamenti standard per il secondo scambiatore di calore situati anch'essi sul lato anteriore.

Vedere Fig. 4.

La sostituzione della resistenza si effettua come descritto sopra.

8. Dati tecnici

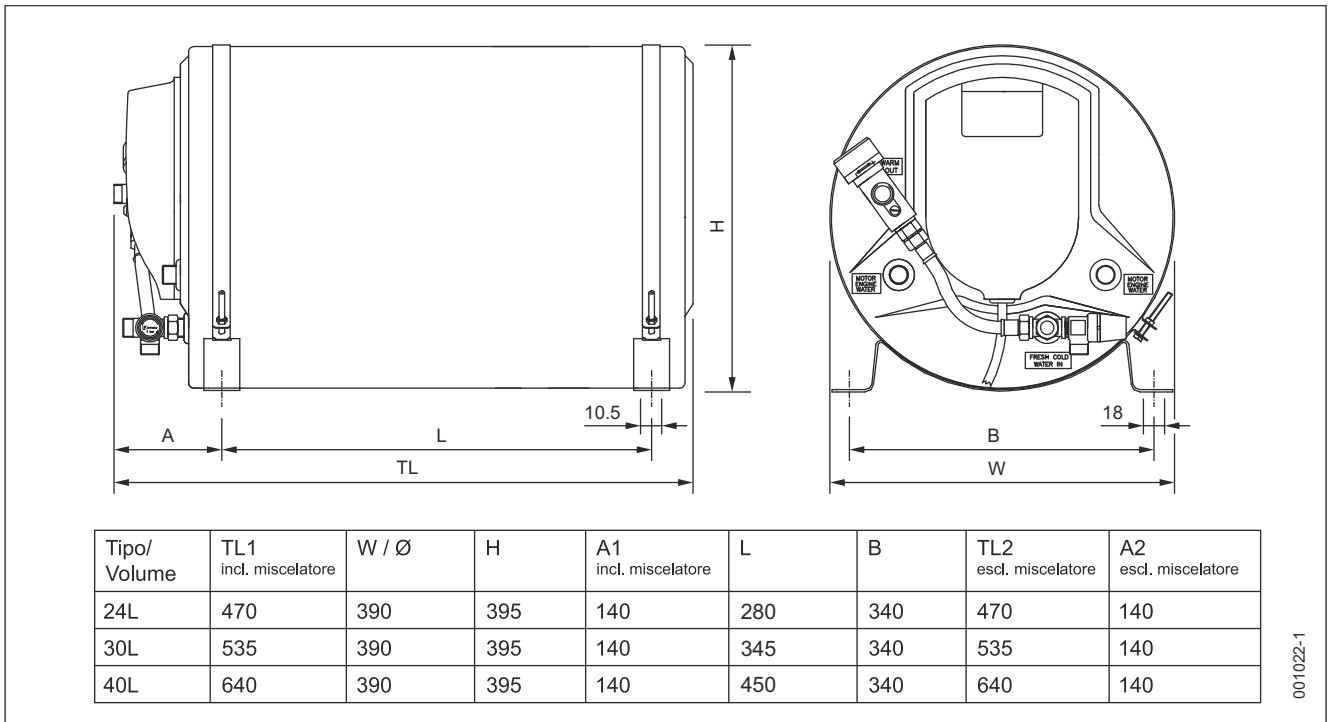
8.1 Basic

Tipo	Volume litri	Peso kg	Resistenza	Opzioni resistenza	Miscelatore termostatico
602431B000000	24	12.5	230V~ 750W	115V~ 750W	-
602431B000003	24	12.5	230V~ 750W	115V~ 750W	X
602431BD000000 (Doppie bobine)	24	13	230V~ 750W	115V~ 750W	-
602431BD000003 (Doppie bobine)	24	13	230V~ 750W	115V~ 750W	X
603031B000000	30	13.5	230V~ 750W	115V~ 750W	-
603031B000003	30	13.5	230V~ 750W	115V~ 750W	X
604031B000000	40	15.5	230V~ 750W	115V~ 750W 115V~ 1200W * 230V~ 1200W *	-
604031B000003	40	15.5	230V~ 750W	115V~ 750W 115V~ 1200W * 230V~ 1200W *	X
604031BD000000 (Doppie bobine)	40	16	230V~ 750W	115V~ 750W 115V~ 1200W * 230V~ 1200W *	-
604031BD000003 (Doppie bobine)	40	16	230V~ 750W	115V~ 750W 115V~ 1200W * 230V~ 1200W *	X
605031B000000	50	17	230V~ 750W	115V~ 750W 115V~ 1200W * 230V~ 1200W * 230V~ 2000W *	-
605031B000003	50	17	230V~ 750W	115V~ 750W 115V~ 1200W * 230V~ 1200W * 230V~ 2000W *	X
607531B000000	75	24.5	230V~ 750W	115V~ 750W 115V~ 1200W * 230V~ 1200W * 230V~ 2000W *	-
607531B000003	75	24.5	230V~ 750W	115V~ 750W 115V~ 1200W * 230V~ 1200W * 230V~ 2000W *	X
607531BD000000 (Doppie bobine)	75	25	230V~ 750W	115V~ 750W 115V~ 1200W * 230V~ 1200W * 230V~ 2000W *	-
607531BD000003 (Doppie bobine)	75	25	230V~ 750W	115V~ 750W 115V~ 1200W * 230V~ 1200W * 230V~ 2000W *	X

* - Resistenza elettrica 1200/2000 W è applicabile soltanto nella posizione orizzontale dell'apparecchio!

Dimensioni: Vedere fig 12a, 12b
 Materiale: Bobina, serbatoio e raccordi dello scambiatore di calore: acciaio inox AISI 316.
 Coperchio esterno e staffe di montaggio: Acciaio inox AISI 304
 Resistenza: Rame nichelato
 Isolamento: Poliuretano
 Valvola di sicurezza: 7 bar

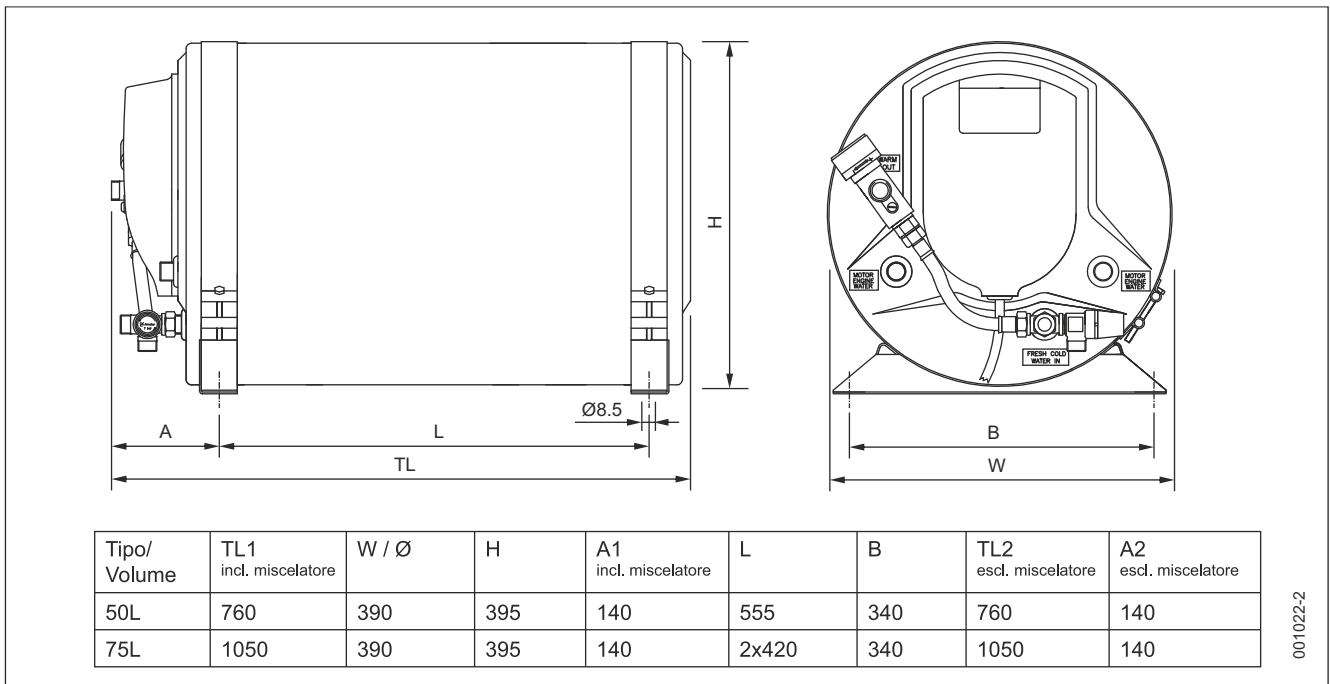
Dimensioni Basic 24, 30, 40



001022-1

Fig. 12a

Dimensioni Basic 50, 75



001022-2

Fig. 12b

8.2 Slim

Tipo	Volume litri	Peso kg	Resistenza	Opzioni resistenza	Miscelatore termostatico
601531S000000	15	9	230V~ 750W	115V~ 750W	-
601531S000003	15	9	230V~ 750W	115V~ 750W	X
602031S000000	20	10.5	230V~ 750W	115V~ 750W 115V~ 1200W * 230V~ 1200W *	-
602031S000003	20	10.5	230V~ 750W	115V~ 750W 115V~ 1200W * 230V~ 1200W *	X
602531S000000	25	12	230V~ 750W	115V~ 750W 115V~ 1200W * 230V~ 1200W * 230V~ 2000W *	-
602531S000003	25	12	230V~ 750W	115V~ 750W 115V~ 1200W * 230V~ 1200W * 230V~ 2000W *	X

* - Resistenza elettrica 1200/2000 W è applicabile soltanto nella posizione orizzontale dell'apparecchio!

Dimensioni: Vedere fig 13
 Materiale: Bobina, serbatoio e raccordi dello scambiatore di calore: acciaio inox AISI 316
 Coperchio esterno e staffe di montaggio: Acciaio inox AISI 304
 Resistenza: Rame nichelato
 Isolamento: Poliuretano
 Valvola di sicurezza: 7 bar

Dimensioni, Slim

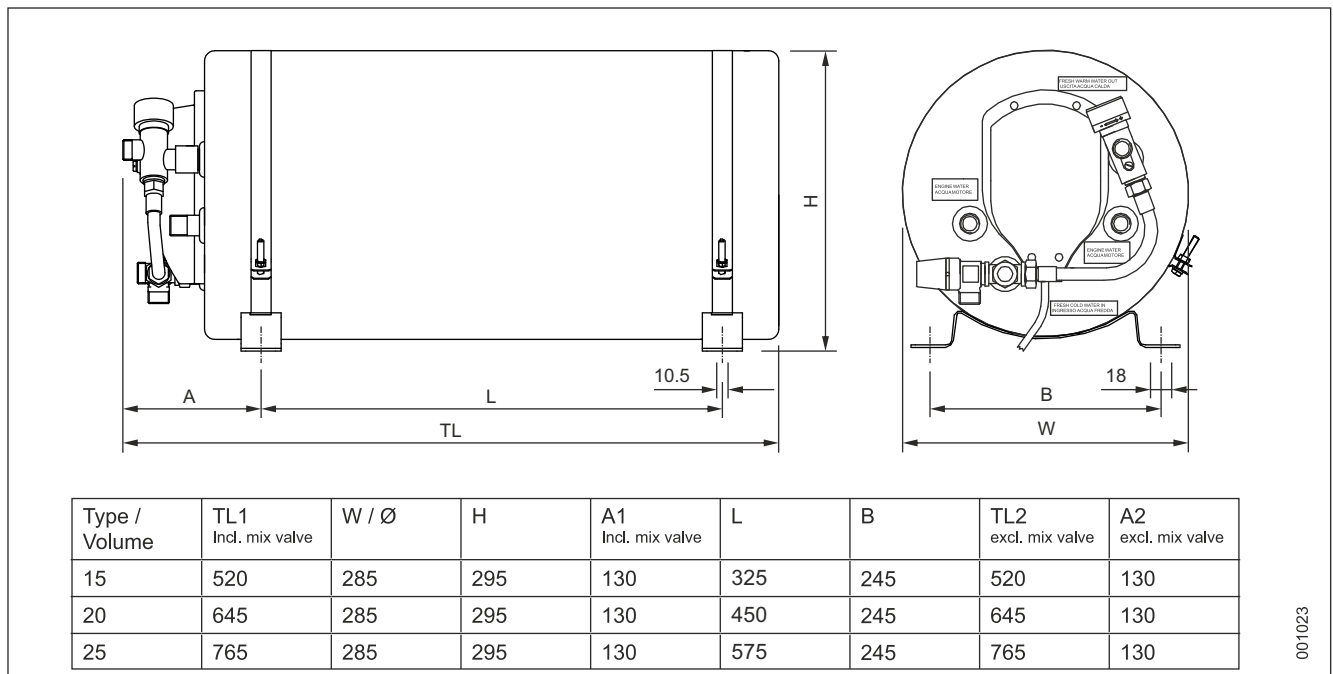


Fig. 13

001023

8.3 Slim Square

Tipo	Volume litri	Peso kg	Resistenza	Opzioni resistenza	Miscelatore termostatico
601631Q000000	16	15.5	230V~ 750W	115V~ 750W	-
601631Q000003	16	15.5	230V~ 750W	115V~ 750W	X

Dimensioni: Vedere fig 14

Materiale: Bobina, serbatoio e raccordi dello scambiatore di calore: acciaio inox AISI 316
Coperchio esterno e staffe di montaggio: Acciaio inox AISI 304

Resistenza: Rame nichelato

Insolamento: Poliuretano

Valvola di sicurezza: 5 bar

Dimensioni, Slim Square

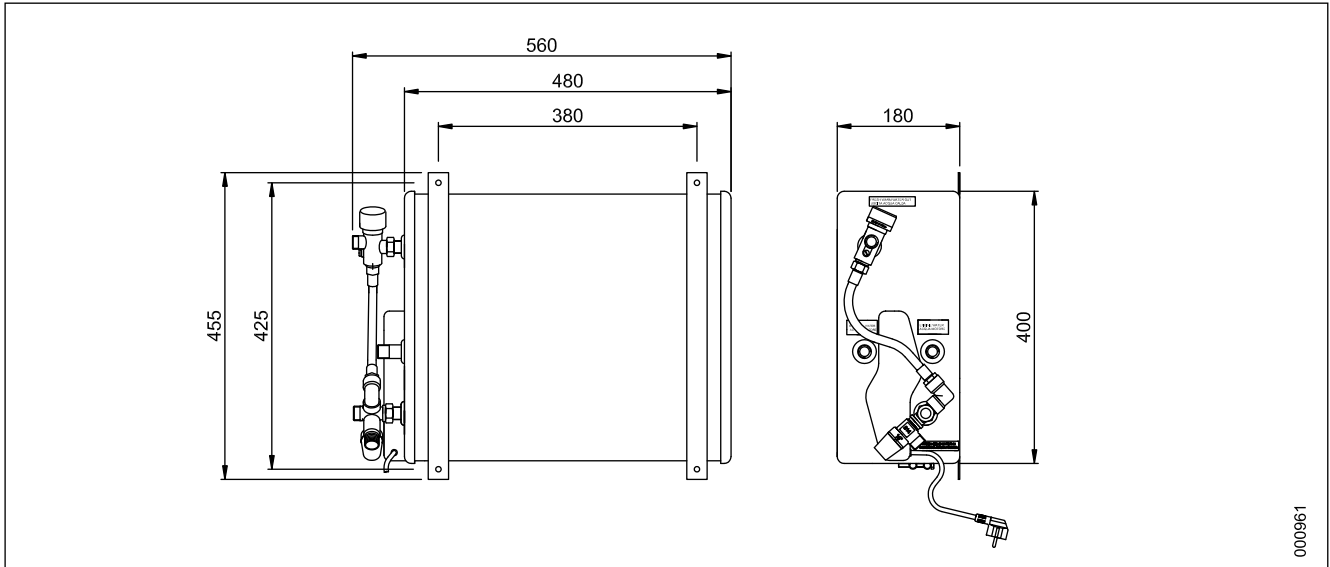


Fig. 14

In caso di necessità ed in caso di situazioni di discordanza insorte riguardo alla traduzione ed alla terminologia adottata nella presente versione di lingua dell'istruzione di montaggio e di uso, prevale la versione in lingua inglese.

9. Garanzia fornita da Indel Webasto Marine

La garanzia fornita da Indel Webasto Marine è conforme alla Direttiva 2019/771

9.1 Periodo di validità

La garanzia per tutti gli scaldabagno Isotemp è valida per 2 anni contro i costi di manodopera, riparazione e sostituzione, ma solo se effettuati nei punti di assistenza autorizzati della catena di IWM. La validità della garanzia è 5 anni contro la perdita del serbatoio interno o della serpentina di scambio termico (i costi di manodopera sono esclusi dopo i primi 2 anni).

La garanzia è valida solo per scaldabagno montati su barche e non è valida per scaldabagno montati su veicoli ricreazionali o su altre installazioni diverse dalle marine.

Il termine di garanzia inizia a decorrere da:

- a) La data di vendita del prodotto indicata nello scontrino o nella fattura
- b) La data di vendita nella fattura o la registrazione della prima vendita della barca sulla quale è montato il prodotto, se il montaggio è effettuato dal produttore della barca.
- c) Se nessuna delle condizioni suddette è presente, la validità inizia a decorrere dall'anno e dalla settimana di produzione indicati nel S/N (il numero di serie) sull'etichetta del prodotto.

La sostituzione del prodotto o delle parti componenti, non fa variare il termine di validità della garanzia.

9.2 La garanzia copre:

- Sostituzione o riparazione del prodotto o di uno o più componenti riconosciuti come inconveniente a causa di difetto di produzione.
- Guasto o malfunzionamento dei componenti nei termini di validità della garanzia nonostante il montaggio corretto e l'uso appropriato comprovati.
- Manodopera e costi di trasporto basati sulle Procedure operative nel presente documento.
- Costi di trasporto del prodotto in caso di sostituzione (esclusi i costi di sdoganamento).

9.3 La garanzia non copre difetto o danni causati da:

- negligenza, disattenzione o uso improprio
- montaggio errato o manipolazione incauta
- collegamento elettrico errato
- cavi sottodimensionati
- manutenzione scorretta o manutenzione effettuata da personale non autorizzato
- mancata osservanza delle istruzioni indicate nel manuale di uso dell'utente
- danni a causa del trasporto
- prodotti montati in altro posto diverso da una barca
- perdita di acqua dello scaldabagno in cui l'acqua usata non è pura, dolce o è di alta conducibilità elettrica o con elevato contenuto di sali
- costi di sdoganamento
- uso professionale
- danni causati dagli effetti di agenti atmosferici
- costi di smontaggio e/o di rimontaggio di arredamento o di altre strutture

9.4 Informazione utile per verificare se un caso concreto è coperto dalla garanzia:

- Numero del prodotto (Type) (presente sull'etichetta del prodotto)
- S/N (numero di serie)(presente sull'etichetta del prodotto)
- Fattura, ricevuta o documento di registrazione (vedere il paragrafo Validità della garanzia)
- Tipo della barca
- Descrizione dettagliata dell'anomalia. (Se possibile, allegare fotografie)
- Descrizione del montaggio. (Se possibile, allegare fotografie)

(Se si dovesse verificare che la garanzia non copre il caso concreto, il cliente deve pagare i costi per eventuale riparazione, sostituzione, viaggio e trasporto. IWM non è tenuta a coprire tutti i costi.)

9.5 Procedure operative applicate una volta verificato che la garanzia non copre il caso concreto

L'assistenza di garanzia deve essere effettuata solo dai partner di assistenza della società IWM (consultare la lista sul sito www.indelwebastomarine.com).

IWM non copre i costi di assistenza effettuata da altre persone.

Il tecnico del punto di assistenza autorizzato da IWM sale a bordo se la barca è posizionata al massimo a 100 km dal punto di assistenza. IWM copre le spese di trasporto. Se la barca è posizionata ad una distanza che supera 100 km dal punto di assistenza, il suo proprietario può scegliere se pagare le spese di trasporto al tecnico (il pagamento avviene direttamente al tecnico) o spostare la barca più vicino.

IWM non rimborsa spese per pezzi di ricambio acquistati da un altro posto salvo l'acquisto da IWM o da distributore ufficiale di IWM.

Inhaltsverzeichnis

1. Sicherheitsanweisungen
2. Platzierung des Warmwasserbereiters
3. Montage
4. Anschlüsse
 - 4.1 Material
 - 4.2 Schläuche
 - 4.3 Anschluss an den Motor
 - 4.4 Frischwassersystem
 - 4.5 Elektroanschlüsse
5. Anlauf / Probelauf
6. Wartung
 - 6.1 Druckentlastungseinrichtung / Sicherheitsventil
 - 6.2 Winterentleerung
 - 6.3 Austausch von Thermostaten
 - 6.4 Austausch von Heizstäben
7. Doppelter Motorwasser-Wärmetauscher
8. Technische Daten
 - 8.1 Basic
 - 8.2 Slim
 - 8.3 Slim Square
9. Garantie

1. Sicherheitsanweisungen

Diese Bedienungsanweisung wurde als Anleitung zu einer sicheren Anwendung dieses Warmwasserbereiters zusammengestellt. Sie enthält Informationen zur Anwendung und Wartung.

Bitte lesen Sie die Bedienungsanweisung gründlich durch, damit Sie das Produkt gut kennen lernen, und verwahren Sie die Anweisung an einem geeigneten Platz an Bord.

Es ist wichtig, dass der Warmwasserbereiter richtig montiert und gepflegt wird. Im Winter, wenn der Warmwasserbereiter nicht benutzt wird, muss das Frischwasser sorgfältig entleert werden, um Gefrierschäden an Tank und Ventilen zu vermeiden. Jeder Warmwasserbereiter wird vor Lieferung in der Herstellung getestet und hat zwei Jahre Werksgarantie auf Material- und/oder Herstellungsfehler.

Indel Marine S.r.l. übernimmt keine Haftung für Schäden am Produkt oder Personenschäden, die aufgrund unsachgemäßer Installation oder Handhabung entstehen.



Gefahr!

Sämtliche 230 V Elektroinstallationen an Bord müssen von befugtem Personal ausgeführt werden. Der Warmwasserbereiter ist an eine Schutzerdung anzuschließen.



Gefahr!

Verwenden Sie immer die richtigen Kabelmaße, richtig ausgelegte Sicherheitsausrüstungen und Fehlerstrom-schutzschalter.



Warnung!

Wenn das Netzkabel beschädigt ist, muss es vom Hersteller, seinem Kundendienst oder einer ähnlich qualifizierten Person ausgetauscht werden, um eine Gefahr zu vermeiden.



Warnung!

Schließen Sie den Heizstab des Warmwasserbereiters nicht an das Netz an, bevor das Gerät mit Wasser gefüllt ist.



Warnung!

Es darf nur reines und trinkbares Süßwasser verwendet werden, das Gehalt vom Salz (Chloride) muss weniger als 50 mg/l und elektrische Leitfähigkeit weniger als 200 $\mu\text{S}/\text{cm}$ betragen. Dies ist eine Voraussetzung für die Gültigkeit der Garantie, da bei Nichtbeachtung der Edelstahl im Tank beschädigt werden kann.



Warnung!

Das Wasser im Warmwasserbereiter wird ebenso warm wie der Motor-Verbrühungsgefahr!

Achtung!

Lesen Sie das Kapitel 4.5 über Korrosionsgefahr bei Landstromanschluss gründlich.

Achtung!

Befolgen Sie sorgfältig die Empfehlungen des Motorherstellers zum Anschluss des Warmwasserbereiters an das Kühlsystem des Motors.

Vorsicht!

Bei Frostgefahr siehe Kapitel 6.2.




Warnung!

Dieses Gerät kann von Kindern ab 8 Jahren und von Personen mit eingeschränkten körperlichen, sensorischen oder geistigen Fähigkeiten oder mangelnder Erfahrung und Kenntnissen verwendet werden, wenn sie beaufsichtigt oder in Bezug auf die Verwendung des Geräts auf sichere Weise angewiesen wurden und die Gefahren verstehen. Kinder dürfen nicht mit dem Gerät spielen. Reinigung und Benutzerpflege dürfen nicht von Kindern ohne Aufsicht durchgeführt werden.

Umwelt:

Dieses Produkt ist gemäß der EG-Direktive 2012/19/EU für elektrischen und elektronischen Abfall gekennzeichnet (Waste Electrical and Electronic Equipment, WEEE).

Indem Sie eine korrekte Entsorgung dieses Produkts sicherstellen, tragen Sie zur Verhinderung von möglichen negativen Konsequenzen für unsere Umwelt und unsere Gesundheit bei, die bei nicht sachgerechter Handhabung des Produkts entstehen könnten.

Das Symbol  auf dem Produkt oder in der mitgelieferten Dokumentation zeigt an, dass dieses Produkt nicht als gewöhnlicher Haushaltsabfall behandelt werden darf. Stattdessen ist es in einer geeigneten Sammelstelle zur Wiederaufbereitung von elektrischer und elektronischer Ausrüstung abzugeben.

Das Produkt muss gemäß den örtlichen Umweltbestimmungen zur Abfallentsorgung entsorgt werden.

Für weitere Informationen zur Handhabung, Rückgewinnung und Wiederverwertung dieses Produktes wenden Sie sich bitte an die örtlichen Behörden, das örtliche Entsorgungsunternehmen oder das Geschäft, in dem Sie das Produkt erworben haben.

2. Platzierung des Warmwasserbereiters

Der Warmwasserbereiter kann überall im Boot platziert werden, solange er so montiert ist, dass der Motorwasser-Wärmetauscher nicht höher liegt als das Expansionsgefäß des Motors (Abb.1). Es ist von Vorteil, wenn die Schläuche zwischen Motor und Warmwasserbereiter so kurz wie möglich sind, um Wärmeverlust und Strömungswiderstand zu minimieren. Der Wärmetauscher des Warmwasserbereiters kann entweder parallel oder in Reihe zum Kühlwasserkreislauf des Motors angeschlossen werden.

Die Wahl ist abhängig von der Angabe des Motorherstellers dazu, wie der Warmwasserbereiter angeschlossen werden soll.

Wenden Sie sich bitte an den Motorhersteller oder dessen Repräsentanten für Empfehlungen zu Montage und Anschluss von Motorwasserschläuchen an Motor und Warmwasserbereiter.

Falls der Warmwasserbereiter höher als das Expansionsgefäß des Motors platziert werden muss, müssen die Motorwasserschläuche am höchsten Punkt mit einem Entlüftungsnippel versehen sein, damit das System effektiv entlüftet werden kann. Diese Ausrüstung ist als Zubehör erhältlich.

Anschlußschema

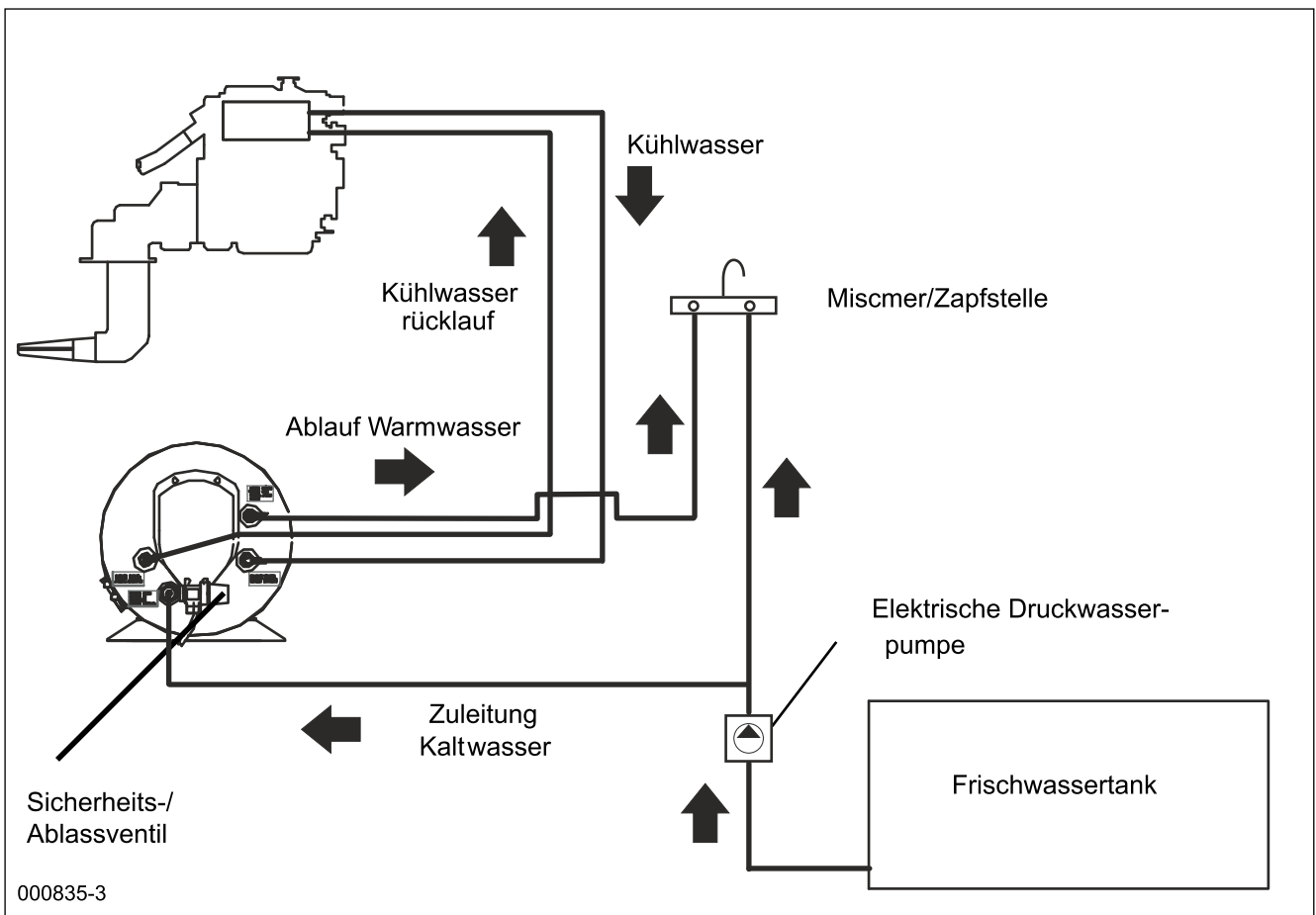


Abb. 1

3. Montage

Isotemp Basic, Slim & Slim Square sind so gestaltet, dass sie waagrecht oder senkrecht montiert werden können, sicher verankert in ihren Haltefüßen. Sie sind immer mit den Anschlüssen nach unten gerichtet anzubringen, damit der Warmwasserbereiter entleert werden kann. Bei Basic und Slim lassen sich die Füße um das Gerät drehen, um die Montage auch an einem Schott zu erleichtern. Das Gerät ist immer so zu montieren, dass das Sicherheitsventil mit Entleerfunktion den niedrigsten Punkt des Warmwasserbereiters darstellt.

Denken Sie daran, dass sich das Gewicht des Gerätes erhöht, wenn Wasser eingefüllt ist. Montieren Sie den Warmwasserbereiter so, dass vor bzw. unter dem Gerät ausreichend Platz für Servicearbeiten ist, wie Austausch von Heizstab, Thermostaten usw. Siehe Abb. 2. Slim Square kann stehen, liegen oder in alle möglichen Positionen gedreht werden, wie in Abb. 7 zu sehen ist.

Abb. 3 zeigt die Wasseranschlüsse am Basic, Abb. 4 Basic mit doppeltem Wärmetauscher, Abb. 5 Slim und Abb. 6. Slim Square.

Es sollten mindestens 30 cm vor / unter dem Gerät frei gehalten werden, um den Service zu erleichtern.

Isotemp Basic & Slim

Montagemöglichkeiten, wagerecht oder senkrecht.

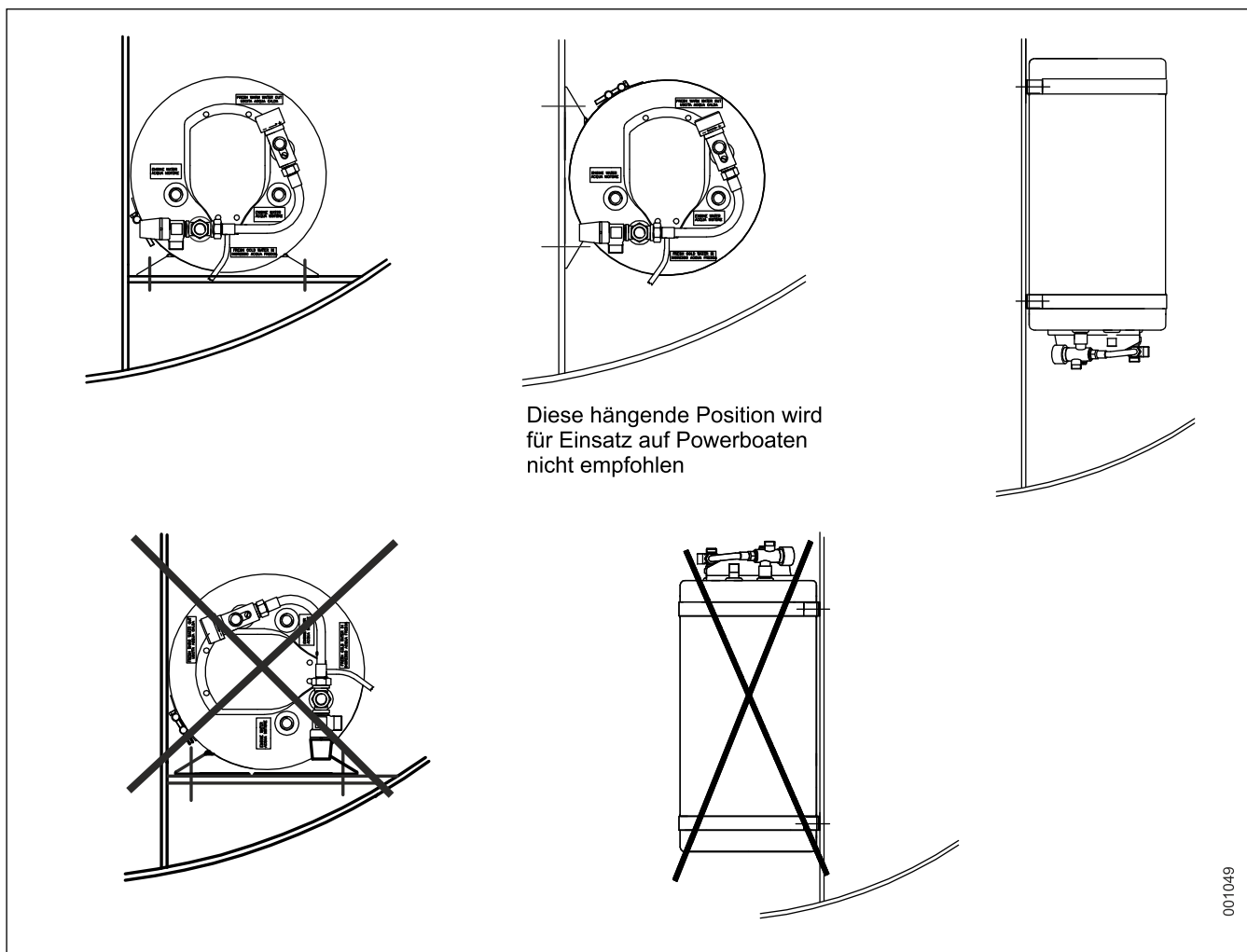


Abb. 2

Isotemp Basic ohne und mit Thermostatmischer

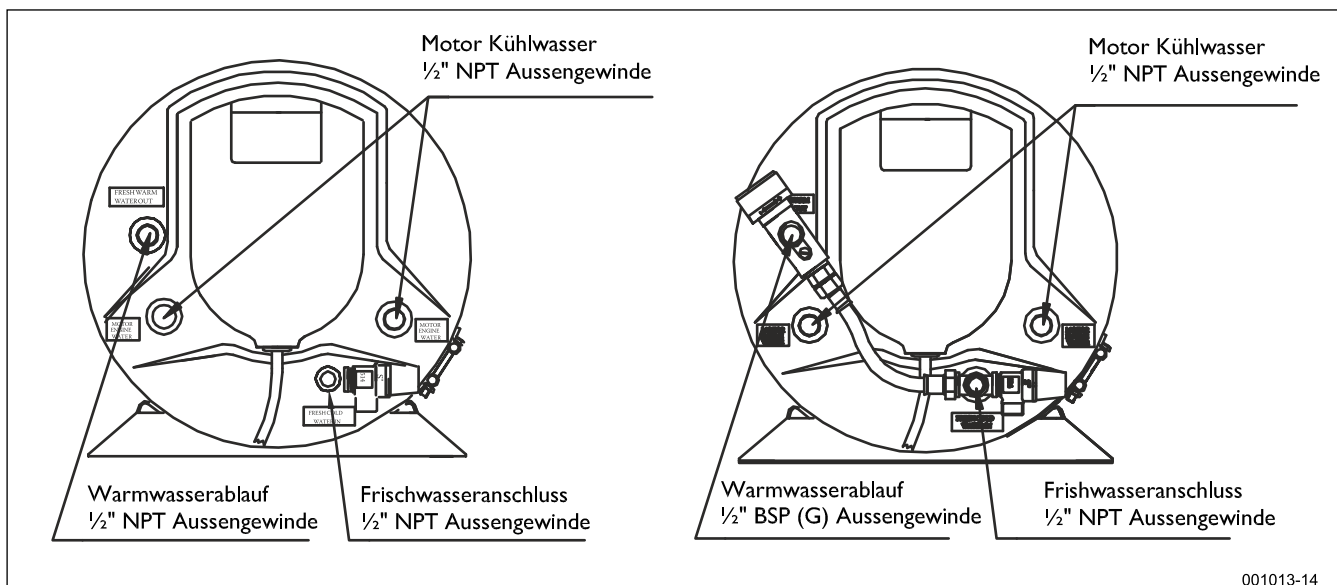


Abb. 3

Isotemp Basic mit dobbeltem Motorwasser-Wärmetauscher,
ohne und mit Thermostatmischer

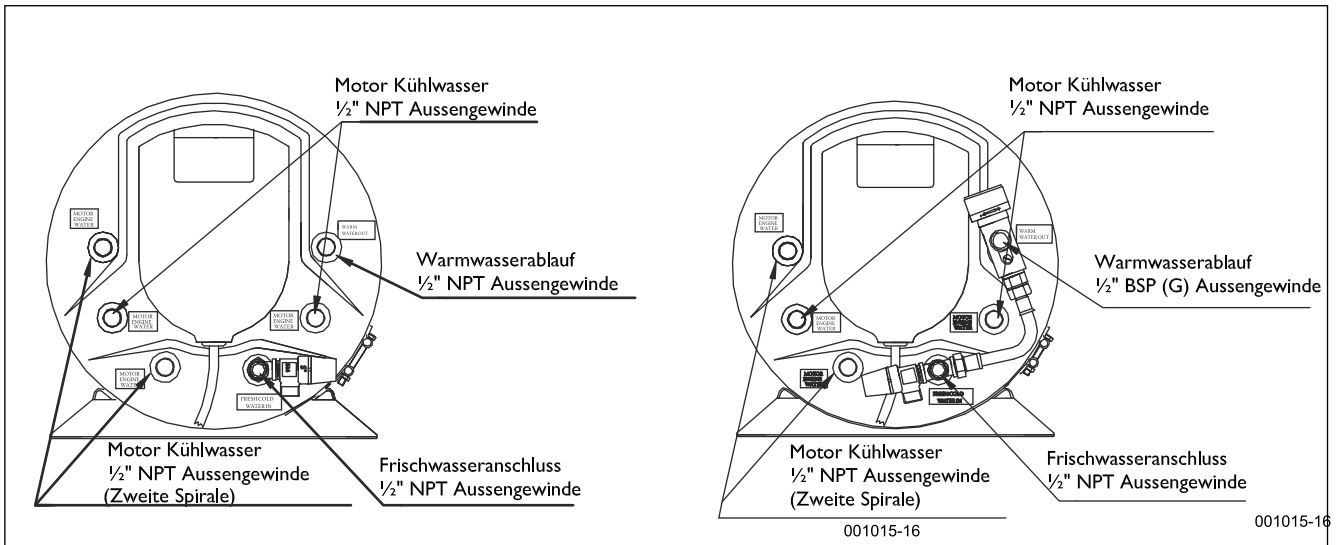


Abb.4

Isotemp Slim ohne und mit Thermostatmischer

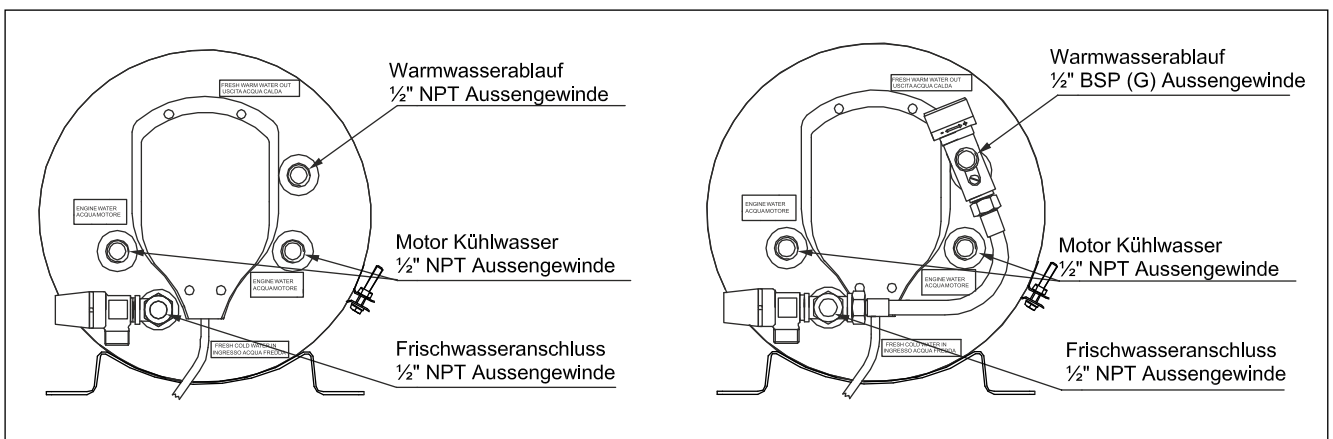


Abb. 5

Bemerkun:

Schlauchanschlusstüllen mit gerade G $\frac{1}{2}$ \"/>

Slim Square ohne und mit Thermostadmischer

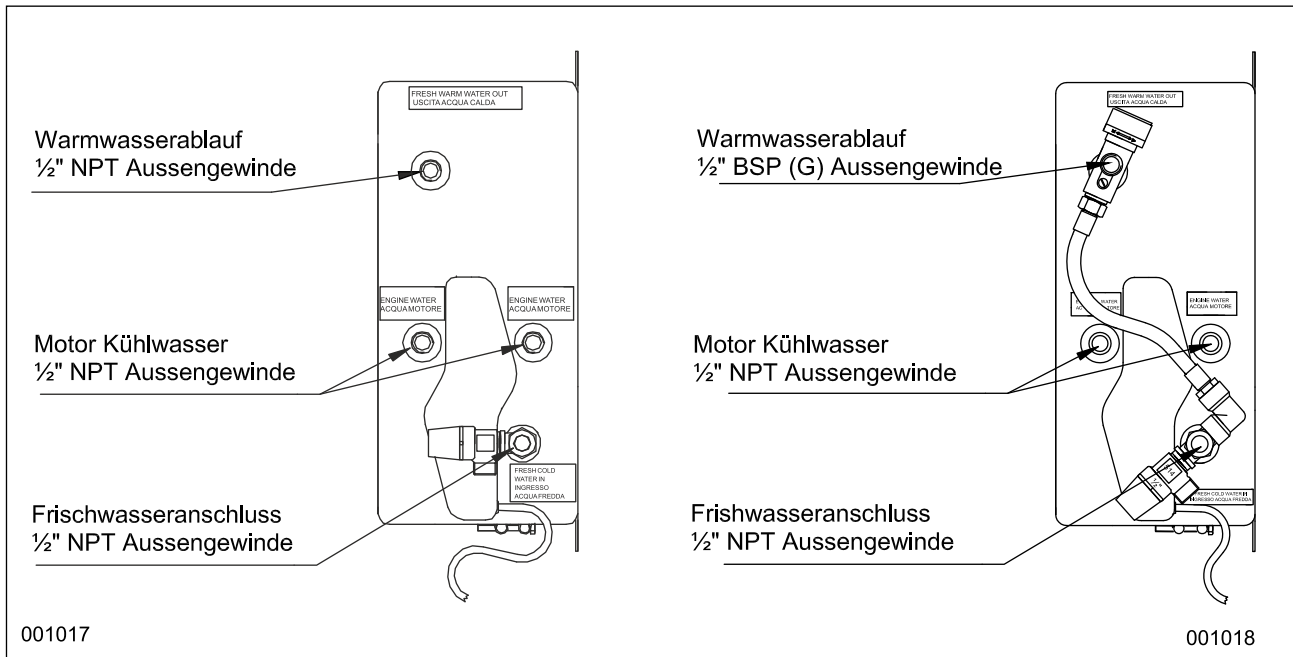


Abb. 6

Slim Square

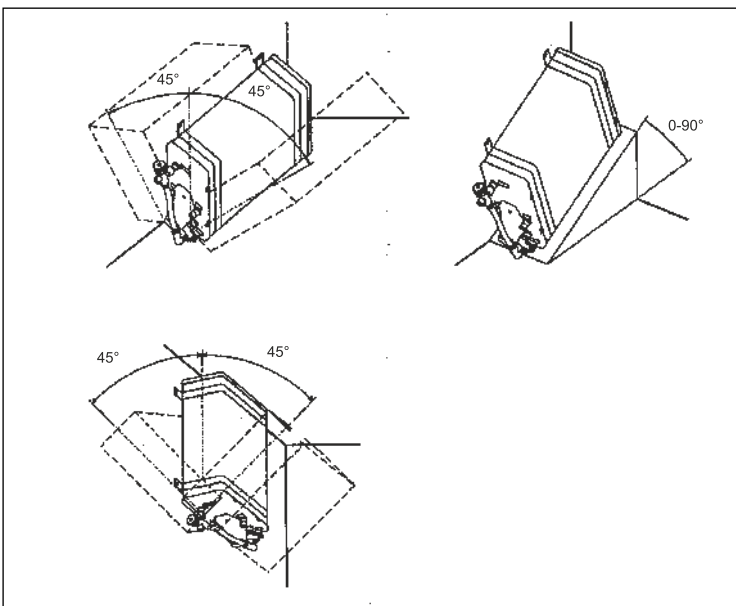


Abb. 7

Slim Square Alternative Montagepositionen. Denken Sie daran, dass das Sicherheitsventil mit seiner Entleerungsfunktion immer den niedrigsten Punkt des Warmwasserbereiters darstellen muss.

4. Wasseranschlüsse

4.1 Material: Verwenden Sie nur Nippel, Rohrkrümmer usw. aus rostbeständigem Material, wie Messing oder Edelstahl. Ein Nippelsatz für die Schlauchanschlüsse ist als Zubehör erhältlich.

Kunststoffnippel sollten aus Festigkeitsgründen vermieden werden. Bei einem plötzlichen großen Leck kann die Motorkühlung ausbleiben und heißes Wasser verspritzt werden.

4.2 Schläuche: Verwenden Sie für die Kühlflüssigkeitsschläuche nur wärmebeständige (mind. 100°C), gewebeverstärkte Gummischläuche, die resistent gegen Kühlflüssigkeit sind und 5 bar Druck

standhalten. Für die Frischwasseranschlüsse müssen Schläuche verwendet werden, die wärmebeständig sind, 8 bar Druck standhalten und keinen Geschmack abgeben (Lebensmittelqualität). Dies gilt auch für die Kaltwasserzuleitung.

Alle Schläuche werden sorgfältig mit Schlauchklemmen gesichert.

Anschlüsse mit Gewinde werden mit einer Gewindedichtung/Versiegelung vom Typ Loctite 577, Bondline T 777 oder ähnlichem abgedichtet. Schlauchnippel mit Gewinde G $\frac{1}{2}$ " (1/2" BSP) passen auf die Gewindeanschlüsse des Warmwasserbereiters.

4.3 Motoranschlüsse (siehe Anschlusschema, Abb. 1):

Die Warmwasserbereiter sind für den Anschluss an Motoren mit Frischwasserkühlung vorgesehen.

Folgen Sie den Angaben des Motorherstellers zu geeigneten Ausgängen am Kühlwassersystem des Motors, an denen die Schlauchnippel montiert werden sollen. Die Ausgänge müssen über einen solchen Druckunterschied verfügen, dass die Kühlwasserzirkulation zum Warmwasserbereiter ausreichend ist (mind. 2 L/min). Wenn das Boot zwei Motoren hat, wird der Warmwasserbereiter an einen von ihnen angeschlossen. Wenn zwei Warmwasserbereiter montiert werden, werden diese parallel angeschlossen. Schläuche, Nippel und Rohre dürfen nicht schwächer dimensioniert sein als die Anschlüsse des Warmwasserbereiters (16 mm / 5/8"), um Drosselungen zu verhindern.

Beim Anschluss an kleine Dieselmotoren von 10-15 PS kann es jedoch notwendig sein, die Durchflussmenge durch den Warmwasserbereiter zu verringern, um die Kühlkapazität des Motors beizubehalten.

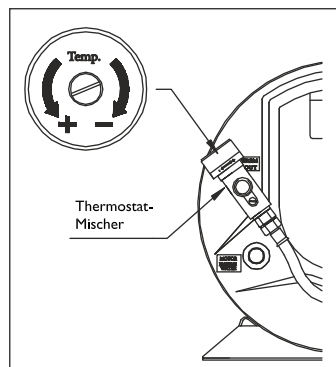
4.4 Frischwasseranschluss (siehe Anschlusschema, Abb. 1):

Der Warmwasserbereiter ist so anzuschließen, dass er von einer elektrischen Druckwasserpumpe mit Frischwasser vom Wassertank versorgt wird. Die elektrische Druckwasserpumpe darf maximal 3,8 bar Druck erzeugen (2,9 bar für Slim Square), wobei eine Pumpe mit mehreren Membranen einen gleichmäßigeren Förderstrom und weniger Druckstöße erzeugt.

Bei höherem Druck löst das Sicherheitsventil beim Erwärmen des Wassers eventuell bei 7,0 bar aus, beziehungsweise bei 5,5 bar für Slim Square.

Der Warmwasserablauf, der auch den Warmwasserbereiter entlüftet, sollte am jeweiligen Spülbecken an Mischhähne angeschlossen werden, damit immer Kaltwasser zum Erreichen der geeigneten Temperatur zugemischt werden kann.

Warnung! Denken Sie daran, dass das Wasser Motortemperatur hält – Verbrühungsgefahr!



Stellen Sie eine geeignete Temperatur, zwischen 38 und 65°C, am Thermostatmischer des Warmwasserbereiters ein, wenn ein solcher montiert ist.

Wenn ein Schlauchnippel mit Schlauch am Ablauf des Sicherheitsventils, G $\frac{1}{2}$ ", montiert wird, muss auch dieser wärmebeständig sein und mit einer Schlauchklemme fixiert werden. Der Schlauch muss immer einen freien Ablauf haben und darf nicht an einen Hahn oder eine Borddurchführung angeschlossen werden. Beim Erwärmen dehnt sich das Wasser aus, und eine kleinere Menge kann durch den Ablauf des Sicherheitsventils austreten. Dies ist normal.

4.5 Elektroanschlüsse

Siehe Schema Abb. 8

Alle Anschlüsse sind fertig zum Heizstab des Warmwasserbereiters verlegt, und dieser ist mit einem Kabel und einem geerdeten Stecker versehen. Das kurze Kabel markiert, dass sich die Wandsteckdose direkt im Anschluss an den Warmwasserbereiter befinden sollte. Die Wandsteckdose wird mit Doppelsicherung und Fehlerstromschutzschalter an die Landstromeinheit angeschlossen, die sich an Bord befinden muss. Diese Einheiten wie auch die sonstige feste Elektroinstallation im Boot für den Anschluss ans Netz müssen gemäß den geltenden Bestimmungen ausgeführt werden. Der Warmwasserbereiter und seine Installation sind so ausgelegt, dass die geltenden EU-Anforderungen auf diesem Gebiet erfüllt werden.

Achtung! Wenn das Boot für längere Zeit verlassen wird, muss immer der Stecker des Warmwasserbereiters herausgezogen werden, so dass auch die Schutzerdung unterbrochen ist. Dies gilt auch, wenn der Landstromanschluss des Bootes abgeschaltet ist (in einigen Gebieten kann im Elektrosystem ein Potentialunterschied zwischen Schutzleitung und Seewasser = Erdung des Bootes entstehen. Dies kann auf Dauer den Heizstab, Warmwasserbereiter und andere Metallteile an Bord beschädigen).

Die Installation eines Isolationstransformators eliminiert die Gefahr der galvanischen Korrosion bei Landstromanschluss.

Ziehen Sie immer den Stecker des Heizstabes heraus oder unterbrechen Sie auf andere Weise die Landstromverbindung vollständig, bevor Sie die Schutzhaube vor dem Heizstab und den Thermostaten entfernen. Der Elektroschaltkreis enthält einen Betriebsthermostat von 75°C und einen Überhitzungsschutz von 96°C. Wenn der Überhitzungsschutz aktiviert wurde, muss er manuell durch Drücken der Rückstelltaste zurückgestellt werden Siehe Abschnitt 6:2 - Abb 10

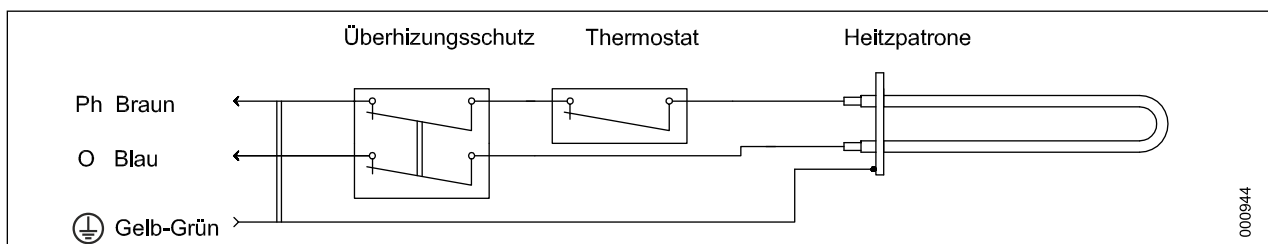


Abb. 8

5. Anlauf / Probelauf

Füllen Sie Frischwasser auf, indem Sie die Druckwasserpumpe starten und den Warmwasserhahn offen lassen, so dass Luft und später Wasser herausströmt. Kontrollieren Sie, dass kein Wasserleck vorhanden ist. Schalten Sie den Elektroanschluss erst ein, wenn der Warmwasserbereiter vollständig mit Wasser gefüllt ist. Die Abwasserleitung vom Sicherheitsventil muss immer freien Auslauf haben. Starten Sie den Bootmotor und kontrollieren Sie, ob der Kühlwasserkreislauf durch den Motorwasser-Wärmetauscher des Warmwasserbereiters anläuft.

6. Wartung

6.1 Druckentlastungseinrichtung / Sicherheitsventil

Die Druckentlastungseinrichtung (Sicherheitsventil) muss regelmäßig betrieben werden (Abb.9), um Kalkablagerungen zu entfernen und um sicherzustellen, dass sie nicht verstopft ist.

6.2 Winterentleerung: Wenn Gefriergefahr besteht, muss das Frischwasser aus dem Warmwasserbereiter abgelassen werden.

Nehmen Sie den Schlauch für den Warmwasserablauf vom Warmwasserbereiter ab oder öffnen Sie die Lüftungsschraube (M5 Kreuzschraube) am Mischventil. Entfernen Sie die Schraube vollständig, um sicherzustellen, dass Luft in den Warmwasserbereiter gelangen kann. Öffnen Sie die Ablasfunktion des Sicherheitsventils, indem Sie den schwarzen Griff am Sicherheitsventil etwas gegen den Uhrzeigersinn drehen. Das Wasser läuft nun über die Ablasöffnung am Sicherheitsventil ab. Wenn das Kühlwassersystem des Motors nicht über eine Frostschutzmischung verfügt, müssen auch Kühlsystem, Schläuche und der Wärmetauscher im Warmwasserbereiter gründlich entleert werden. Danach kann der Warmwasserbereiter den Winter über auf dem Boot bleiben. Ziehen Sie den Stecker heraus, damit das Gerät bei Anschluss des Bootes an das Netz nicht trocken läuft.

6.3 Austausch/Rückstellung von Thermostaten:

Warnung: Schalten Sie erst den Strom ab, und ziehen Sie den Stecker heraus!

Der Heizstab hat als Standard 750 Watt. Wenn ein Heizstab mit höherer Leistung verwendet wird, besteht bei vielen Landstromanlagen die Gefahr der Überbelastung. Der Warmwasserbereiter hat einen Betriebs- und einen Überhitzungsthermostat, die den Strom bei 75°C beziehungsweise 96°C unterbrechen. Wenn der Überhitzungsschutz ausgelöst hat, muss er durch Eindrücken der Kontrolltaste manuell zurückgestellt werden. Siehe Abb. 10.

Überprüfen Sie auch, warum der Überhitzungsschutz ausgelöst hat. Funktioniert der Betriebsthermostat nicht? Ist kein Wasser im Warmwasserbereiter?

Austausch der Thermostate: Nehmen Sie die Kunststoffhaube ab. Ziehen Sie die Kabelschuhe von dem Thermostat ab, der ausgewechselt werden soll. Notieren Sie zuvor die Kabelpositionen!

Die Fühler des Thermostats stecken in einer Tauchhülse mitten im Warmwasserbereiter, ziehen Sie sie heraus. Lösen Sie die Befestigungsschraube des Thermostats und entfernen Sie den Thermostat. Montieren Sie den neuen Thermostat in umgekehrter Reihenfolge. Drücken Sie die Fühlerenden so tief in die Tauchhülse wie möglich.

Achtung! Wenn das Boot für längere Zeit verlassen wird, muss immer der Stecker des Warmwasserbereiters herausgezogen werden, so dass auch die Schutzerdung unterbrochen ist. Dies gilt auch, wenn der Landstromanschluss des Bootes abgeschaltet ist. In einigen Gebieten kann im Elektrosystem ein Potentialunterschied zwischen Schutzleitung und Seewasser = Erdung des Bootes entstehen. Dieser kann den Heizstab, Warmwasserbereiter, Motor und/oder Propeller und Antrieb beschädigen).

Wenn die Schläuche so verlegt wurden, dass sich Lufteinschlüsse gebildet haben, kann es notwendig sein, die Schläuche durch Heben und Senken zu entlüften. Achten Sie darauf, dass die Schläuche richtig fixiert werden. Gleichen Sie bei Bedarf die Kühlflüssigkeit im Kühlsystem des Motors mit der Menge aus, die vom Motorwasser-Wärmetauscher und den Schläuchen des Warmwasserbereiters aufgenommen wird.

Stecken Sie den Stecker des Heizstabes ein, schalten Sie den Hauptschalter ein und kontrollieren Sie, ob der Heizstab das Wasser erwärmt. Kontrollieren Sie, ob alle Schlauchanschlüsse dicht sind.

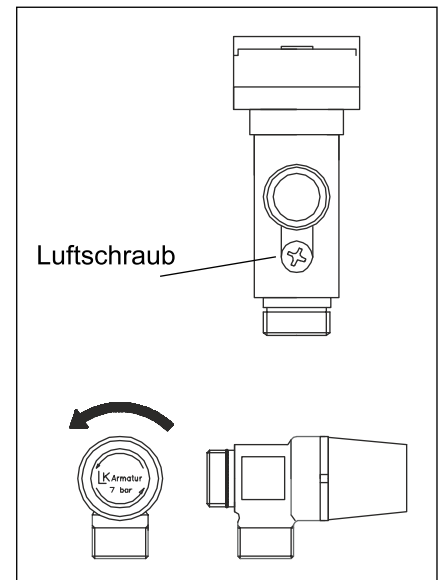


Abb. 9

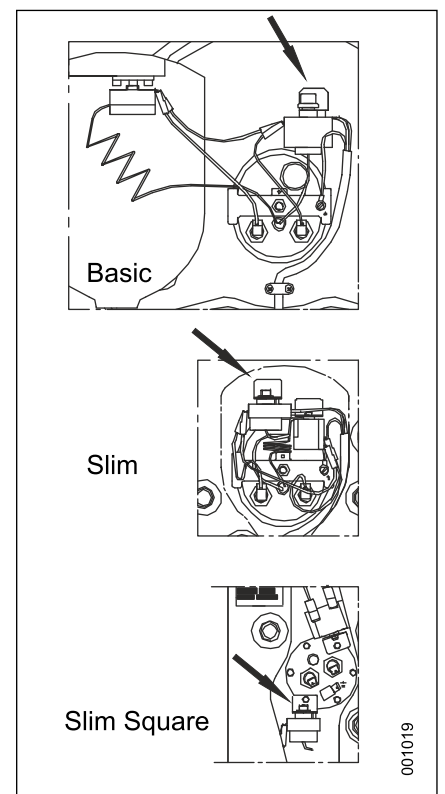


Abb. 10

6.4 Austausch des Heizstabes:

**Warnung! Schalten Sie vorher den Strom ab!
Ziehen Sie den Stecker heraus. Lassen Sie das
Wasser aus dem Tank ab.**

Basic und Slim

Schrauben Sie die Kunststoffhaube ab. Lösen Sie den Thermostat (Slim) und den Überhitzungsschutz aus ihren Halterungen, damit Sie den Heizstab mit Halteplatte leichter erreichen. Nehmen Sie die Stromkabel vom Heizstab ab. Schrauben Sie den Schließbügel ab, Abb. 11B, der Heizstab mit Halteplatte fällt eventuell in den Warmwasserbereiter. Setzen Sie die Mutter, Abb. 11A, wieder auf den Mittelbolzen mit Gewinde. Die gesamte Einheit lässt sich so besser halten. Drehen Sie die Halteplatte mit Heizstab innen im Tank um 90° nach links, so dass die Kabelhalterungen nach rechts zeigen. Drehen Sie die ganze Einheit so, dass sie innen im Tank an die Wand zur Linken stößt, über dem Rohr des Motorwasser-Wärmetauschers. Fädeln Sie die gesamte Einheit mit der linken Seite zuerst durch die Öffnung. Dies wird erleichtert, indem man zuvor die Gummidichtung nach innen abzieht. Lösen Sie den Heizstab von der Halteplatte, (NV 19 mm), montieren Sie dann einen neuen Heizstab mit neuen Stützringen und Gummidichtungen.

Montieren Sie die gesamte Einheit wieder in umgekehrter Reihenfolge, aber setzen Sie zuerst die große Gummidichtung auf. Der Heizstab soll nach der Montage leicht nach unten in den Tank zeigen und parallel zur Tauchhülse sitzen.

Slim Square

Der Heizstab im Slim Square ist an einer runden Scheibe befestigt, die mit sechs Schrauben an einem Flansch am Warmwasserbereiter verschraubt ist. Siehe Abb. 11. Der Heizstab ist mit einer glatten Gummidichtung ausgestattet.

Notieren Sie, in welcher Position die Haltescheibe mit Heizstab montiert ist. Ziehen Sie zunächst die Elektrokabel vom Heizstab ab. Lösen Sie die sechs Schrauben. Der Heizstab kann nun mit Scheibe herausgezogen werden. Schrauben Sie den Heizstab von der Scheibe ab (NV 19 mm), montieren Sie einen neuen Heizstab mit neuen Stützringen und Gummidichtungen. Montieren Sie den Heizstab mit Haltescheibe zusammen mit einer neuen Gummidichtung in derselben Position wie zuvor.

7. Basic 40 & 75 L mit doppeltem Motorwasser-Wärmetauscher

Die Anschlüsse der beiden Motorwasser-Wärmetauscher gehen aus Abb. 4 hervor. Beide Wärmetauscher haben Anschlüsse an der vorderen Schmalseite des Warmwasserbereiters. Der Austausch des Heizstabes wird ausgeführt wie oben für Basic beschrieben. Siehe Abb. 4.

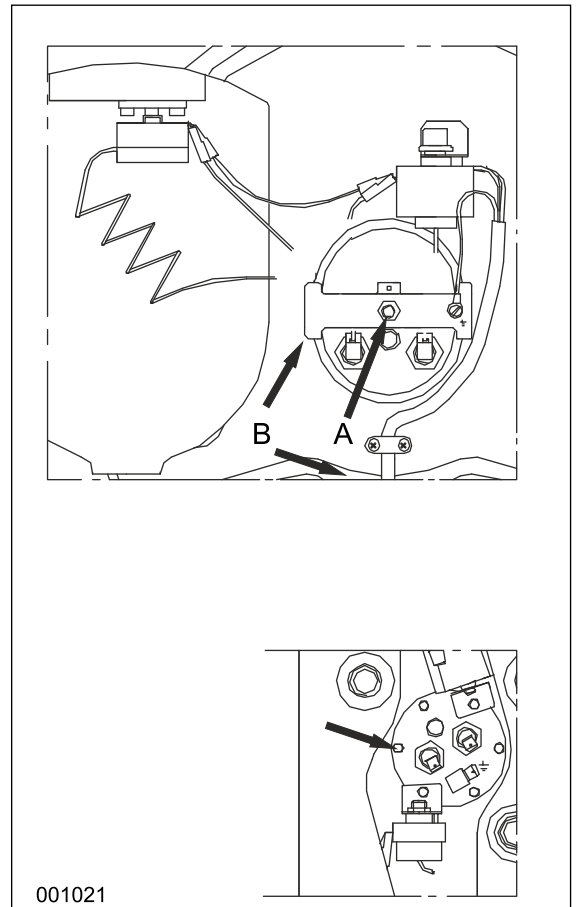


Abb. 11

8. Technische Daten

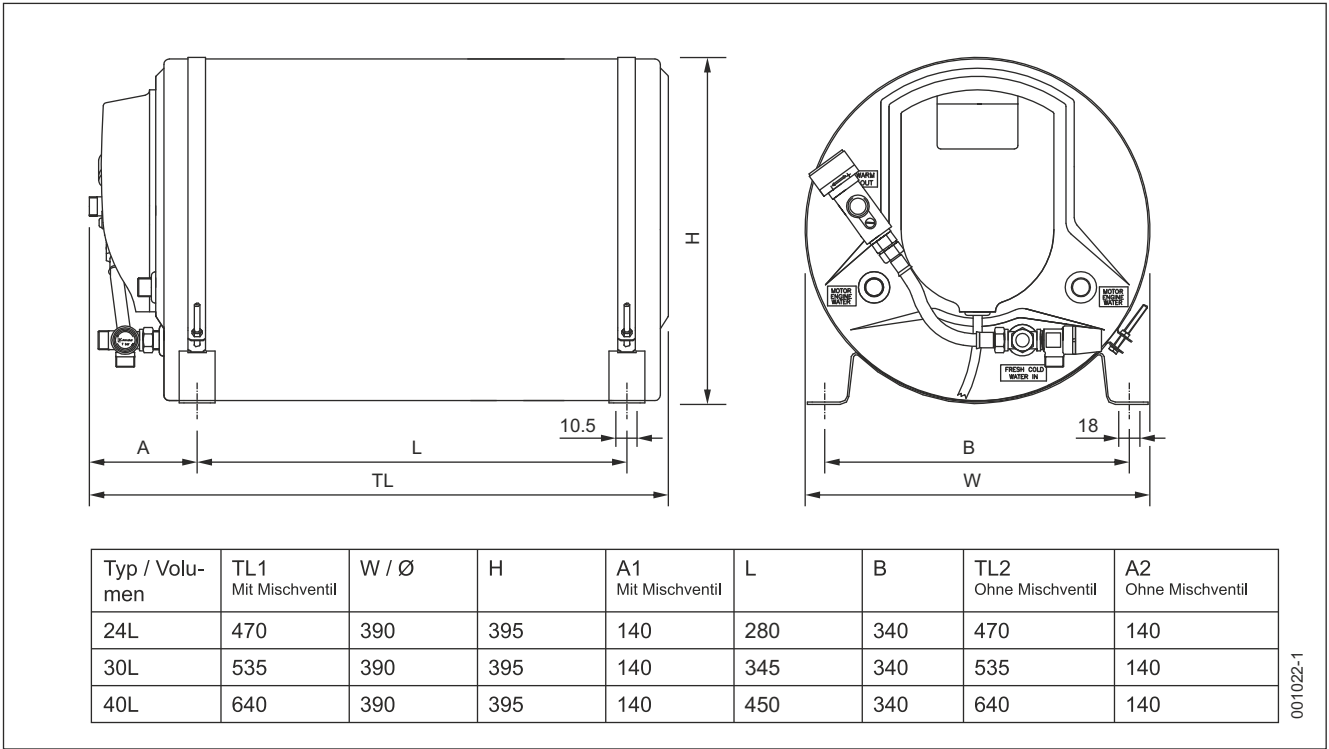
8.1 Basic

Type	Volumen Lit.	Gewicht kg	Heizstab	Heizstab Zuwahl	Thermostat-Mischer
602431B000000	24	12.5	230V~ 750W	115V~ 750W	-
602431B000003	24	12.5	230V~ 750W	115V~ 750W	X
602431BD000000 (Doppelter Motorwasser-Wärmetauscher)	24	13	230V~ 750W	115V~ 750W	-
602431BD000003 (Doppelter Motorwasser-Wärmetauscher)	24	13	230V~ 750W	115V~ 750W	X
603031B000000	30	13.5	230V~ 750W	115V~ 750W	-
603031B000003	30	13.5	230V~ 750W	115V~ 750W	X
604031B000000	40	15.5	230V~ 750W	115V~ 750W 115V~ 1200W * 230V~ 1200W *	-
604031B000003	40	15.5	230V~ 750W	115V~ 750W 115V~ 1200W * 230V~ 1200W *	X
604031BD000000 (Doppelter Motorwasser-Wärmetauscher)	40	16	230V~ 750W	115V~ 750W 115V~ 1200W * 230V~ 1200W *	-
604031BD000003 (Doppelter Motorwasser-Wärmetauscher)	40	16	230V~ 750W	115V~ 750W 115V~ 1200W * 230V~ 1200W *	X
605031B000000	50	17	230V~ 750W	115V~ 750W 115V~ 1200W * 230V~ 1200W * 230V~ 2000W *	-
605031B000003	50	17	230V~ 750W	115V~ 750W 115V~ 1200W * 230V~ 1200W * 230V~ 2000W *	X
607531B000000	75	24.5	230V~ 750W	115V~ 750W 115V~ 1200W * 230V~ 1200W * 230V~ 2000W *	-
607531B000003	75	24.5	230V~ 750W	115V~ 750W 115V~ 1200W * 230V~ 1200W * 230V~ 2000W *	X
607531BD000000 (Doppelter Motorwasser-Wärmetauscher)	75	25	230V~ 750W	115V~ 750W 115V~ 1200W * 230V~ 1200W * 230V~ 2000W *	-
607531BD000003 (Doppelter Motorwasser-Wärmetauscher)	75	25	230V~ 750W	115V~ 750W 115V~ 1200W * 230V~ 1200W * 230V~ 2000W *	X

* - Heizelemente 1200/2000 W sind nur in waagerechter Position des Geräts einsetzbar!

Maße: Siehe Abb. 12a, 12b
 Material: Wärmetauscherrohr, Innentank und Anschlüsse: Edelstahl AISI 316
 Außenhülle und Haltefüße: Edelstahl AISI 304
 Heizstab: Nickelplattiertes Kupfer
 Dämmung: Polyurethan
 Sicherheitsventil: 7 bar

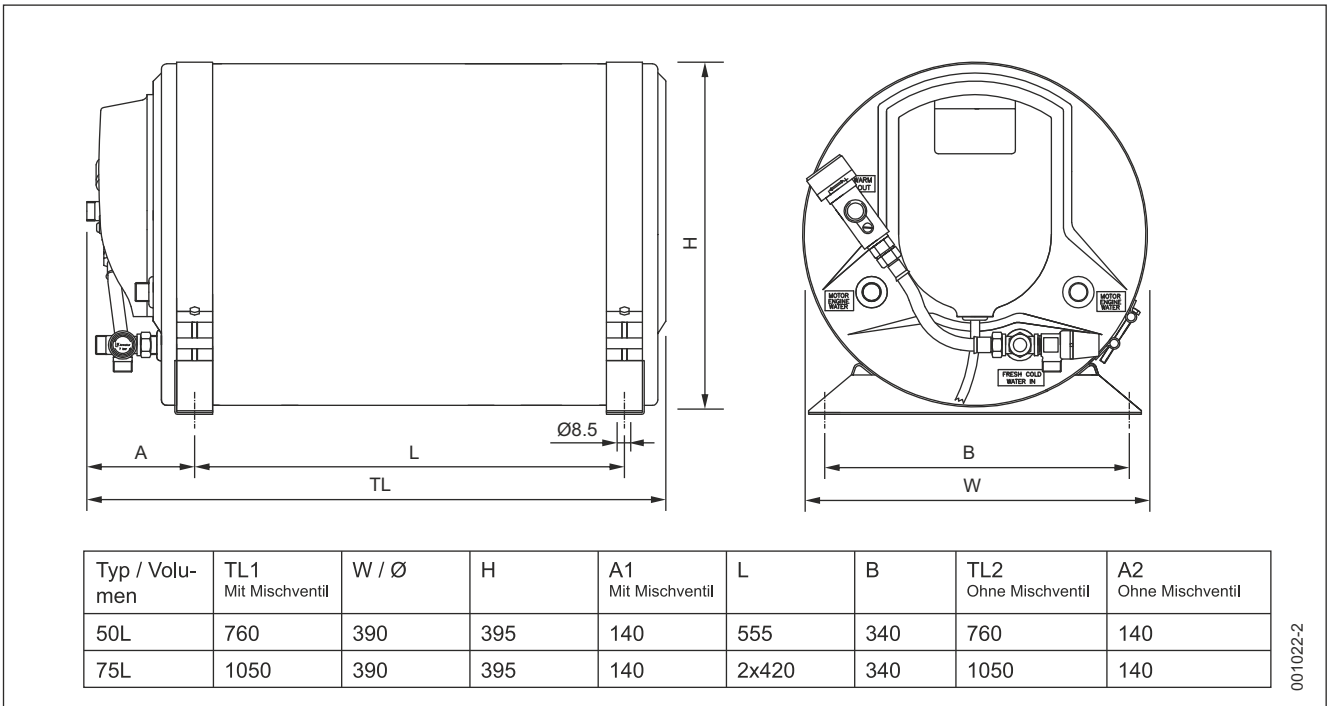
Maße Basic 24, 30, 40



001022-1

Fig. 12a

Maße Basic 50, 75



001022-2

Fig. 12b

8.2 Slim

Typ	Volumen Lit.	Gewicht kg	Heizstab	Heizstab Zuwahl	Thermostat- mischer
601531S000000	15	9	230V~ 750W	115V~ 750W	-
601531S000003	15	9	230V~ 750W	115V~ 750W	X
602031S000000	20	10.5	230V~ 750W	115V~ 750W 115V~ 1200W * 230V~ 1200W *	-
602031S000003	20	10.5	230V~ 750W	115V~ 750W 115V~ 1200W * 230V~ 1200W *	X
602531S000000	25	12	230V~ 750W	115V~ 750W 115V~ 1200W * 230V~ 1200W * 230V~ 2000W *	-
602531S000003	25	12	230V~ 750W	115V~ 750W 115V~ 1200W * 230V~ 1200W * 230V~ 2000W *	X

* - Heizelemente 1200/2000 W sind nur in waagerechter Position des Geräts einsetzbar!

Maße: Siehe Abb. 13
 Material: Wärmetauscherrohr, Innentank und Anschlüsse: Edelstahl AISI 316
 Außenhülle und Haltefüße: Edelstahl AISI 304
 Heizstab: Nickelplattiertes Kupfer
 Dämmung: Polyurethan
 Sicherheitsventil: 7 bar

Maße Slim

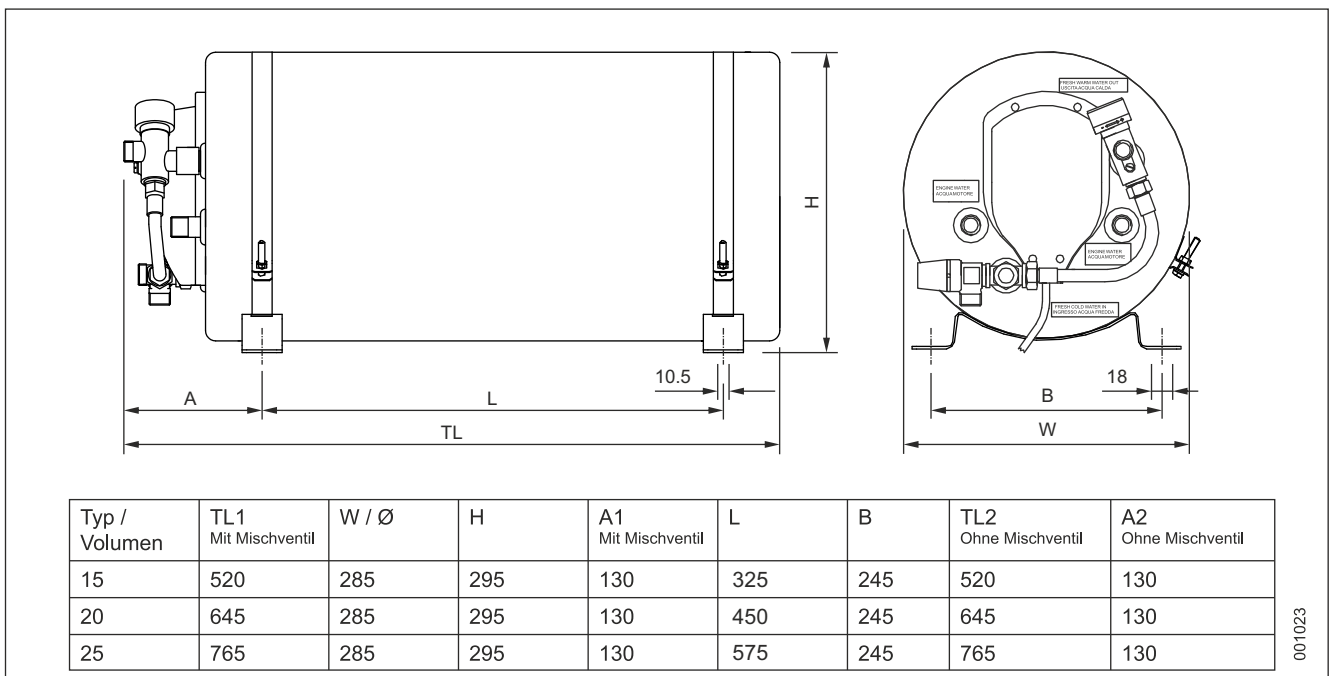


Abb. 13

8.3 Slim Square

Typ	Volumen Lit.	Gewicht kg	Heizstab	Heizstab zuwahl	Thermostatmicher
601631Q000000	16	15.5	230V~ 750W	115V~ 750W	-
601631Q000003	16	15.5	230V~ 750W	115V~ 750W	X

Maße: Siehe Abb. 13
 Material: Wärmetauscherrohr, Innentank und Anschlüsse: Edelstahl AISI 316
 Außenhülle und Haltefüße: Edelstahl AISI 304
 Heizstab: Nickelplattiertes Kupfer
 Dämmung: Polyurethan
 Sicherheitsventil: 5 bar

Maße Slim Square

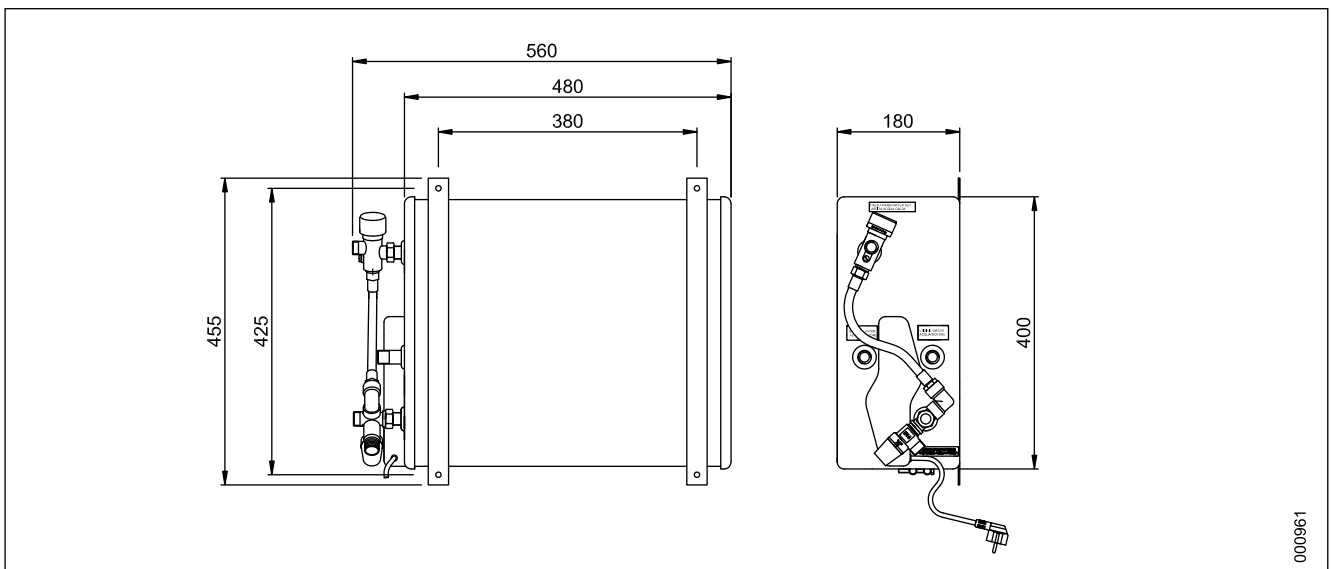


Abb. 14

Falls notwendig oder wenn missverständnisse im Zusammenhang mit der Übersetzung und mit den in dieser Sprachversion der Montage- und Gebrauchsanleitung verwendeten Begriffen bestehen, bitte die englische Version als original und als vorrangige Version benutzen.

9. Indel Webasto Marine Garantie

Die Garantie von Indel Webasto Marine entspricht der EU-Richtlinie 2019/771

9.1 Gültigkeitsdauer

Die Garantie für alle Isotemp- Warmwasserbereiter gilt für 2 Jahre bezüglich Arbeitsaufwand für Reparatur und Austausch, jedoch nur, wenn dies durch autorisierte Servicestellen des IWM-Netzwerks erfolgt. 5 Jahre Gültigkeit für Leckagen aus dem inneren Tank oder der Wärmetauscherspule. (Arbeit nach den ersten 2 Jahren ausgeschlossen).

Die Garantie gilt nur für Warmwasserbereiter, die in Booten eingebaut sind. Sie gilt nicht für Warmwasserbereiter, die in Freizeitfahrzeugen oder in anderen, unterschiedlich von Seefahrzeugen installiert sind.

Die Gültigkeitsdauer beginnt ab:

- a) Das in der Quittung oder Rechnung angegebene Verkaufsdatum des Produkts
- b) Das auf der Rechnung oder Registrierung des Erstverkaufs des Bootes, in dem das Produkt installiert ist, angegebene Verkaufsdatum, sofern vom Hersteller des Bootes installiert.
- c) Wenn keine der oben genannten Möglichkeiten verfügbar ist, beginnt die Gültigkeitsdauer ab dem Jahr und der Produktionswoche, die in der Seriennummer (S/N) auf dem Produktetikett angegeben ist.

Der Austausch eines Produkts oder einer Komponente ändert die Gültigkeitsdauer nicht.

9.2 Die Garantie umfasst:

- Austausch oder Reparatur des Produkts oder einer oder mehrerer Komponenten, die durch Produktionsfehler als fehlerhaft erkannt wurden.
- Bruch oder Funktionsstörung von Komponenten innerhalb der Gültigkeit der Garantie trotz nachgewiesener korrekter Installation und korrekter Verwendung.
- Arbeit und Reise auf Basis der Operation Procedures in diesem Dokument.
- Versandkosten für das Produkt in Ersatz (außer ev. Kosten für die Zollabfertigung).

9.3 Die Garantie deckt keine Mängel oder Schäden ab, die verursacht wurden durch:

- Fährlässigkeit, Nachlässigkeit oder Missbrauch
- falsche Installation oder umsichtige Behandlung
- falsche elektrische Anschlüsse
- untermäßigen Kabel
- unkorrekte Wartung oder Wartung durch nicht autorisiertes Personal
- Nichtbeachtung der Anweisungen im zugehörigen Benutzerhandbuch
- Transportschäden
- Produkte, die an anderer Stelle als in Booten installiert werden
- Wasseraustritt aus Kesseln, in denen kein reines Wasser oder kein Süßwasser oder Wasser mit hoher elektrischer Leitfähigkeit oder hohem Salzgehalt verwendet wurde.
- Kosten für die Zollabfertigung
- professioneller Einsatz
- Verwitterungsschäden
- Kosten für den Abbau und / oder Wiederaufbau von Möbeln oder anderen Konstruktionen

9.4 Erforderliche Informationen, um festzustellen, ob ein Fall unter die Garantie fällt:

- Teilenummer (auf dem Etikett des Produkts angegeben)
- S/N (Seriennummer) (auf dem Etikett des Produkts angegeben)
- Rechnung, Quittung oder Anmeldeformular (siehe Punkt Gültigkeit)
- Bootstyp
- Detaillierte Beschreibung des Mangels. (Wenn möglich Bilder einschließen)
- Beschreibung der Installation. (Wenn möglich Bilder einschließen)

(Falls sich herausstellt, dass der Fall nicht unter die Garantie fällt, muss der Kunde für eventuelle Reparaturen, Ersatzarbeiten, Arbeit, Reise und Transport zahlen. IWM ist nicht verpflichtet, irgendwelche Kosten zu tragen.)

9.5 Handlungsregeln zur Anwendung, sobald festgestellt wurde, dass der Fall von der Garantie abgedeckt ist:

Garantieeingriffe dürfen nur von Service-Partnern des IWM vorgenommen werden (siehe Liste auf www.indelwebastomarine.com).

IWM übernimmt keine Kosten für Eingriffe Dritter.

Der Techniker der von IWM autorisierten Servicestelle geht an Bord, wenn sich das Boot höchstens 100 km von der Servicestelle entfernt befindet. IWM übernimmt die Kosten für eine solche Reise. Wenn das Boot mehr als 100 km von der Servicestelle entfernt ist, kann der Bootsbesitzer wählen, ob er den Techniker für die Reise bezahlen möchte (Zahlung direkt an den Techniker) oder das Boot näher rücken.

IWM erstattet kein Geld für Ersatzteile, die an einem anderen Ort als von IWM oder einem offiziellen IWM-Vertriebspartner gekauft wurden.

Sommaire

1. Consignes de sécurité
2. Emplacement du réservoir
3. Installation
4. Raccordements
 - 4.1 Raccords
 - 4.2 Tuyaux
 - 4.3 Raccordements au moteur
 - 4.4 Raccordements de l'eau douce
 - 4.5 Raccordements électriques
5. Démarrage /Essai de fonctionnement
6. Entretien
 - 6.1 Dispositif de décompression / soupape de sécurité
 - 6.2 Protection contre le froid
 - 6.3 Remplacement du thermostat
 - 6.4 Remplacement du corps de chauffe
7. Double échangeur de chaleur
8. Caractéristiques techniques
 - 8.1 Basic
 - 8.2 Slim
 - 8.3 Slim Square
9. Garantie

1. Consignes de sécurité

Le présent manuel a été élaboré pour vous aider à utiliser votre chauffe-eau agréablement et en toute sécurité. Il contient des informations sur le fonctionnement et l'entretien.

Veillez lire ce manuel attentivement de façon à vous familiariser avec l'appareil, et le conserver en lieu sûr à bord. Il est important que votre chauffe-eau soit correctement installé et entretenu. Durant la période hivernale, lorsque l'appareil n'est pas utilisé, il est essentiel de le vidanger afin d'éviter tout dégât dû au gel. Chaque chauffe-eau est soumis individuellement à une épreuve de pression avant livraison et est garanti par le fabricant contre les défauts de matériel et/ou de fabrication.

Indel Marine S.r.l. décline toute responsabilité en cas de dégâts occasionnés à l'appareil ou de lésions corporelles encourues suite à une installation ou utilisation incorrecte de l'appareil.



Danger!

Toutes les installations électriques présentes à bord doivent être réalisées par des spécialistes agréés. Le chauffe-eau doit être correctement mis à la terre sur le réseau de courant alternatif.



Danger!

Il est impératif de toujours utiliser des fils électriques de la dimension recommandée ainsi que des fusibles / disjoncteurs et un disjoncteur de fuite à la terre conformes aux recommandations.



Avertissement!

Si le cordon d'alimentation est endommagé, il doit être remplacé par le fabricant, son agent de service ou par une personne de qualification similaire afin d'éviter tout danger.



Avertissement!

Ne branchez le corps de chauffe sur l'alimentation électrique qu'une fois le réservoir du chauffe-eau rempli d'eau.



Avertissement!

Il ne faut utiliser que de l'eau douce, pure et potable, les sels (les chlorures) doivent être inférieurs à 50 mg / Lt et la conductivité inférieure à 200 μ S / cm. C'est une condition pour la validité de la garantie car, si elle n'est pas respectée, l'acier inoxydable du réservoir peut être endommagé.



Avertissement!

Risque de s'ébouillanter : l'eau chaude dans le chauffe-eau sera à la même température que le moteur.

Attention!

Votre attention est attirée sur le chapitre 4.5 Raccordements électriques en ce qui concerne le risque de corrosion lors du raccordement à l'alimentation électrique de quai.

Attention!

Pour le raccordement au circuit de refroidissement du moteur, il y a lieu de suivre scrupuleusement consignes du fabricant du moteur.

Attention!

En cas de risque de gel, voir chapitre 6.2.




Avertissement!

Cet appareil peut être utilisé par des enfants âgés de 8 ans et plus et par des personnes ayant des capacités physiques, sensorielles ou mentales réduites ou dont l'expérience et les connaissances sont insuffisantes, si elles sont supervisées ou instruites pour l'utilisation de l'appareil de manière sûre et comprenant les dangers potentiels. Il est interdit aux enfants de jouer avec l'appareil. Le nettoyage et la maintenance par l'utilisateur ne doivent pas être effectués par des enfants sans surveillance.

Environnement:

Cet appareil est marqué en conformité avec la Directive Européenne 2012/19/EU sur les Déchets d'Équipements Électriques et Électroniques (DEEE).

En veillant à ce que ce produit soit éliminé correctement, vous contribuerez à éviter d'éventuelles conséquences néfastes pour l'environnement et la santé qui pourraient résulter d'un traitement inapproprié des déchets provenant de cet appareil.

Le symbole  apposé sur l'appareil ou sur les documents qui l'accompagnent indique que cet appareil ne peut en aucun cas être traité comme déchet domestique.

Il y a lieu de le remettre pour recyclage au point de ramassage d'équipement électrique et électronique approprié. L'élimination de l'appareil doit être effectuée conformément aux réglementations environnementales locales en matière d'élimination des déchets.

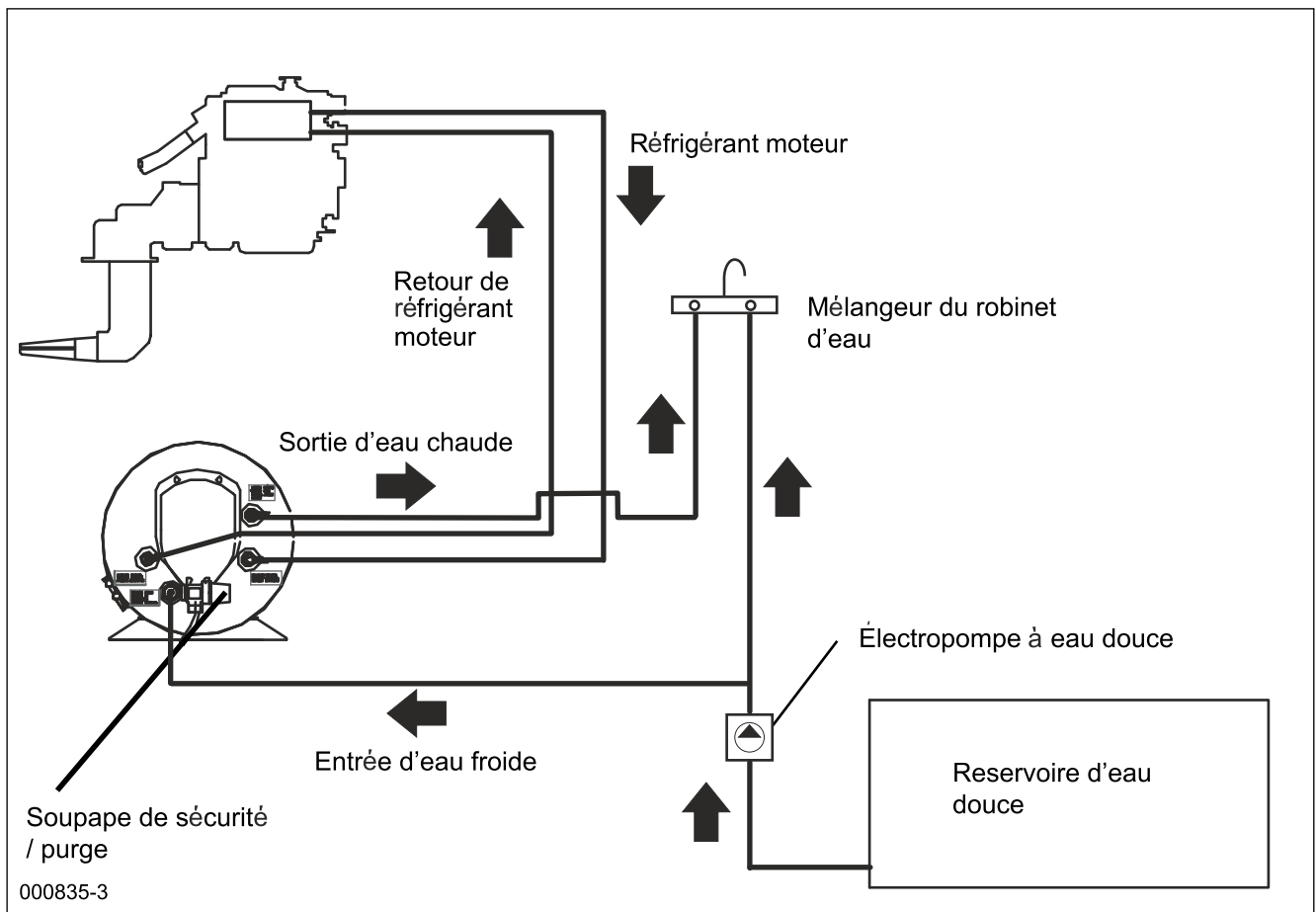
Pour plus ample information sur le traitement, la récupération et le recyclage de ce produit, veuillez contacter votre administration communale, votre service d'élimination de déchets domestiques ou le magasin où vous avez acheté l'appareil.

2. Emplacement du réservoir

Le chauffe-eau peut être placé en principe n'importe sur le bateau pour autant que ses raccordements avec l'échangeur de chaleur du moteur soient à un niveau situé sous le vase d'expansion du moteur (Fig. 1). Il est préférable que les tuyaux flexibles entre le chauffe-eau et l'échangeur de chaleur du moteur soient aussi courts que possible pour réduire au maximum les pertes de charge et de chaleur. Dans beaucoup d'installations, l'échangeur de chaleur du réservoir est simplement raccordé en série au circuit de réfrigérant du moteur.

Dans certaines installations, toutefois, il est raccordé en parallèle avec un limiteur ou dérivateur de débit. Le choix dépend des recommandations spécifiques du fabricant et/ou de l'installateur du moteur. Veuillez consulter le fabricant ou revendeur du moteur quant à leurs recommandations éventuelles pour le raccordement au circuit de refroidissement du moteur. Au cas où il faudrait installer le réservoir au-dessus du vase d'expansion du moteur, le circuit d'eau du moteur doit être équipé d'un robinet de purge d'air en son point haut (disponible en option).

Diagramme de raccordement principal



3. Installation

Les chauffe-eau Isotemp Basic, Slim & Slim Square sont conçus pour un fonctionnement optimal lorsqu'ils sont montés horizontalement et verticalement. La purge / soupape de sécurité doit toujours se trouver au point le plus bas. Dans les versions Basic et Slim, les supports de fixation peuvent être ajustés latéralement pour montage du chauffe-eau sur une cloison. Ne montez le réservoir que sur une étagère ou une cloison appropriée, **en gardant toujours à l'esprit que le poids du chauffe-eau est plus important lorsqu'il est rempli d'eau.**

Voir les variantes de montage en fig. 2.

Slim Square peut être monté verticalement ou horizontalement à plat, ou encore placé dans d'autres positions comme représenté à la fig. 7. La Fig. 3 illustre les raccordements d'eau du modèle Basic, fig. 4 le Basic à double serpentin (double échangeur de chaleur), fig. 5 le Slim et fig. 6 le Slim Square. Il est recommandé de prévoir un espace libre d'environ 30 cm devant le chauffe-eau pour faciliter les interventions de maintenance.

Isotemp Basic & Slim

Variantes de montage, horizontal ou vertical.

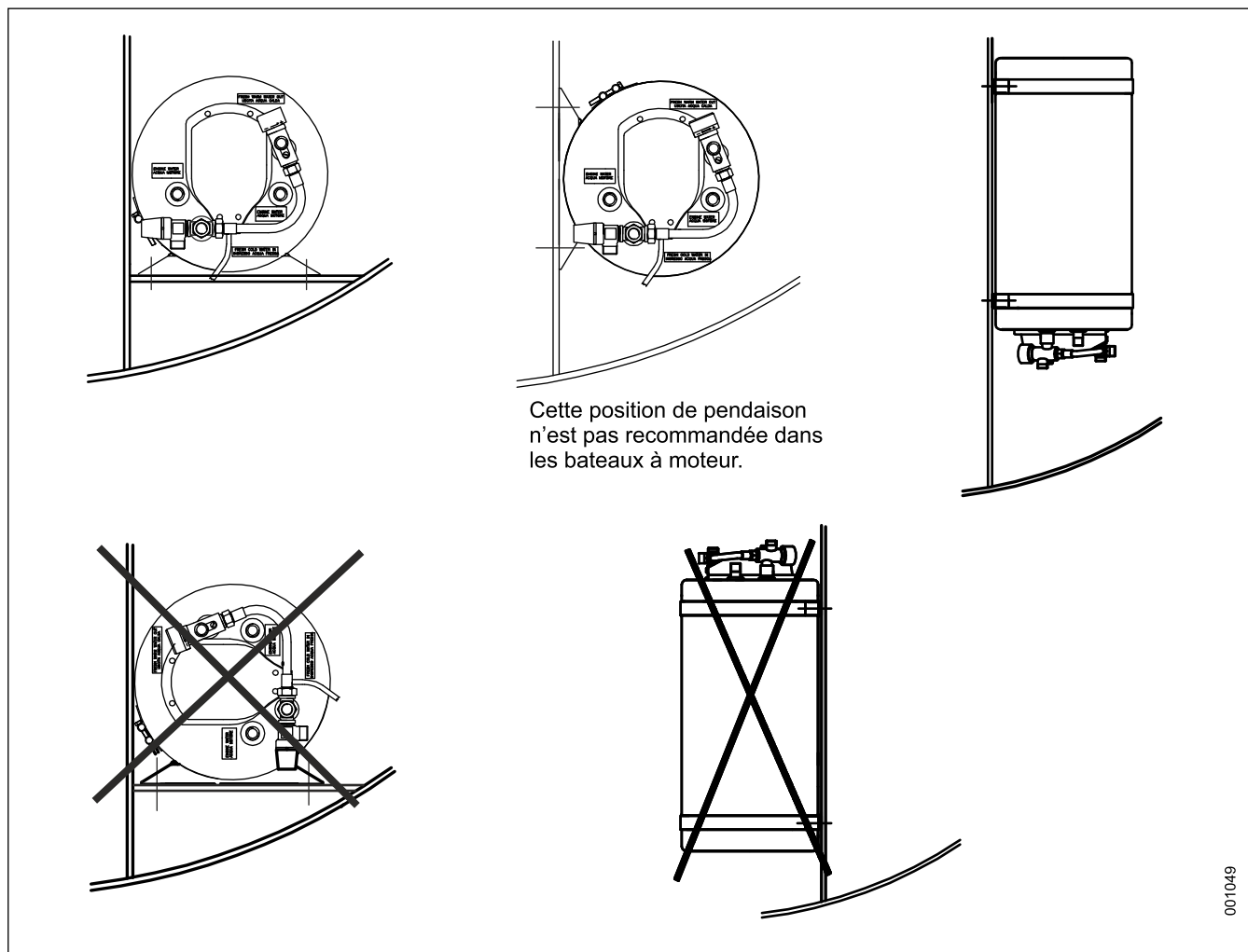


Fig. 2

Isotemp Basic sans et avec mitigeur thermostatique

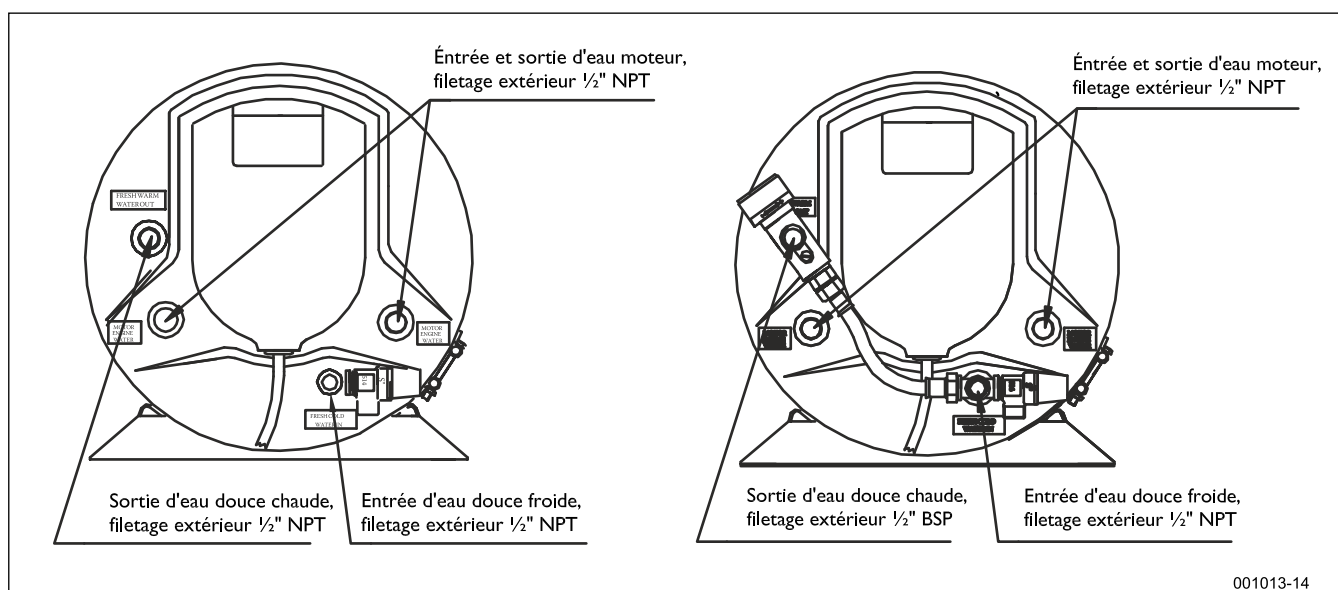


Fig. 3

Isotemp Basic à double serpentin, sans et avec mitigeur thermostatique

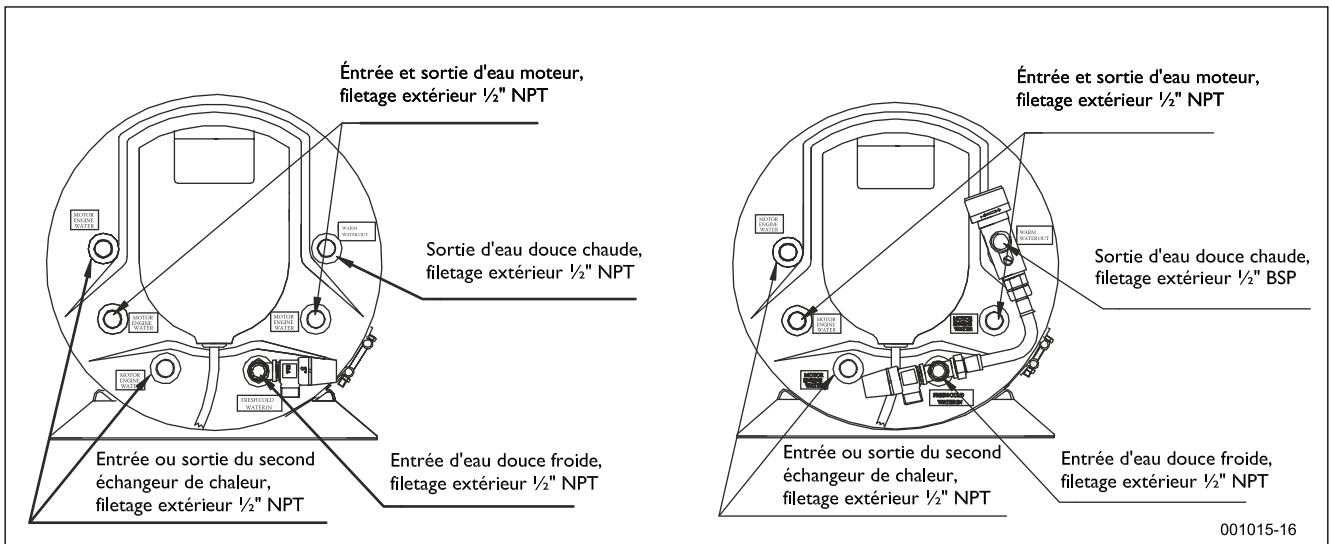


Fig.4

Isotemp Slim sans et avec mitigeur thermostatique

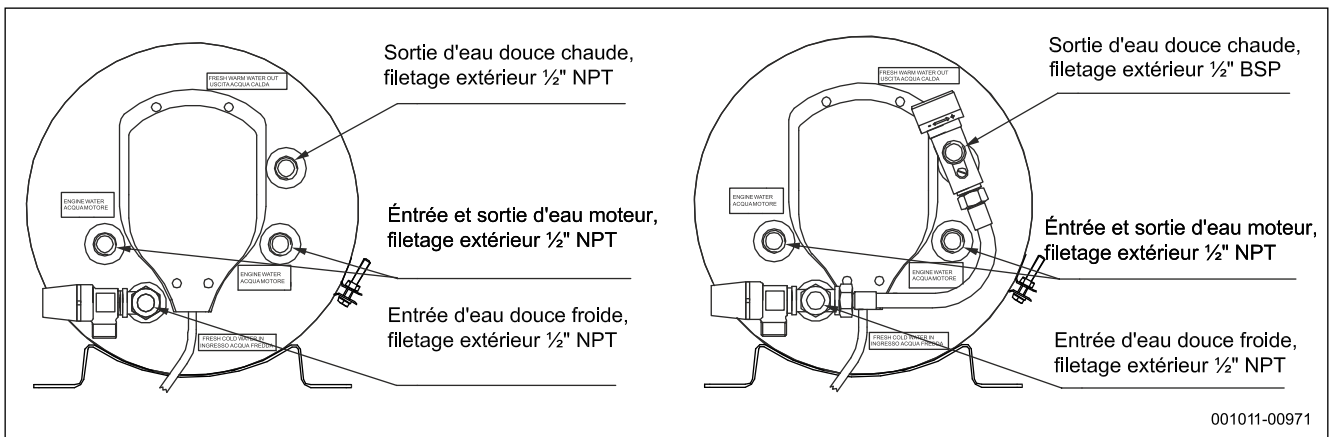


Fig. 5

NB:

Les raccords de flexible G1/2" BSP s'adaptent aussi sur les filetages extérieurs 1/2" NPT.

Slim Square sans et avec mitigeur thermostatique

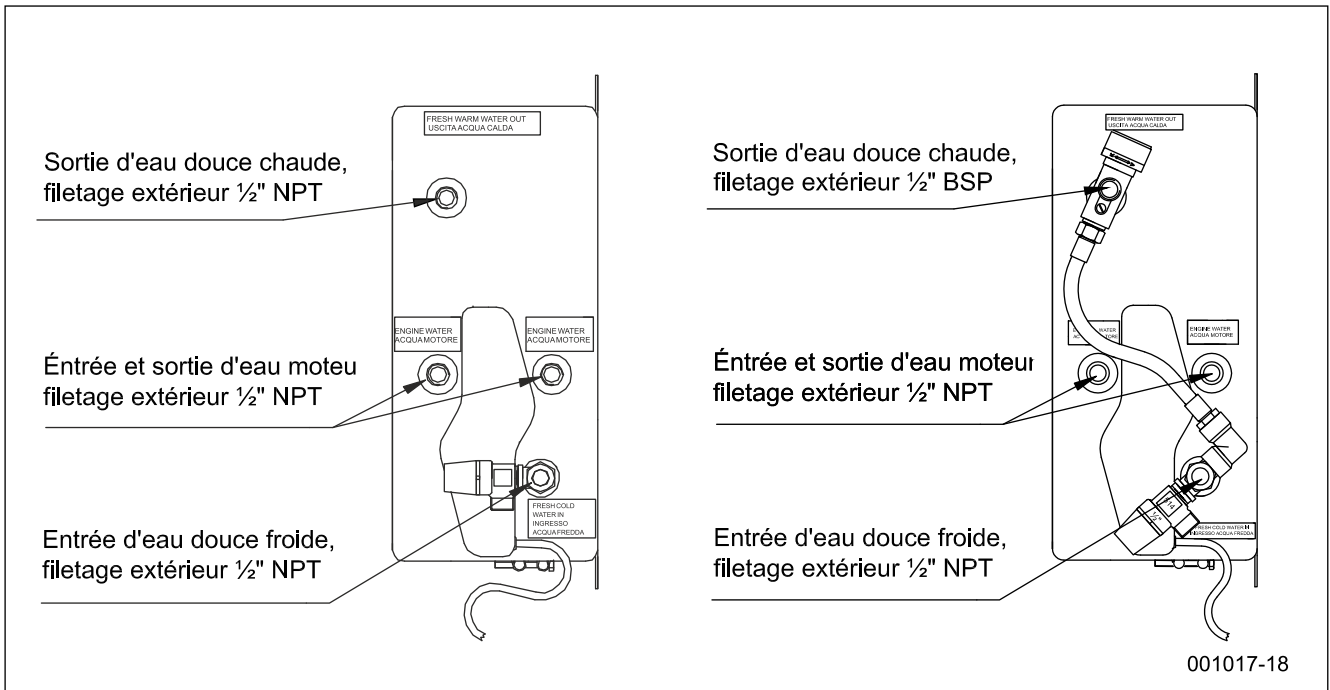


Fig. 6

Slim Square

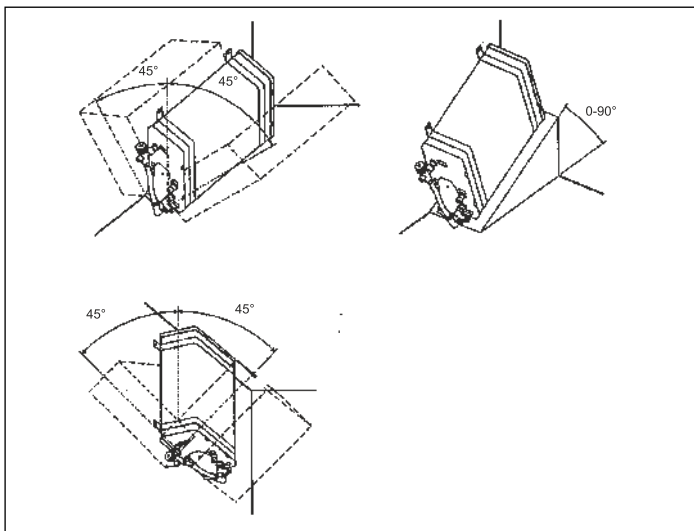


Fig. 7

Variantes de montage du modèle Slim Square.

Ne pas oublier que la soupape de sécurité doit toujours se trouver au point le plus bas.

4. Raccordements

4.1 Matériaux : Utiliser exclusivement des raccords et accessoires fabriqués dans des matériaux inoxydables tels que le laiton ou l'acier inoxydable. Pour des raisons liées à la chaleur, éviter les raccords en plastique pour le chauffe-eau, à moins qu'ils n'aient été spécialement conçus pour ce type d'application. Ceci est important car une fuite à ce niveau peut provoquer une surchauffe subite du moteur ainsi qu'une dangereuse projection d'eau très chaude.

flexibles soigneusement avec des colliers de serrage. Étanchéifier les raccords filetés avec un produit approprié (Loctite 577 ou Bondline T777 par exemple). Les raccords de flexible G $\frac{1}{2}$ " ($\frac{1}{2}$ " BSP) s'adaptent sur

les raccords du chauffe-eau.

4.2 Flexibles : pour les raccordements moteur, utiliser exclusivement des tuyaux flexibles en caoutchouc renforcé à l'épreuve de la chaleur (100°C), résistant au liquide anti-gel et prévus pour une pression nominale de 5 bar. Pour le branchement d'eau douce froide et la sortie d'eau chaude illustrée à la fig. 7, utiliser des flexibles pour eau douce résistant à la chaleur et de qualité alimentaire. Ils seront prévus pour une pression nominale de 8 bar. Fixer les flexibles soigneusement avec des colliers de serrage. Étanchéifier les raccords filetés avec un produit approprié (Loctite 577 ou Bondline T777 par exemple). Les raccords de flexible G $\frac{1}{2}$ " ($\frac{1}{2}$ " BSP) s'adaptent sur les raccords du chauffe-eau.

4.3 Raccordements au moteur (voir schéma de raccordement, fig.1)

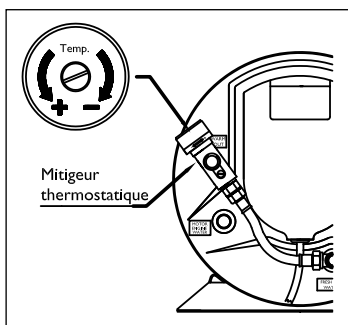
Le chauffe-eau est prévu pour être utilisé avec des moteurs refroidis par eau douce. Le débit d'eau de refroidissement provenant du moteur et qui passe à travers le chauffe-eau doit être d'au moins 2 litres/min. Si le bateau est équipé de deux moteurs, ne raccorder le chauffe-eau qu'à l'un d'eux. Si deux chauffe-eau doivent être installés, les raccorder en parallèle. Le raccordement au moteur se fera au moyen de tuyaux flexibles et raccords de 16 mm minimum afin d'éviter tout risque d'étranglement. En ce qui concerne les points de raccordement des flexibles, se référer aux instructions reprises dans le manuel du moteur.

Lorsque le chauffe-eau est utilisé sur de petits moteurs diesel de 10 à 15 CV, il peut être nécessaire de réduire le débit passant à travers le chauffe-eau de façon à conserver une capacité de refroidissement suffisante pour le moteur.

4.4 Raccordements d'eau douce (voir schéma de raccordement, fig. 1):

Le chauffe-eau est alimenté en eau douce par l'électropompe du circuit d'eau. Pression maximale de fonctionnement pour la pompe: 3.8 bar. Veuillez noter que la soupape de surpression sur le réservoir est réglée sur 7.0 bar. L'eau douce est captée au niveau de la soupape de sécurité. La sortie d'eau chaude, qui fait aussi office de purgeur d'air pour le chauffe-eau, doit être raccordée à un robinet mélangeur sur l'évier ou le lavabo.

Attention! Ne pas oublier que l'eau chaude est à la température du moteur, d'où risque d'ébouillantage ! Il faut dès lors mélanger de l'eau froide au niveau des robinets. Si le chauffe-eau est muni d'un mitigeur thermostatique, vous pouvez vous en servir pour régler la température de l'eau chaude de façon à éviter les risques de brûlure. La température peut être réglée entre 38 et 65 °C.



Le flexible d'eau usée doit toujours avoir un orifice de sortie dégagé. Aucun robinet ou raccordement ne doit être monté sur ce tuyau. Lors du réchauffage du réservoir, il se peut qu'une petite quantité d'eau s'échappe par la soupape de sécurité. Ceci est dû au fait que l'eau se dilate en chauffant. Cette situation est normale et indique un fonctionnement correct du système.

4.5 Raccordements électriques

Voir le schéma de câblage fig. 8

Tous les raccordements internes sont réalisés en usine. Le câble d'alimentation électrique est muni d'une fiche standard UE, qui doit être branchée sur une prise correctement installée. Cette prise, comme d'ailleurs toutes les installations électriques «à haute tension» en poste à bord, doit être réalisée par un électricien agréé de façon à être conforme aux réglementations de sécurité en vigueur. Le chauffe-eau lui-même est conçu pour satisfaire aux normes en ce domaine. L'installation du chargeur de quai monté à bord doit comporter un disjoncteur de fuite à la terre.

Lorsque le bateau reste inoccupé durant des périodes prolongées, la fiche du chauffe-eau doit toujours être débranchée, même si le chargeur de quai est débranché. En effet, dans le circuit électrique, une différence de potentiel peut quelquefois se créer entre le fil de terre et l'eau de mer qui forme la masse du bateau, ce qui peut occasionner de sérieux dégâts au chauffe-eau ou au corps de chauffe.

L'installation d'un transformateur d'isolation dans le système de chargeur de quai élimine tout risque de corrosion galvanique via le raccordement à l'alimentation électrique de quai.

Il faut toujours débrancher le chauffe-eau et/ou couper tous les disjoncteurs et déconnecter les raccordements au chargeur de quai avant d'ôter le couvercle de raccordement. Le circuit électrique est contrôlé par un thermostat de service réglé sur 75°C / 167°F ainsi que par une double sécurité anti-surchauffe dont la valeur de consigne est fixée à 96°C / 205°F. En cas de déclenchement de la sécurité anti-surchauffe, il faut la réarmer manuellement. Pour ce faire, presser le petit bouton situé au-dessus de cette sécurité anti-surchauffe.

Voir section 6:2.

Schéma de câblage

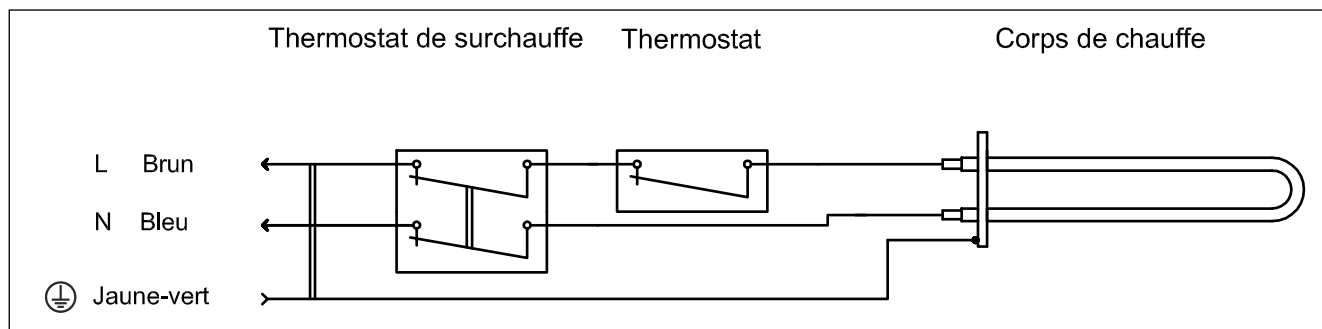


Fig. 8

5. Démarrage/Essai de fonctionnement

Remplir le réservoir d'eau chaude en enclenchant la pompe à eau et en ouvrant un robinet d'eau chaude de façon à laisser sortir l'air des tuyaux flexibles et de la plomberie.

Contrôler la purge et la soupape de sécurité en actionnant le levier. De l'eau entrera dans le tuyau de purge. S'assurer que le tuyau de purge n'est pas bloqué ou obstrué. Ramener le levier en position position fermée. Mettre le moteur en marche pour vérifier la circulation du réfrigérant.

Il y a lieu d'ajouter du réfrigérant dans le circuit de manière à compenser le volume supplémentaire représenté par l'échangeur et les tuyaux flexibles. Si des poches d'air se sont formées dans les tuyaux, purger cet air en relevant et abaissant les tuyaux tout à tour autant de fois que nécessaire avant de fixer les tuyaux en place.

Finalement, brancher le chauffe-eau et enclencher le disjoncteur. Vérifier le bon fonctionnement.

6. Maintenance

6.1 Dispositif de décompression / soupape de sécurité

Le dispositif de décompression (soupape de sécurité) doit être utilisé régulièrement (Figure 9) pour éliminer les dépôts de calcaire et vérifier qu'il n'est pas obstrué.

6.2 Vidange avant l'hiver: en cas de risque de gel, le chauffe-eau doit être vidé de l'eau qu'il contient.

À cet effet, enlever le tuyau flexible d'eau chaude ou dévisser la vis de purge du robinet mélangeur si un tel robinet est prévu. Enlever complètement la vis de purge d'air et ouvrir le robinet de purge en tournant le bouton noir sur la soupape de sécurité dans le sens anti-horlogique jusqu'à entendre un clic. Refermer le robinet en le tournant d'un degré supplémentaire, toujours dans le sens anti-horlogique.

Si le moteur est refroidi à l'eau non traitée, l'échangeur de chaleur doit également être vidé en retirant les tuyaux flexibles et en soufflant de l'air dans les serpentins afin de les purger de l'eau résiduelle. Le chauffe-eau peut ensuite rester à poste pendant l'hiver. Lorsque le bateau reste inoccupé durant une période prolongée, il est recommandé de débrancher le câble d'alimentation pour éviter le risque d'une intrusion de courants vagabonds par les raccordements de mise à la terre du chargeur de quai.

6.3 Remplacement du thermostat

Attention: toujours commencer par couper l'alimentation électrique !

L'appareil comporte un thermoplongeur de 230V-750W. L'équipement thermostatique se compose d'un thermostat intégré et d'un double thermostat de sécurité anti-surchauffe. Ce dernier peut être réarmé manuellement en pressant la goupille située au-dessus du thermostat (voir fig. 10). Rechercher l'origine du déclenchement de la sécurité anti-surchauffe avant de rebrancher l'alimentation.

Couper le courant ! Retirer la fiche électrique. Démontez le capot en plastique frontal (2 vis sur les Basic, 4 vis sur le Slim, 3 vis sur le Square).

Réarmer le thermostat anti-surchauffe.

Remplacement des thermostats : retirer les cosses de câble après avoir repéré leurs positions respectives. Les extrémités du capteur thermostatique sont placées dans un tube sur la bride de fixation du corps de chauffe. Les en retirer.

Dévisser les vis de fixations des thermostats. Monter les nouveaux thermostats dans l'ordre inverse du démontage. Veiller à ce que les extrémités du capteur soient correctement placées dans le tube.

Lorsque le bateau doit rester inoccupé pendant des périodes prolongées, il est recommandé de débrancher la fiche du câble d'alimentation. Cette mesure de précaution doit toujours être prise, même si le chargeur de quai est débranché, car il peut se produire une différence de potentiel entre le fil de terre et l'eau de mer qui forme la masse du bateau, ce qui peut occasionner de sérieux dégâts au chauffe-eau et/ou au moteur avec ses éléments de propulsion.

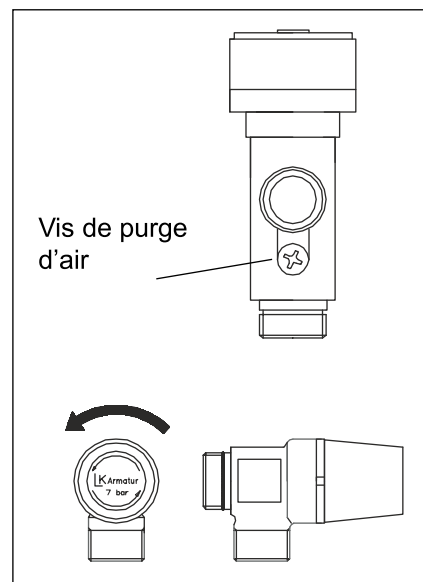


Fig. 9

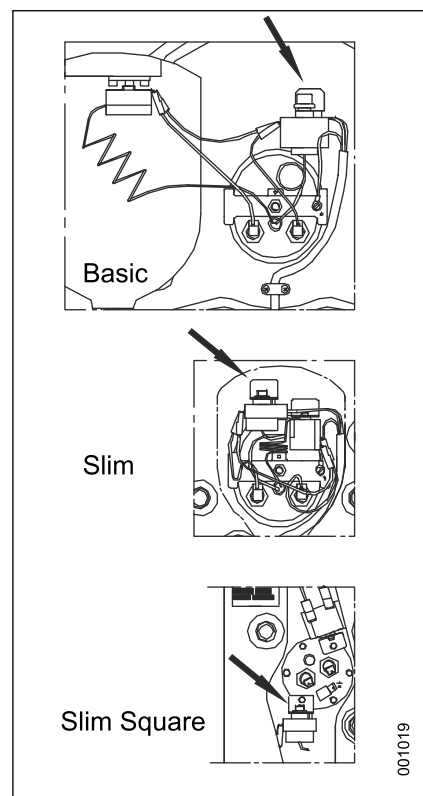


Fig. 10

6.4 Remplacement du corps de chauffe:

**Attention ! Veiller tout d'abord à couper le courant !
Vider le chauffe-eau de l'eau qu'il contient.**

Basic et Slim

Retirer le capot en plastique, dévisser les deux vis latérales et pousser le capot vers le bas. Sur le modèle Slim, démonter le thermostat et la sécurité anti-surchauffe de leurs supports pour faciliter l'accès.

Sur le Basic, ces deux dispositifs peuvent être laissés en place durant l'opération.

Retirer les fils électriques de leurs attaches sur le corps de chauffe.

Desserrer l'écrou central fig. 11-A et retirer les supports fig. 11-B. Replacer l'écrou sur le boulon central pour permettre un maniement plus facile (grâce à une meilleure prise).

Pousser la bride de montage avec son joint en caoutchouc vers l'intérieur ; cet ensemble sera extrait avec le corps de chauffe. Tourner le corps de chauffe de 90° vers la gauche, de sorte que les pattes des fils électriques pointent vers la droite.

Faire pivoter le corps de chauffe jusqu'à ce que l'extrémité intérieure bute contre le réservoir du côté gauche. Extraire le corps de chauffe à travers l'ouverture, côté gauche en premier. Dévisser le corps de chauffe de la bride de fixation. Monter le nouveau corps de chauffe avec de nouveaux joints toriques et un nouveau large joint en caoutchouc, en suivant l'ordre inverse du démontage. L'extrémité interne du corps de chauffe pointerait légèrement vers le bas après assemblage.

Slim Square

Sur le modèle Square, le corps de chauffe est assujéti au moyen de six vis sur une bride fixée à l'intérieur du réservoir. Il est équipé d'un joint plat en caoutchouc. Voir fig. 11.

En premier lieu, retirer les fils électriques de leurs attaches sur le corps de chauffe. Desserrer les six vis, ensuite l'ensemble du corps de chauffe peut être extrait avec la bride. Repérer au préalable la position de la bride. Le corps de chauffe est fixé sur la bride par des écrous. Dévisser le corps de chauffe et le désolidariser de la bride de fixation. Monter le nouveau corps de chauffe avec de nouveaux joints toriques et un nouveau gros joint en caoutchouc dans la même position qu'à l'origine.

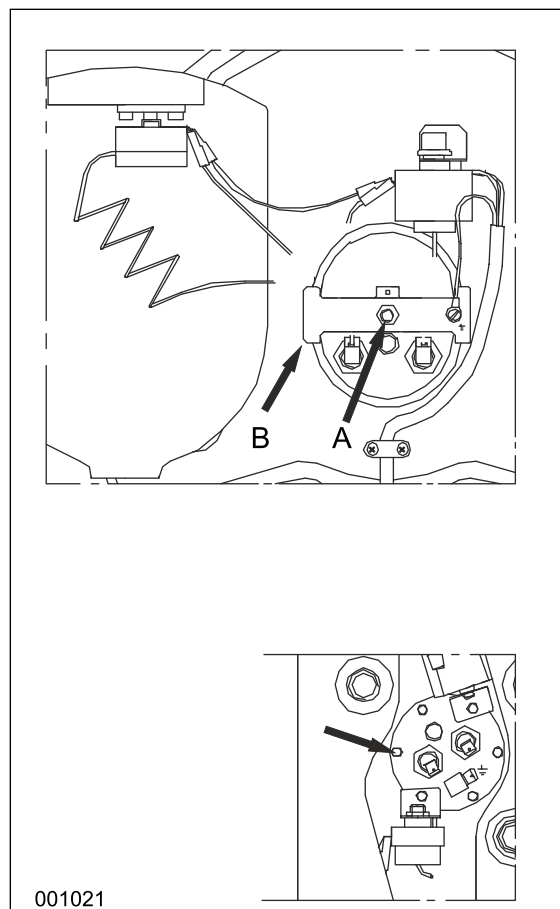


Abb. 11

7. Double échangeur de chaleur, Basic 40 & 75 litres.

Sur les chauffe-eau à double échangeur de chaleur, le raccordement du deuxième échangeur de chaleur est également situé sur le devant, côte à côte avec le raccordement d'échangeur de chaleur classique.

Voir fig. 4

Le remplacement du corps de chauffe s'effectue comme décrit ci-dessus.

8. Caractéristiques techniques

8.1 Basic

Type	Volume lit.	Poids kg	Corps de chauffe	Options du corps de chauffe	Mitigeur thermostatique
602431B000000	24	12.5	230V~ 750W	115V~ 750W	-
602431B000003	24	12.5	230V~ 750W	115V~ 750W	X
602431BD000000 (Double serpentin)	24	13	230V~ 750W	115V~ 750W	-
602431BD000003 (Double serpentin)	24	13	230V~ 750W	115V~ 750W	X
603031B000000	30	13.5	230V~ 750W	115V~ 750W	-
603031B000003	30	13.5	230V~ 750W	115V~ 750W	X
604031B000000	40	15.5	230V~ 750W	115V~ 750W 115V~ 1200W * 230V~ 1200W *	-
604031B000003	40	15.5	230V~ 750W	115V~ 750W 115V~ 1200W * 230V~ 1200W *	X
604031BD000000	40	16	230V~ 750W	115V~ 750W 115V~ 1200W * 230V~ 1200W *	-
604031BD000003	40	16	230V~ 750W	115V~ 750W 115V~ 1200W * 230V~ 1200W *	X
605031B000000	50	17	230V~ 750W	115V~ 750W 115V~ 1200W * 230V~ 1200W * 230V~ 2000W *	-
605031B000003	50	17	230V~ 750W	115V~ 750W 115V~ 1200W * 230V~ 1200W * 230V~ 2000W *	X
607531B000000	75	24.5	230V~ 750W	115V~ 750W 115V~ 1200W * 230V~ 1200W * 230V~ 2000W *	-
607531B000003	75	24.5	230V~ 750W	115V~ 750W 115V~ 1200W * 230V~ 1200W * 230V~ 2000W *	X
607531BD000000	75	25	230V~ 750W	115V~ 750W 115V~ 1200W * 230V~ 1200W * 230V~ 2000W *	-
607531BD000003	75	25	230V~ 750W	115V~ 750W 115V~ 1200W * 230V~ 1200W * 230V~ 2000W *	X

* - L'élément de chauffage de 1200/2000 W est applicable uniquement en position horizontale de l'unité!

Dimensions : voir fig. 12a, 12b
 Matériaux : Serpentin d'échangeur de chaleur, réservoir et raccords: acier inox AISI 316 ;
 enveloppe extérieure et supports de fixation: acier inox AISI 304 ;
 Corps de chauffe : cuivre nickelé
 Isolation : polyuréthane
 Soupape de sécurité : 7 bar

Dimensions Basic 24, 30, 40

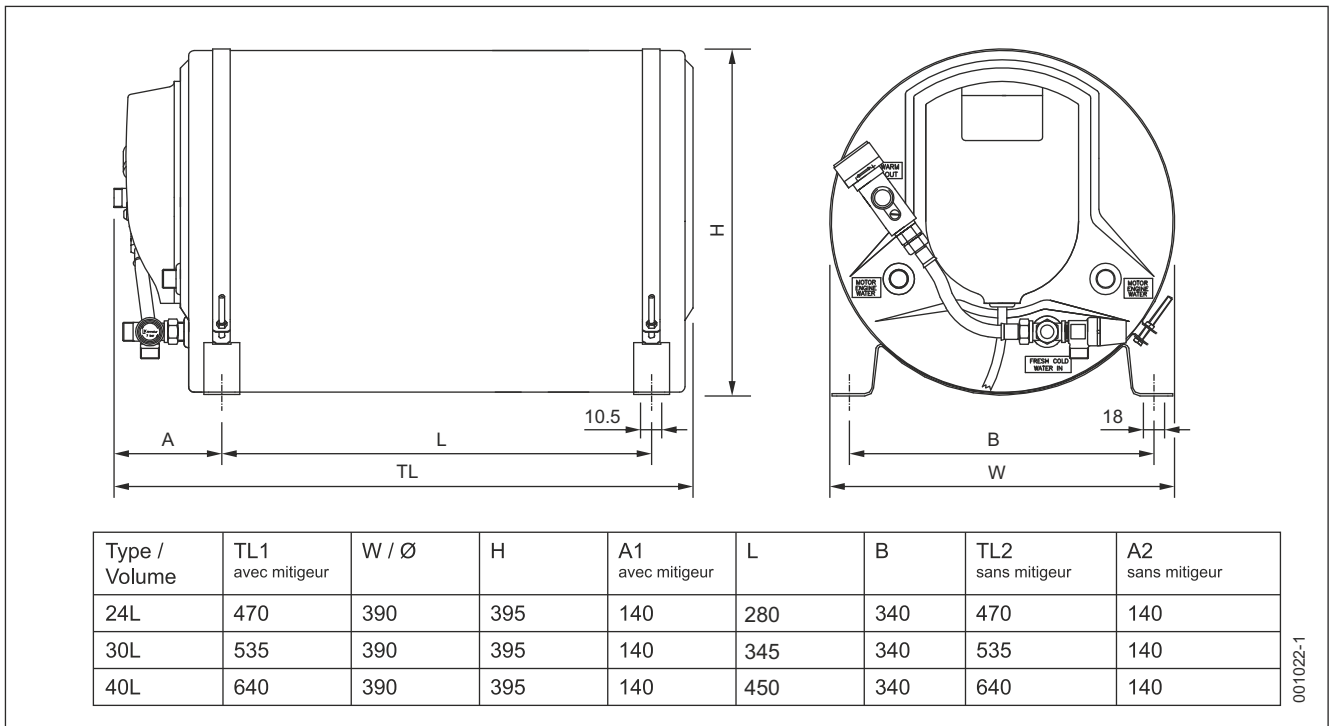


Fig. 12a

Dimensions Basic 50, 75

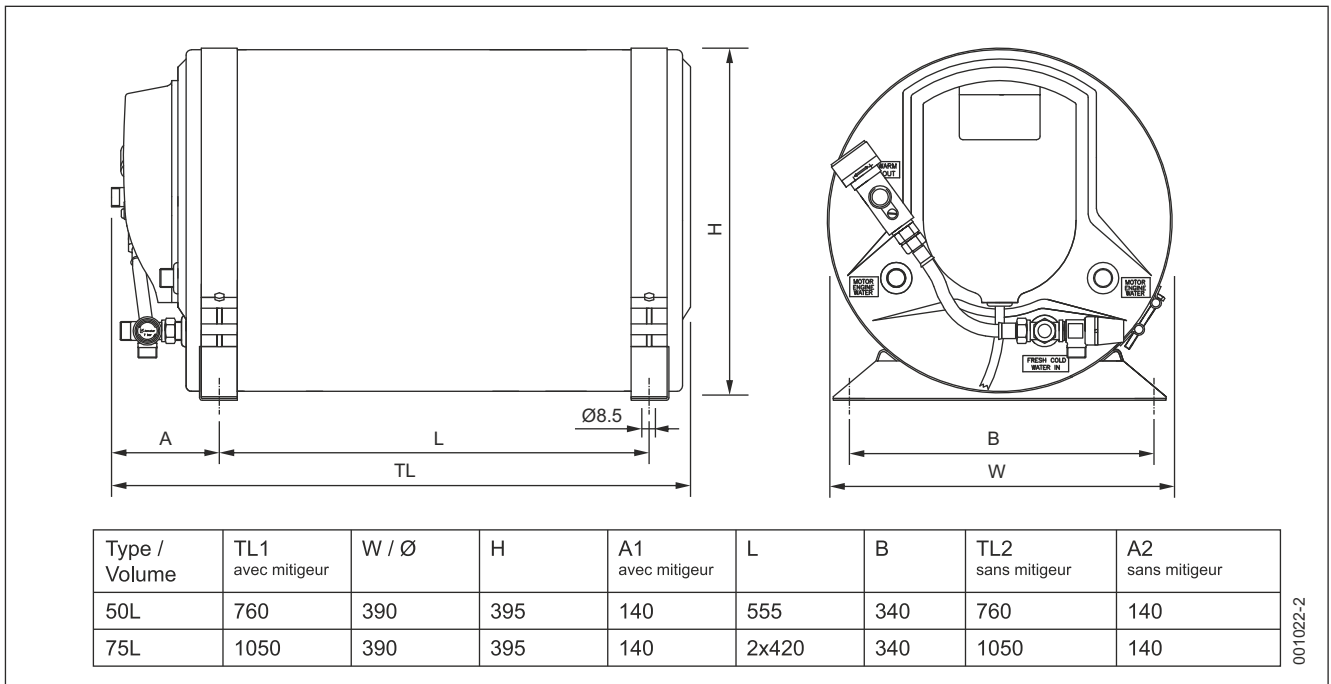


Fig. 12b

8.2 Slim

Typ	Volume lit.	Poids kg	Corps de chauffe	Options du corps de chauffe	Mitigeur thermostatique
601531S000000	15	9	230V~ 750W	115V~ 750W	-
601531S000003	15	9	230V~ 750W	115V~ 750W	X
602031S000000	20	10.5	230V~ 750W	115V~ 750W 115V~ 1200W * 230V~ 1200W *	-
602031S000003	20	10.5	230V~ 750W	115V~ 750W 115V~ 1200W * 230V~ 1200W *	X
602531S000000	25	12	230V~ 750W	115V~ 750W 115V~ 1200W * 230V~ 1200W * 230V~ 2000W *	-
602531S000003	25	12	230V~ 750W	115V~ 750W 115V~ 1200W * 230V~ 1200W * 230V~ 2000W *	X

* - L'élément de chauffage de 1200/2000 W est applicable uniquement en position horizontale de l'unité!

Dimensions: voir fig. 13

Matériaux : serpentin d'échangeur de chaleur, réservoir et raccordement : acier inox AISI 316;
enveloppe extérieure et supports de fixation : acier inox AISI 304;

Corps de chauffe : cuivre nickelé

Isolation : polyuréthane

Soupe de sécurité : 7 bar

Dimensions Slim

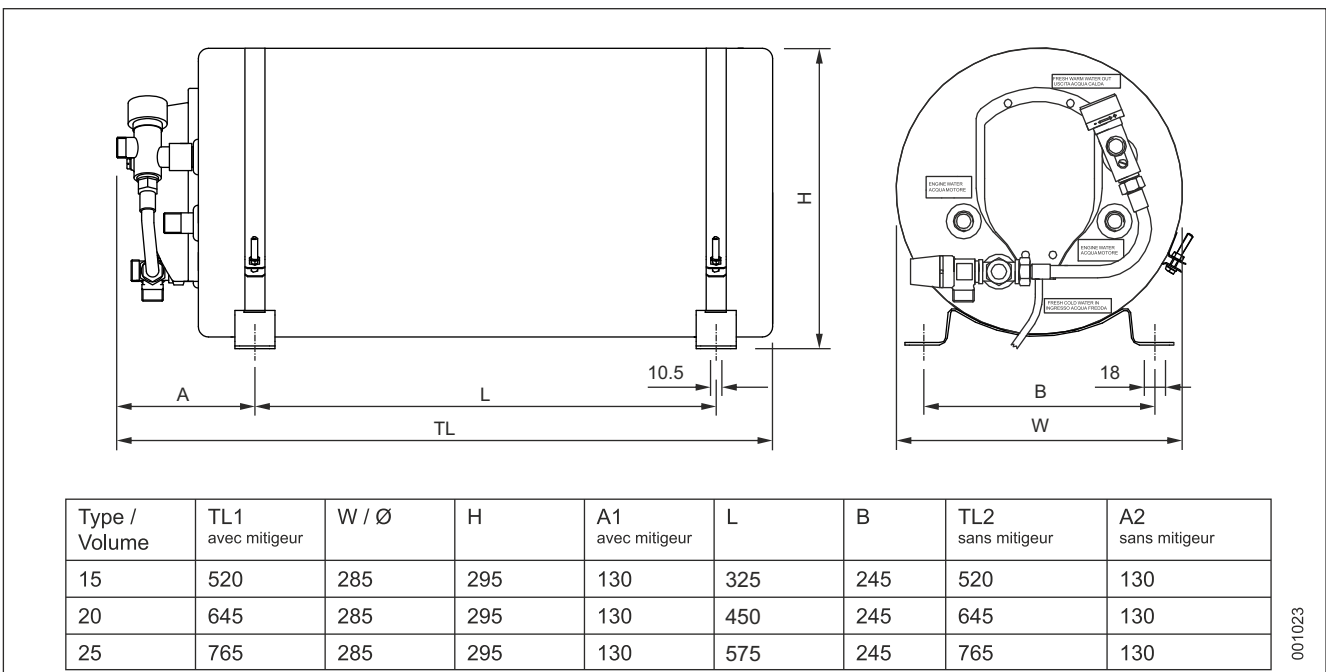


Fig. 13

8.3 Slim Square

Type	Volume lit.	Poids kg	Corps de chauffe	Options du corps de chauffe	Mitigeur thermostatique
601631Q000000	16	15.5	230V~ 750W	115V~ 750W	-
601631Q000003	16	15.5	230V~ 750W	115V~ 750W	X

Dimensions: voir fig. 14

Matériaux : serpentín d'échangeur de chaleur, réservoir et raccords : acier inox AISI 316 ;
 enveloppe extérieure et supports de fixation : acier inox AISI 304 ;

Frontons externes : plastique

Corps de chauffe : cuivre nickelé

Isolation : polyuréthane

Soupape de sécurité : 5 bar

Plan d'encombrement du modèle Slim Square

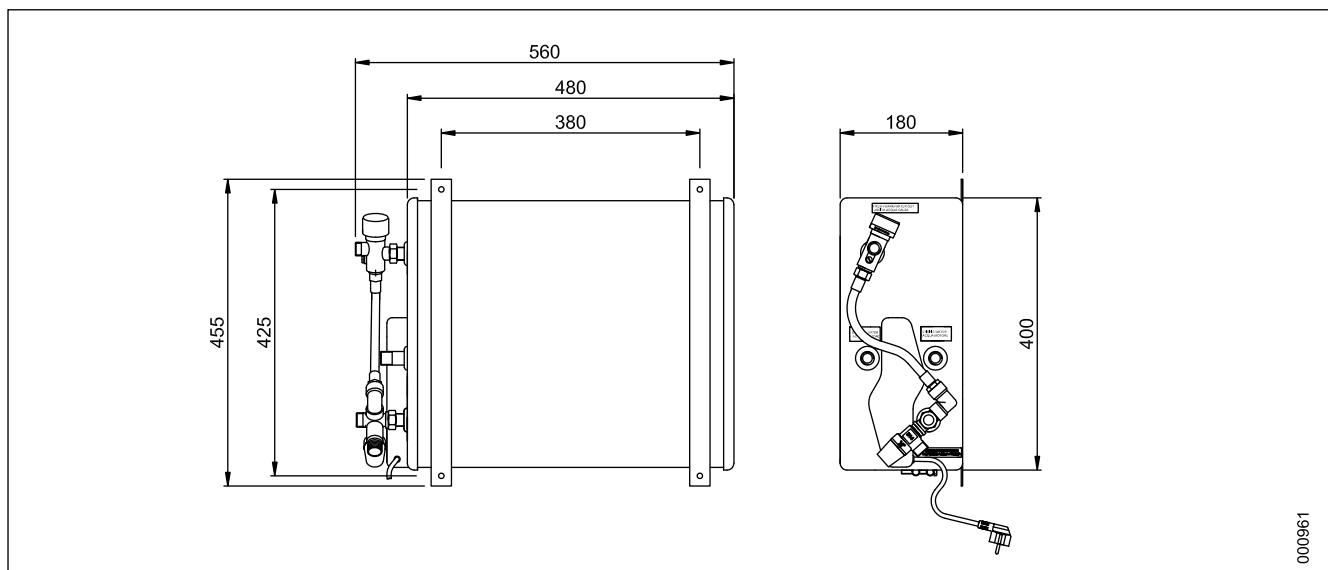


Fig. 14

En cas de nécessité et en cas de différends concernant la traduction et les concepts utilisés dans cette version linguistique des instructions pour montage et exploitation comme originale et avec priorité d'interprétation sera considérée sa version anglaise.

9. Garantie Indel Webasto Marine

La garantie Indel Webasto Marine est conforme à la directive européenne 2019/771

9.1 Période de validité

La garantie de tous les chauffe-eau Isotemp est valable 2 ans sur les coûts de main-d'œuvre, de réparation et de remplacement, mais uniquement s'ils sont effectués par des réparateurs agréés du réseau IWM.

La validité de la garantie de fuite du réservoir intérieur ou du serpentin d'échange de chaleur est de 5 ans (les coûts de main-d'œuvre sont exclus après les 2 premières années).

La garantie est valable uniquement pour les chauffe-eau installés dans des bateaux et n'est pas valable pour les chauffe-eau installés dans des véhicules de loisirs ou d'autres équipements autres que les équipements marins. La période de validité commence à partir de:

- a) La date de vente du produit indiquée sur le ticket de caisse ou la facture.
- b) La date de vente indiquée sur la facture ou l'enregistrement de la première vente du bateau sur lequel le produit est installé si l'installation a été réalisée par le fabricant du bateau.
- c) Si aucune des conditions ci-dessus n'est remplie, la validité commence à compter de l'année et de la semaine de production indiquée dans le S/N (le numéro de série) sur l'étiquette du produit.

Le remplacement d'un produit ou d'un composant n'affecte pas la période de validité.

9.2 La garantie couvre:

- Remplacement ou réparation du produit ou d'un ou plusieurs composants reconnus comme défectueux et dus à un dysfonctionnement de la fabrication.
- Dommages ou dysfonctionnements des composants encourus pendant la période de garantie malgré les preuves d'une installation et d'une utilisation correctes.
- Frais de travail et de déplacement basés sur les Procédures d'opération établies dans ce document.
- Frais d'expédition du produit lors du remplacement (sauf les frais de dédouanement).

9.3 La garantie ne couvre pas les défauts ou les dommages causés par:

- négligence, imprudence ou mauvaise utilisation
- mauvaise installation ou manipulation imprudente
- mauvaises connexions électriques
- dimensions des câbles incorrectes
- maintenance incorrecte ou effectuée par du personnel non autorisé
- non-respect des instructions données dans le guide d'utilisation
- dommages causés par le transport
- produits installés dans un endroit autre que le bateau
- fuites d'eau provenant de chauffe-eau dont l'eau utilisée n'est ni propre, ni fraîche, ni à forte conductivité électrique, ni à forte teneur en sels.
- frais de dédouanement
- usage professionnel
- dommages causés par les intempéries
- frais de démantèlement et / ou de réinstallation de meubles ou d'autres structures

9.4 Informations nécessaires pour établir si le cas particulier est couvert par la garantie:

- Numéro de pièce (inscrit sur l'étiquette du produit)
- S/N (numéro de série) (inscrit sur l'étiquette du produit)
- Facture, reçu ou document d'enregistrement (voir le paragraphe concernant la validité)
- Type du bateau
- Description détaillée du défaut. (Si possible, joindre des photos)
- Description de l'installation. (Si possible, joindre des photos)

(S'il s'avère que la garantie ne couvre pas le cas spécifique, le client est tenu de payer les coûts des éventuelles réparations, remplacements, main-d'œuvre, déplacement et transport. IWM n'est pas obligé de couvrir les coûts.)

9.5 Procédures d'opération à appliquer une fois qu'il est établi que le cas particulier est couvert par la garantie:

Le service de garantie ne doit être effectué que par les partenaires de service d'IWM (pour consulter la liste visitez www.indelwebastomarine.com).

IWM ne couvre pas les coûts des services réalisés par des tiers.

Le technicien agréé par l'IWM doit monter à bord du bateau si celui-ci se trouve à moins de 100 km de la station-service. IWM est tenu de couvrir les frais de déplacement. Si le bateau se trouve à plus de 100 km de la station-service, le propriétaire peut choisir de payer les frais de voyage du technicien (payer directement au technicien) ou de rapprocher le bateau.

IWM ne rembourse pas les pièces de rechange achetées ailleurs que chez IWM ou le distributeur officiel IWM.

Innehållsförteckning

1. Säkerhetsanvisningar
2. Placering tank
3. Montering
4. Anslutningar
 - 4.1 Nipplar
 - 4.2 Slangar
 - 4.3 Anslutning till motorn
 - 4.4 Färskvattensystem
 - 4.5 Elanslutningar
5. Uppstart/test
6. Underhåll
 - 6.1 Tryckavlastningsapparat / Säkerhetsventil
 - 6.2 Vintertömning
 - 6.3 Byte termostater
 - 6.4 Byte elpatron
7. Dubbla motorvattenslingor
8. Tekniska data
 - 8.1 Basic
 - 8.2 Slim
 - 8.3 Slim Square
9. Garanti

1. Säkerhetsinstruktioner

Denna bruksanvisning är sammanställd för att vara vägledning till användandet av denna varmvatten-beredare på ett säkert sätt. Den innehåller information om användande och underhåll.

Läs igenom bruksanvisningen ordentligt så att du lär känna produkten på ett bra sätt och förvara denna bruksanvisning på ett lämpligt ställe ombord.

Det är viktigt att varmvattenberedaren monteras och sköts på rätt sätt. Under vintertid då beredaren inte användes måste den tömmas ordentligt på färskvatten så att frysskador på tank och ventiler undviks.

Varje varmvattenberedare är testad i produktion före leverans och har två års fabriksgaranti när det gäller felaktigheter i material och/eller tillverkning.

Indel Marine S.r.l. har inget ansvar för skador som uppstått på produkten eller personskador som kan ha uppstått i samband felaktig installation eller felaktigt handhavande.



Fara!

All 230V elinstallation ombord ska utföras av behörig personal.

Varmvattenberedaren måste var ansluten till skyddsjord.



Fara!

Använd alltid rätt kabeldimension, rätt dimensionerad säkringsutrustning och jordfelsbrytare.



Varning!

Om strömkabeln är skadad, måste den bytas av tillverkaren, dess servicepartner eller en lika kvalificerad person för att undvika fara.



Varning!

Anslut inte varmvattenberedarens elpatron till nätström förrän beredaren är fylld med vatten.



Varning!

Endast rent och drickbart sötvatten måste användas, salter (klorider) bör vara mindre än 50 mg/Lt och den elektriska konduktiviteten bör inte överstiga 200 µS/cm. Det är ett villkor för att garantin skall gälla därför att en överträdelse kan medföra skada på reservoarens rostfria stål.



Varning!

Vattnet i varmvattenberedaren blir lika varmt som motorn, risk för skällning!

OBS!

Läs noggrant igenom kapitel 4.5 om korrosionsrisker i samband med landströmsanslutning.

OBS!

Följ noggrant motortillverkarens rekommendationer vad gäller anslutning av beredaren till motorns kylsystem.

OBS!

När det finns risk för frysning se Kapitel 6.2.




Varning!

Denna anordning kan användas av barn som är 8 år gamla och äldre och personer med fysiska, sensoriska eller mentala funktionshinder, eller sådana med brist på erfarenhet eller kunskap, om de övervakas eller har instruerats om hur anordningen används på ett tryggt sätt och förstår riskerna. Barn bör inte leka med anordningen. Det är förbjudet att barn utan övervakning rengör och utför underhåll av anordningen.

Miljö:

Denna produkt är märkt enligt EG direktiv 2012/19/EU beträffande elektriskt och elektroniskt avfall (Waste Electrical and Electronic Equipment, WEEE).

Genom att säkerställa en korrekt kassering av denna produkt bidrar du till att förhindra potentiella, negativa konsekvenser för vår miljö och vår hälsa, som annars kan bli följden om produkten inte hanteras på rätt sätt.

Symbolen  på produkten, eller i medföljande dokumentation, indikerar att denna produkt inte får behandlas som vanligt hushållsavfall. Den skall i stället lämnas in på en lämplig uppsamlingsplats för återvinning av elektrisk och elektronisk utrustning. Produkten måste kasseras enligt lokala miljöbestämmelser för avfallshantering.

För mer information om hantering, återvinning och återanvändning av denna produkt, var god kontakta de lokala myndigheterna, ortens sophanteringstjänst eller butiken där produkten inhandlades.

2. Placering av beredaren

Varmvattenberedaren kan monteras var som helst i båten så länge den sitter monterad så att motorvattenslingan inte hamnar över nivån på motorns expansionskärl. (Fig. 1). Det är en fördel att hålla slangarna mellan motorn och beredaren så korta som möjligt för lägsta värmeförlust och minsta strömingsmotstånd. Varmvattenberedarens värmeväxlare kan anslutas antingen parallellt eller i serie med motorns kylvattenkrets. Valet avgörs av hur motortillverkaren anger att beredaren ska anslutas.

Konsultera motortillverkaren eller dess representant för att få rekommendationer beträffande montering och anslutning av motorvattenslangar till motor och varmvattenberedare.

Ifall varmvattenberedaren måste placeras högre än motorns expansionskärl, måste motorvattenslangarna vara försedda med en avluftningsnippel på högsta punkten så att systemet kan avluftas på ett effektivt sätt. denna utrustning finns som tillbehör.

Anslutningsschema

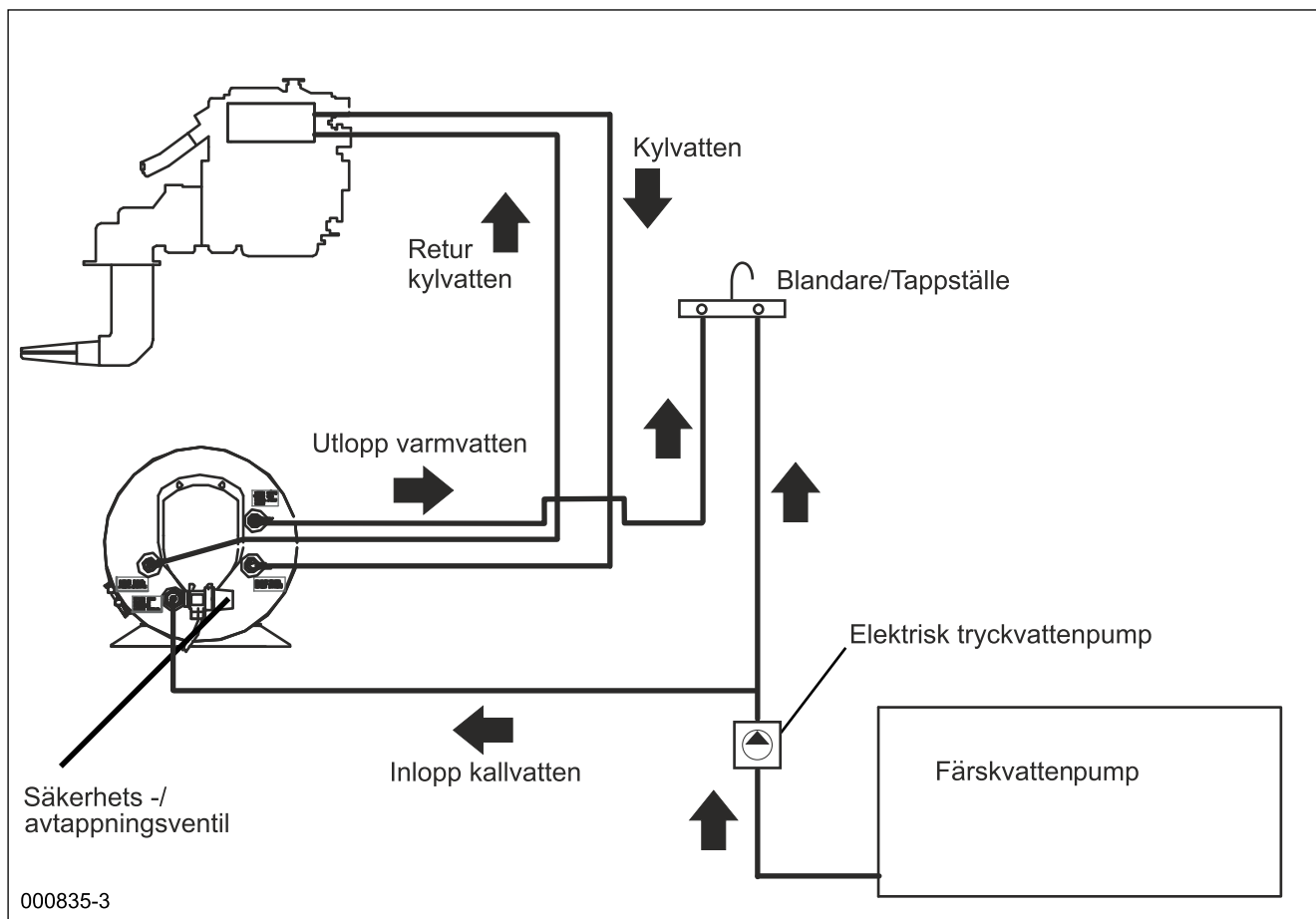


Fig. 1

3. Montering

Isotemp Basic, Slim & Slim Square är designade så att de kan monteras horisontellt eller vertikalt stadigt fästsatta i sina fästfötter. De ska alltid monteras så att anslutningarna är riktade neråt så att beredaren kan tömmas på sitt innehåll. Fötterna kan vridas runt beredaren på Basic och Slim för att underlätta montering även på ett skott. Beredaren ska alltid monteras så att säkerhetsventilen med avtappningsfunktion alltid sitter som lägsta punkt på beredaren. **Tänk på att beredarens vikt ökar med påfylld vattenvolym.** Montera varmvattenberedaren på ett sådant sätt att

tillräcklig plats finns framför alternativt under densamma för servicearbeten, som byte av elpatron, termostater, etc. Se fig. 2

Slim Square kan stå upp, ligga ner, eller vridas i alla möjliga lägen som kan ses i fig. 7.

Fig 3 visar vattenanslutningarna på Basic, fig. 4 Basic med dubbla slingor, fig. 5 Slim och fig. 6 Slim Square.

Min. 30 cm fritt utrymme framför/under beredaren är att föredra för att underlätta service.

Isotemp Basic & Slim

Monteringsalternativ, horisontellt eller vertikalt.

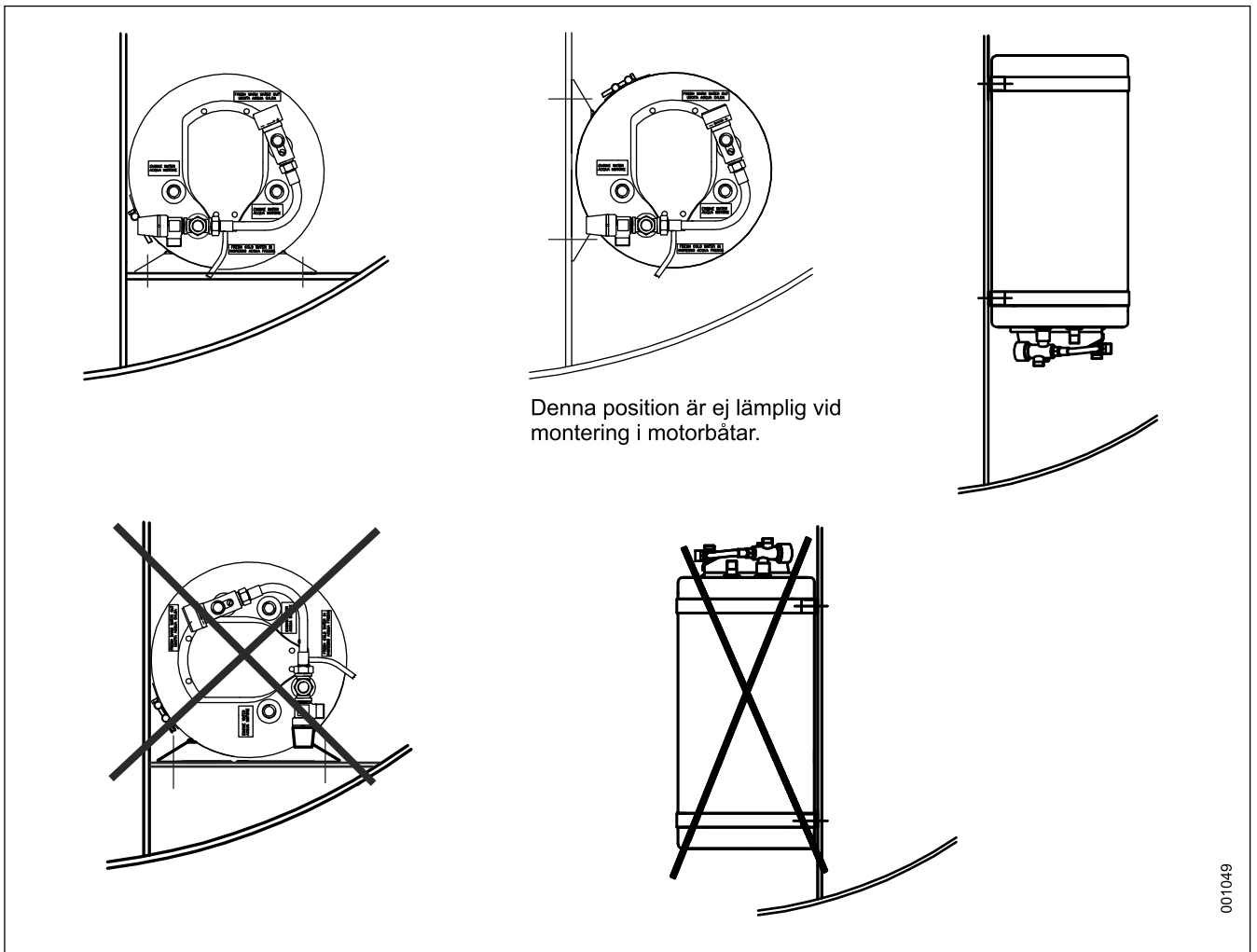


Fig. 2

Isotemp Basic med och utan termostatblandare

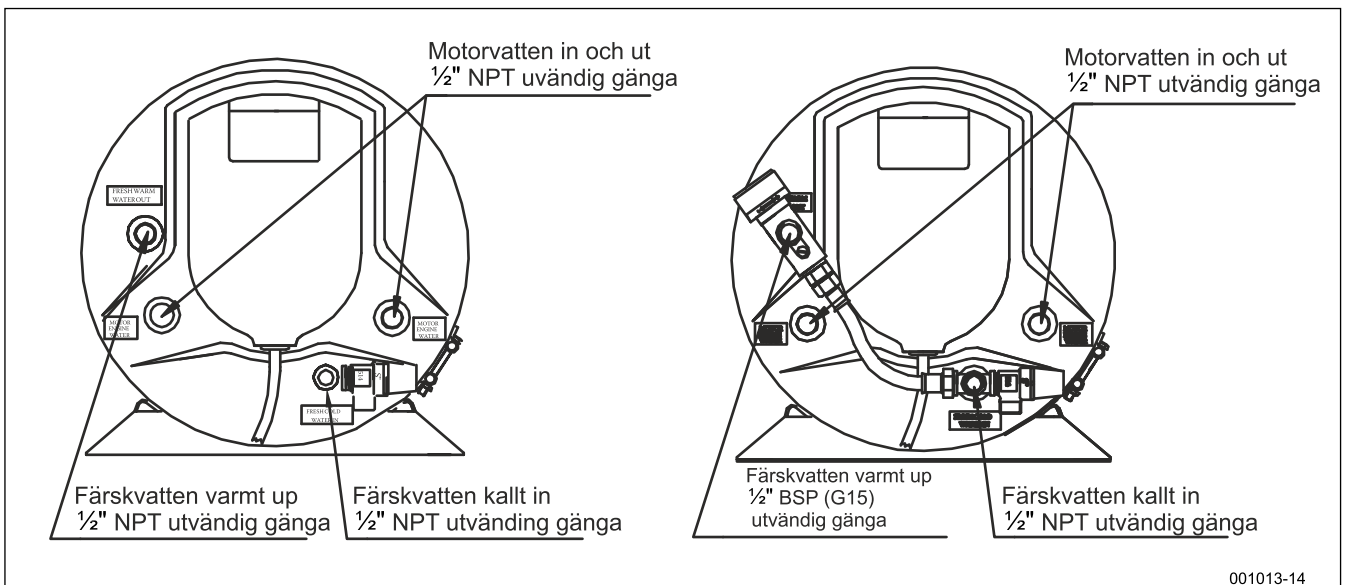


Fig. 3

Isotemp Basic med dubbla motorvattenslingor, utan och med blandningstermostat

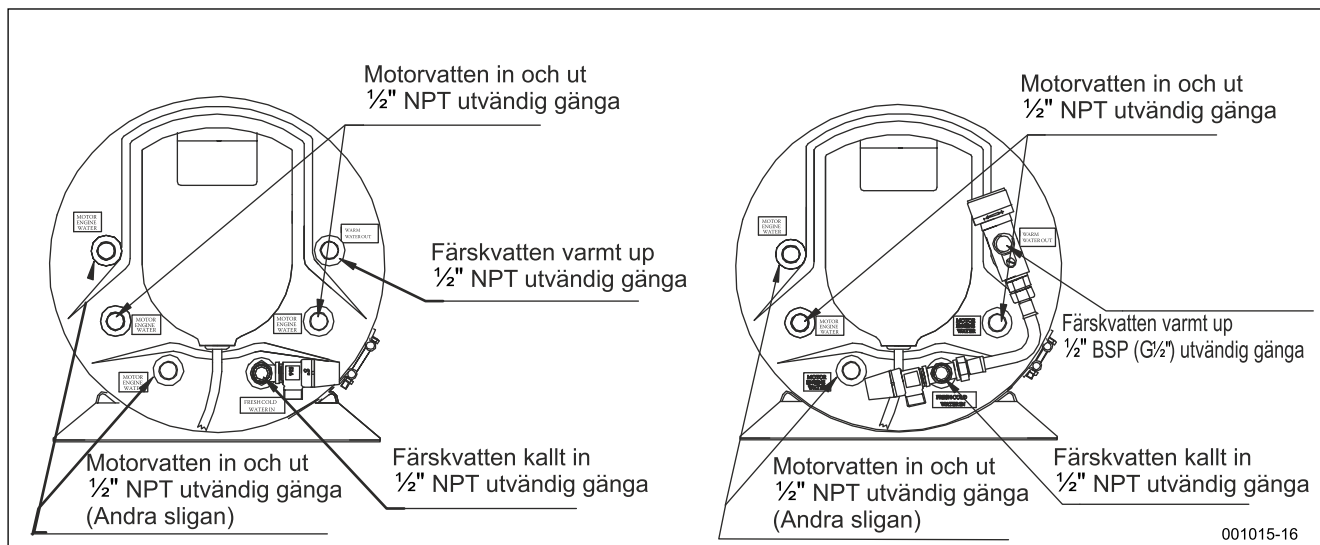


Fig.4

Isotemp Slim utan och med blandningstermostat

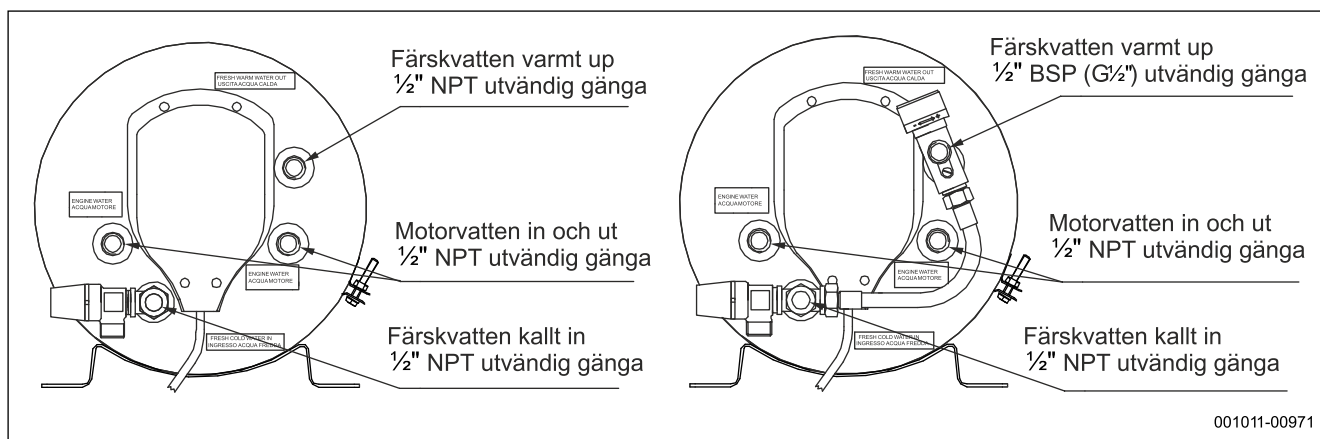


Fig. 5

Notera:

Slangnipplar med parallell G15 gänga (1/2" BSP) passar också på utvändig 1/2" NPT konisk gänga.

Slim Square utan och med blandningstermostat

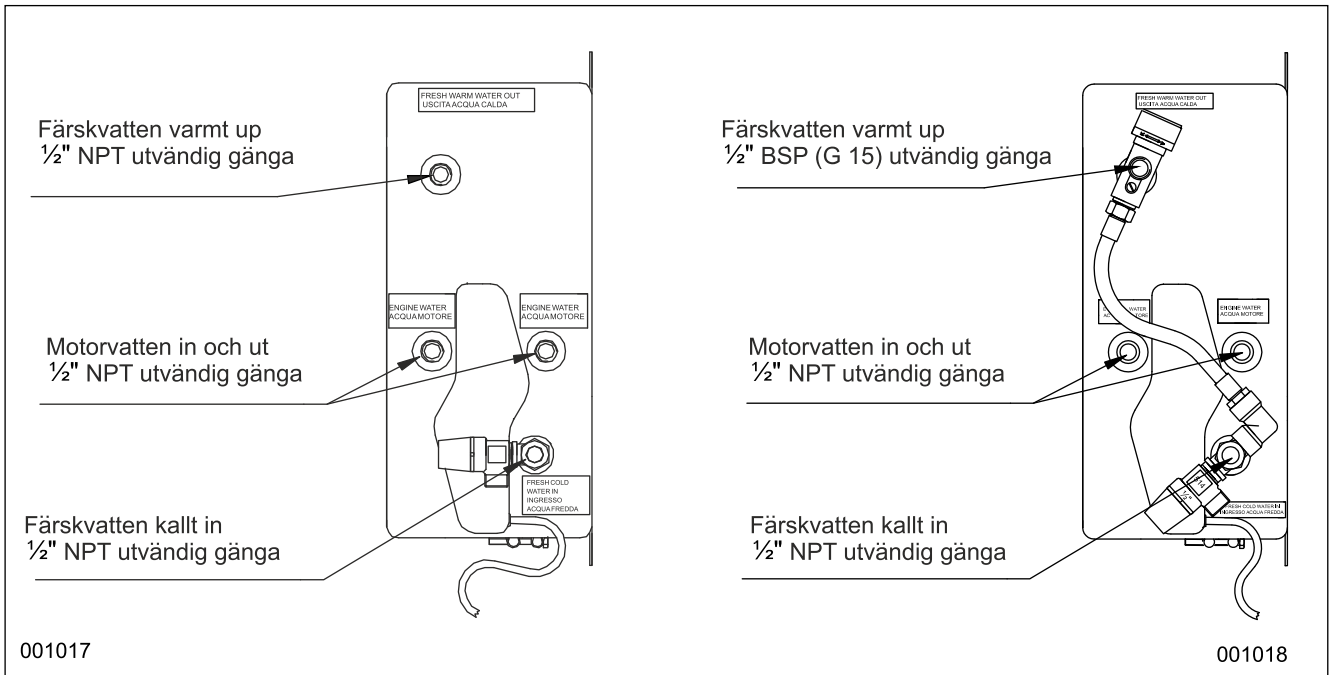


Fig. 6

Slim Square

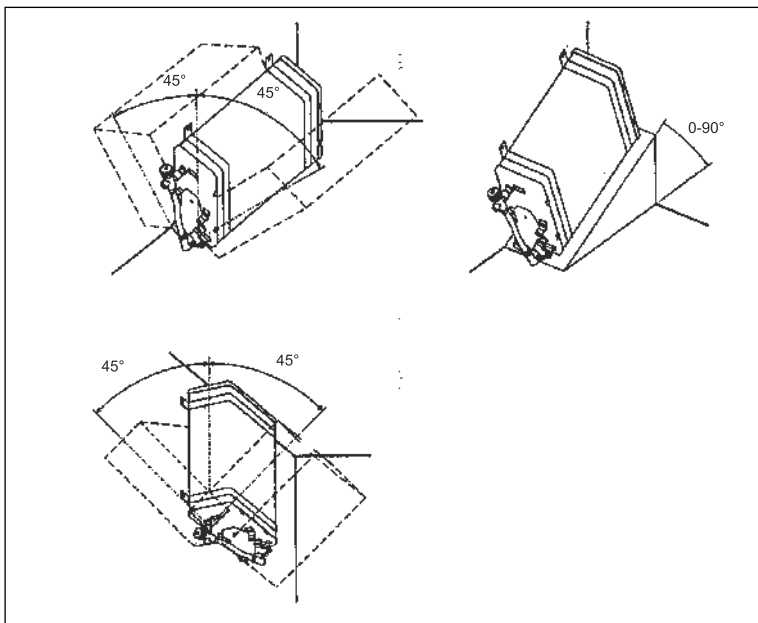


Fig. 7

Slim Square alternativa monteringspositioner.
Kom ihåg, säkerhetsventilen med sin avtappningsfunktion ska alltid sitta som lägsta punkt på beredaren.

4. Vattenanslutningar

4.1 Material: Använd enbart nipplar, rörkrökar etc i korrosionsbeständigt material, som mässing eller rostfritt. Nippelsats för slanganslutningarna finns som tillbehör. Plastnipplar ska undvikas av hållfasthetsskäl. ett plötsligt stort läckage kan orsaka utebliven motorkylning och utsprutande hett vatten.

4.2 Slangar: Använd enbart värmebeständig (min 100°C) vävförstärkt gummislang, resistent mot kylvätska och som klarar 5 bars tryck,

till kylvätskeslangarna. För färskvattenanslutningarna skall även slang användas som tål värme, 8 bars tryck och inte avger smak (livsmedelskvalitet). Detta gäller även anslutning för kallvatten in. Alla slangar säkras ordentligt med slangklämmor. Gängade anslutningar tätas med gänglåsning/tätning typ Loctite 577, Bondline T777 eller liknande. Slangnipplar med gänga G15 (1/2" BSP) passar på beredarens gängade anslutningar.

4.3 Motoranslutningar (se anslutningsschema, fig. 1):

Beredarna är avsedda att anslutas till färskvat-tenkylda motorer. Följ motortillverkarens uppgifter på lämpliga uttag på motorns kylvattensystem, där slangnipplarna ska monteras. Uttagen ska ha sådan tryckskillnad, att god (minst 2 l/min) kylvattencirkulation till beredaren erhålles. Om båten har två motorer, ansluts beredaren till en av dem. Om två beredare monteras, ansluts dessa parallellt. Slangar, nipplar och rör skall ej vara av klenare dimension än beredarens anslutningar (16 mm / 5/8") för att förhindra strypning.

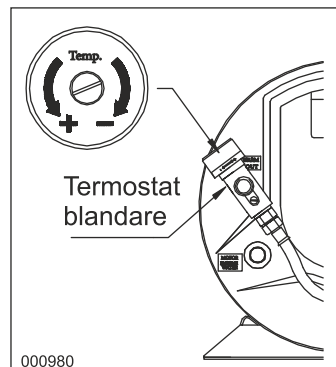
Vid anslutning till små dieselmotorer på 10-15 hk kan det dock vara nödvändigt att minska flödet genom beredaren för att bibehålla motorns kylkapacitet.

4.4 Anslutning färskvatten (se anslutnings-schema, fig 1):

Beredaren är avsedd att kopplas in så att den förses med färskvatten av en elektrisk tryckvattenpump från vattentanken. Den elektriska vattenpumpen får ge max. 3,8 bar tryck, 2,9 bar för Slim Square, där en flermembranpump ger jämnare flöde och mindre tryckstötter. Vid högre tryck kommer säkerhetsventilen eventuellt att lösa ut vid 7,0 bar respektive 5,5 bar, vid uppvärmning av vattnet.

Varmvattenutloppet, som även avluftar beredaren, bör anslutas till blandarkranar vid respektive vask, så att alltid kallvatten kan blandas in för lämplig temperatur. **Varning!** Tänk på att vattnet håller motortemperatur, risk för skållning!

Ställ in lämplig temperatur på beredarens termostat-blandare, mellan 38 och 65°C, när en sådan finns monterad.



Om en slangnippel och slang monteras på säkerhetsventilens avlopp, G½", skall också denna vara värmebeständig och låsas med slangklammer. Slangen måste alltid ha ett fritt utlopp och ska inte anslutes kran och bordgenomföring.

Vid uppvärmning av vattnet expanderar detta, trycket stiger, och en mindre mängd kan spillas ut genom säkerhetsventilens avlopp. Det är normalt.

4.5 Elanslutningar

Se schema fig. 8

Allt är färdigkopplat till beredarens elpatron och den är försedd med sladd och jordad stickpropp. Sladden är kort för att markera att ett vägguttag skall finnas i direkt anslutning till beredaren. Väggtuttaget ansluts till landströmsenhet med dubbelsäkring och jordfelsbrytare som skall finnas ombord. Dessa enheter liksom övrig fast elinstallation i båten avsedd att anslutas till elnätet, skall utföras enligt gällande bestämmelser. Varmvattenberedaren och dess elinstallation är utförd så att de uppfyller gällande EU-krav på detta område.

OBS! När båten lämnas en längre tid skall alltid beredarens stickpropp tas ur, så att även skyddsjord är bruten, detta även om båtens landströmsanslutning är frånslagen (inom vissa områden kan det i elsystemet uppstå en potentialskillnad mellan skyddsledningen och sjövattnet = båtens jord. Detta kan på sikt skada elpatronen, beredaren och andra metalldelar ombord). Installation av en isolationstransformator eliminerar risken för galvanisk korrosion vid landströmsanslutning.

Ta alltid ur stickproppen till elpatronen, eller på annat sätt bryt landströmsförbindelsen helt och hållet innan skyddskåpan framför elpatron och termostater tas bort. Elkretsen innehåller en driftstermostat på 75°C och ett överhettningsskydd på 96°C. Om överhettningsskyddet aktiverats måste det återställas manuellt genom att trycka ner återställarknappen. Se avsnitt 6:2 - Fig. 10.

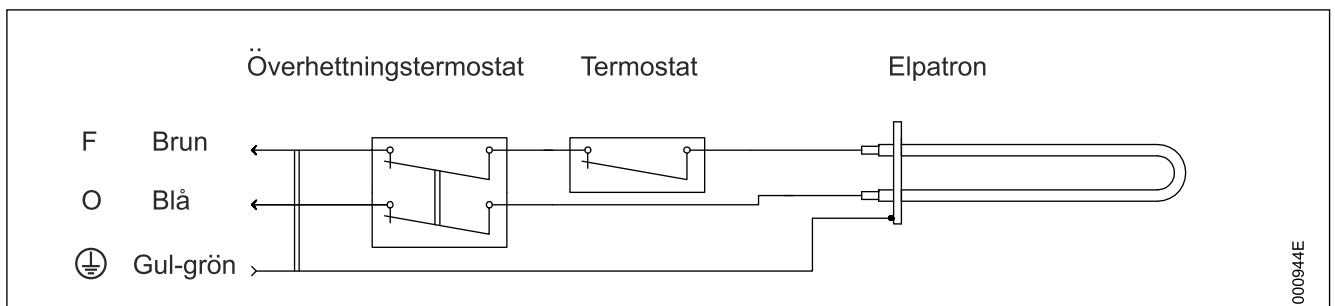


Fig. 8

5. Uppstart / provkörning

Fyll på färskvatten, genom att starta tryckvattenpumpen och låta varmvattenkranen vara öppen, så att luft och senare vatten strömmar ut. Kontrollera att inget vattenläckage förekommer. Koppla in elkontakten först sedan beredaren är helt fylld med vatten. Spillvattenledningen från säkerhetsventilen måste alltid ha fritt utlopp.

Starta båtmotorn och kontrollera att kylvatten-cirkulationen kommer igång genom beredarens motorvattenslinga.

Om slangarna dragits, så att luftfickor bildats, kan det bli nödvändigt att avlufta dessa, genom att höja och sänka slangarna. Se till att slangarna blir riktigt fixerade. Kompensera vid behov kylvätskan i motorns kylsystem för den volym som beredarens motorslinga och slangar representerar.

Sätt i sladden till elpatronen, slå på huvudbrytaren och kontrollera att elpatronen värmer vattnet.

Kontrollera att alla slanganslutningar är täta.

6. Underhåll

6.1 Tryckavlastningsapparat / Säkerhetsventil

Tryckavlastningsapparat (säkerhetsventilen) måste tas i bruk (Bild 9) regelbundet för att ta bort kalkavlagringar och för att kontrollera att den inte är blockerad.

6.2 Vintertömning: Då frysrisk föreligger måste beredaren tömmas på färskvatten.

Ta av slangen för varmvatten ut på beredaren eller öppna luftskruven (M5 stjärnskruv) på blandningsventilen. Ta bort skruven helt och hållet för att säkerställa att luft kan komma in i beredaren.

Öppna säkerhetsventilens avtappningsfunktion genom att vrida det svarta vredet på säkerhetsventilen ett snäpp motsols. Vattnet kommer nu rinna ur via avtappningshålet i säkerhetsventilen.

Om motorns kylvattensystem inte har frostskyddsblandning, måste också kylsystem, slangar och rörslingan i beredaren tömmas ordentligt. Beredaren kan därefter sitta kvar ombord över vintern. Ta ur sladden så att beredaren inte kan torrkoras om båten anslutes till nätet.

6.3 Utbyte/återställning av termostat:

Varning: Bryt strömmen, ta ur sladden först!

Elpatronen är standard på 750 watt. Om elpatron med högre effekt användes finns risk för att många landströmsanläggningar överbelastas. Varmvattenberedaren har såväl drifts- som överhettningstermostater, som bryter strömmen vid 75°C respektive 96°C. Om överhettningsskyddet löst ut måste det manuellt återställas, genom att trycka in kontrollknappen igen. Se fig 10

Kontrollera också varför överhettningsskyddet löst ut, fungerar inte driftstermostaten? Inget vatten i beredaren?

Byte termostater: Ta av skyddskåpan i plast. (2 skruvar på Basic, 4 skruvar på Slim och 3 på Slim Square). Dra a kabelskorna från den termostat som ska bytas, notera kabelpositioner först!

Termostaternas känselkroppar är instuckna i ett dykrör mitt i beredaren, dra ut dem. Lossa termostatens (-ernas) fästskruv och ta bort termostaten. Montera nytt i motsatt ordning, tryck in känseländarna i dykröret så långt det går.

OBS! när båten lämnas en lägre tid skall alltid beredarens stickpropp tas ur, så att även skyddsjord är bruten, detta även om landströmsanslutningen är frånslagen. Inom vissa områden kan det uppstå en potentialskillnad i elsystemet mellan landjord och sjövattnet=båtens jord, som kan skada elpatron, varmvattenberedare, motor och/eller propeller och drev.

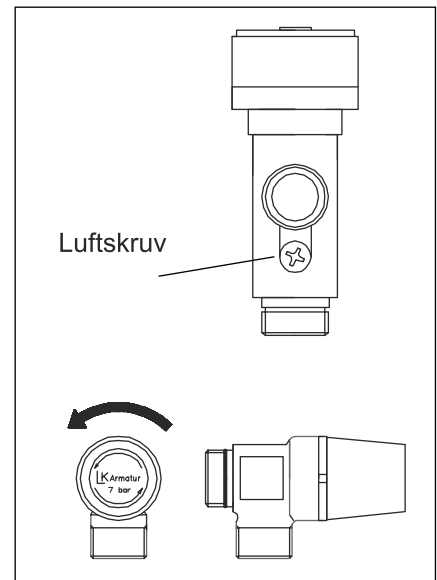


Fig. 9

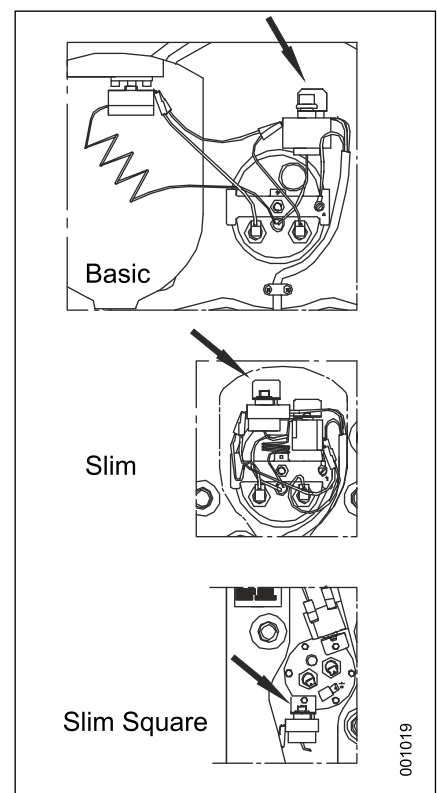


Fig. 10

6.4 Utbyte av elpatron:

**Varning! Stäng av strömmen först!
Dra ur sladden. Töm tanken på vatten.**

Basic och Slim

Skruva loss plastkåpan. Lossa termostaten (Slim) och överhettningsskyddet från sina fästen för att lättare komma åt elpatron med fästbricka. Ta loss elkablarna från elpatronen. Skruva loss låsbygeln, fig. 11B, elpatronen med fästbricka faller eventuellt in i beredaren. Sätt på muttern, fig. 11A, igen på den gängade centrumbulten, det blir lättare att hålla i hela enheten då.

Vrid fästplattan med elpatron inne i tanken 90° till vänster så att sladdfästena sitter åt höger, sväng hela enheten så att den tar i väggen inne i tanken till vänster, över motorvattenslingans rör. Trä ut hela enheten genom hålet med vänstersidan först, det kan vara lättare om gummipackningen först har krängts av inåt.

Lossa elpatronen från fästplattan, (NV 19 mm), montera sedan ny elpatron med nya styrningar och gummipackningar. Montera tillbaka hela enheten i omvänd ordning, men sätt på den stora gummitätningen först.

Elpatronen ska efter montering peka lite nedåt i tanken, sitta parallell med dyrkröret.

Slim Square

Elpatronen på Slim Square sitter fast i en rund bricka som är fästsatt med sex skruvar mot en fläns på beredaren. Se fig. 11. Den har en slät gummipackning.

Notera i vilket läge fästbricka med elpatron är monterad.

Först, dra av elkablarna från elpatronen. Lossa de sex skruvarna, elpatronen med bricka kan nu dras ut.

Skruva loss elpatronen från brickan (NV 19 mm), montera ny elpatron med nya stödringar och gummitätningar. Montera elpatron med fästbricka tillsammans med ny gummitätning i samma position som tidigare.

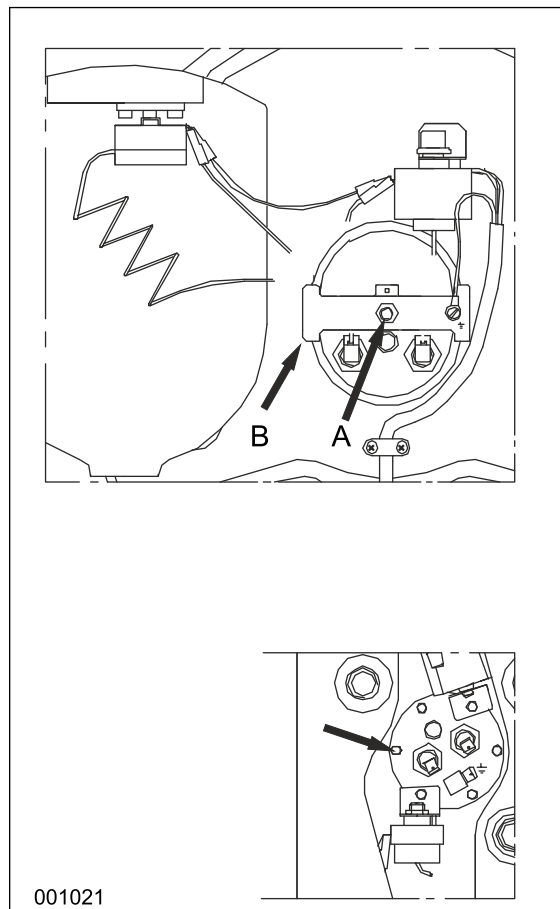


Fig. 11

7. Basic 40 & 75 L med dubbla motorvattenslingor

Den båda motorvattenslingornas anslutningar framgår av fig. 4. Båda slingorna har anslutningar på beredarens framgavel. Utbyte av elpatron utföres som beskrivs ovan för Basic. Se fig. 4.

7. Tekniska data

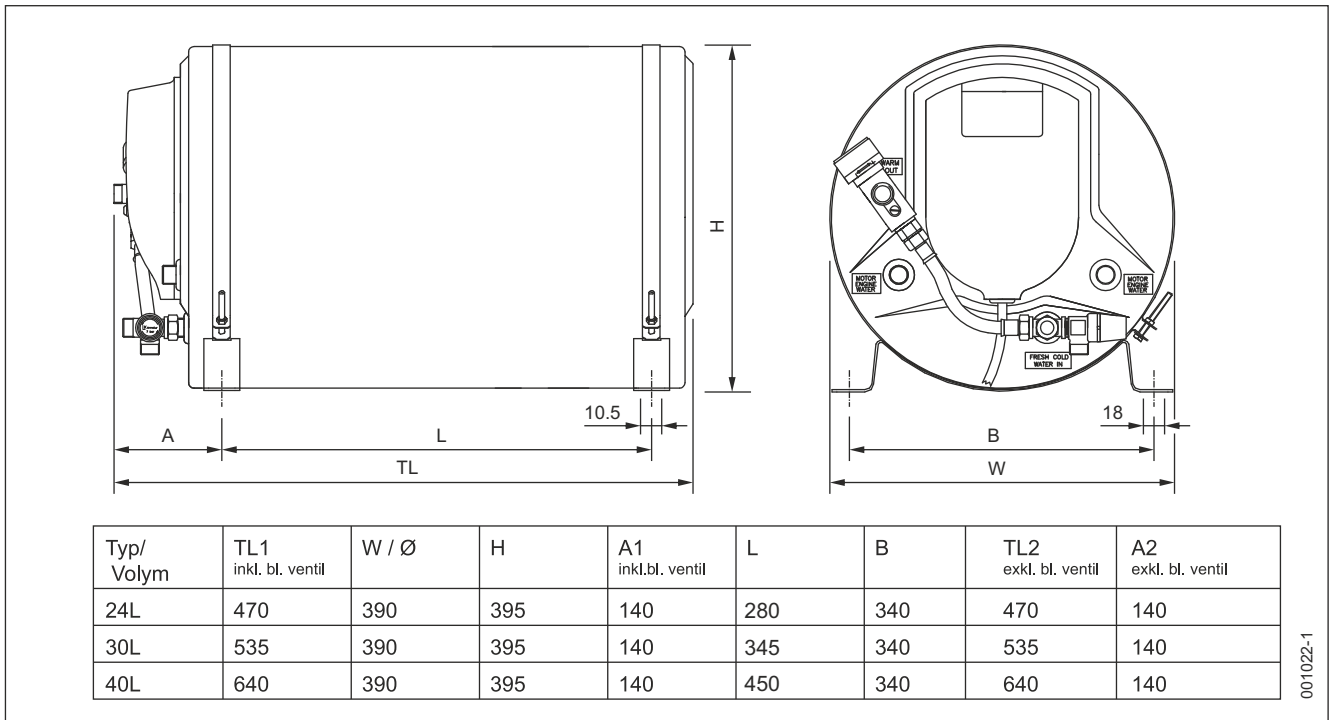
8.1 Basic

Typ	Volym lit.	Vikt kg	Elpatron	Elpatron tillval	Termostatblandare
602431B000000	24	12.5	230V~ 750W	115V~ 750W	-
602431B000003	24	12.5	230V~ 750W	115V~ 750W	X
602431BD000000 (Dubbla slingor)	24	13	230V~ 750W	115V~ 750W	-
602431BD000003 (Dubbla slingor)	24	13	230V~ 750W	115V~ 750W	X
603031B000000	30	13.5	230V~ 750W	115V~ 750W	-
603031B000003	30	13.5	230V~ 750W	115V~ 750W	X
604031B000000	40	15.5	230V~ 750W	115V~ 750W 115V~ 1200W * 230V~ 1200W *	-
604031B000003	40	15.5	230V~ 750W	115V~ 750W 115V~ 1200W * 230V~ 1200W *	X
604031BD000000 (Dubbla slingor)	40	16	230V~ 750W	115V~ 750W 115V~ 1200W * 230V~ 1200W *	-
604031BD000003 (Dubbla slingor)	40	16	230V~ 750W	115V~ 750W 115V~ 1200W * 230V~ 1200W *	X
605031B000000	50	17	230V~ 750W	115V~ 750W 115V~ 1200W * 230V~ 1200W * 230V~ 2000W *	-
605031B000003	50	17	230V~ 750W	115V~ 750W 115V~ 1200W * 230V~ 1200W * 230V~ 2000W *	X
607531B000000	75	24.5	230V~ 750W	115V~ 750W 115V~ 1200W * 230V~ 1200W * 230V~ 2000W *	-
607531B000003	75	24.5	230V~ 750W	115V~ 750W 115V~ 1200W * 230V~ 1200W * 230V~ 2000W *	X
607531BD000000 (Dubbla slingor)	75	25	230V~ 750W	115V~ 750W 115V~ 1200W * 230V~ 1200W * 230V~ 2000W *	-
607531BD000003 (Dubbla slingor)	75	25	230V~ 750W	115V~ 750W 115V~ 1200W * 230V~ 1200W * 230V~ 2000W *	X

* - 1200/2000 W elpatron endast vid horisontell montering

Dimensioner: Se fig 12a, 12b
 Material: Värmeväxlarrör, innertank och anslutningar: Rostfritt syrafast stål SIS2343
 Yterskal och fästfötter: Rostfritt stål SIS2333
 Elpatron: Nickelpläterad koppar
 Isolering: Polyuretan
 Säkerhetsventil: 7 bar

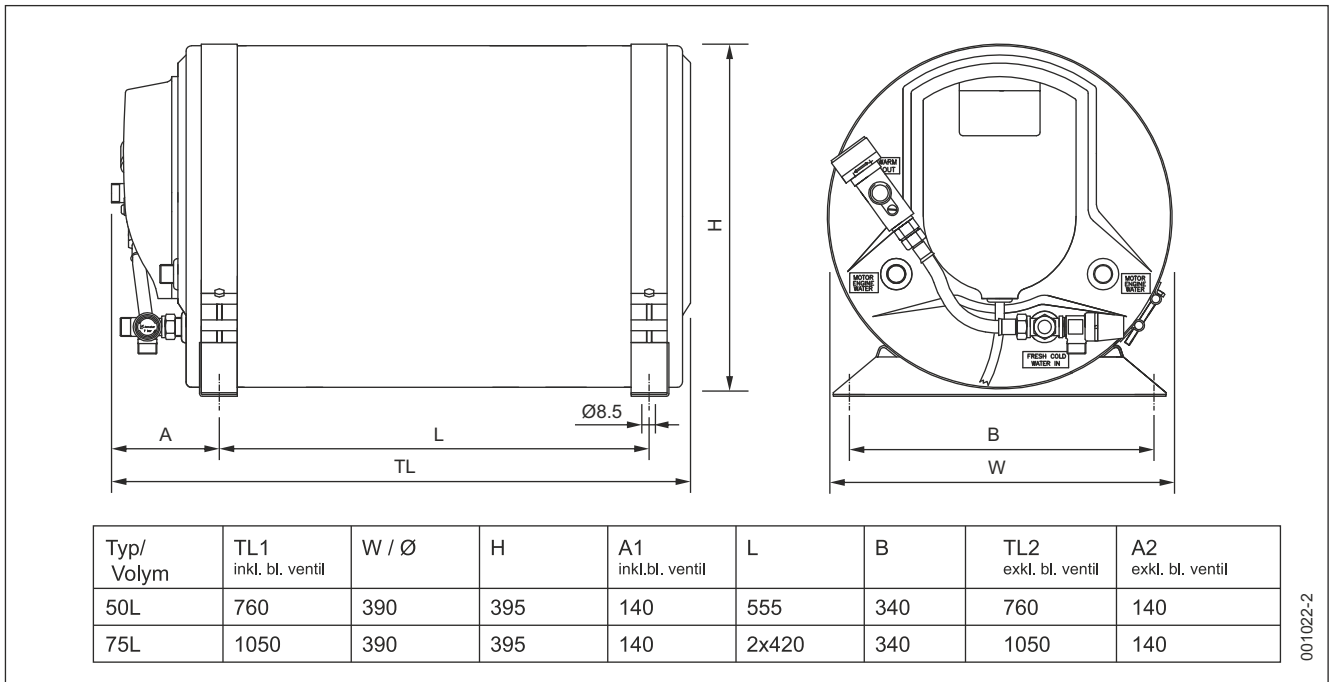
Dimensioner Basic 24, 30, 40



001022-1

Fig. 12a

Dimensioner Basic 50, 75



001022-2

Fig. 12b

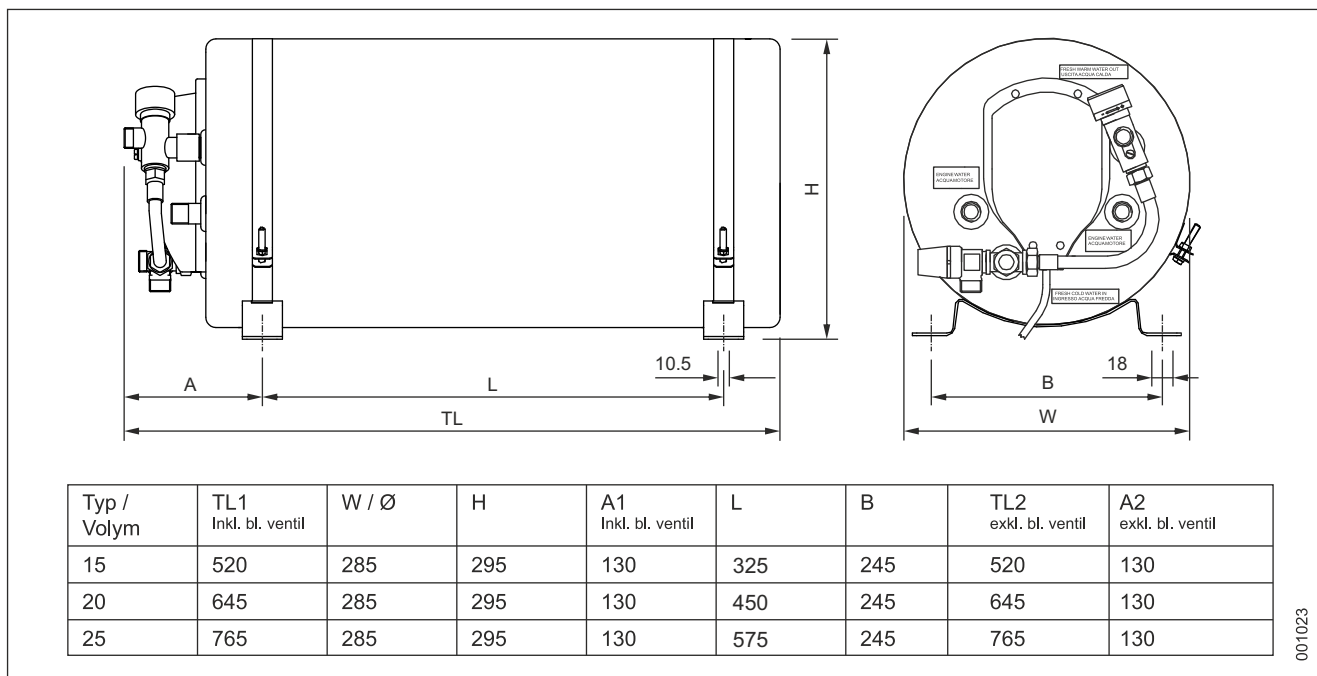
8.2 Slim

Typ	Volym lit.	Vikt kg	Elpatron	Elpatron tillval	Termostatblandare
601531S000000	15	9	230V~ 750W	115V~ 750W	-
601531S000003	15	9	230V~ 750W	115V~ 750W	X
602031S000000	20	10.5	230V~ 750W	115V~ 750W 115V~ 1200W * 230V~ 1200W *	-
602031S000003	20	10.5	230V~ 750W	115V~ 750W 115V~ 1200W * 230V~ 1200W *	X
602531S000000	25	12	230V~ 750W	115V~ 750W 115V~ 1200W * 230V~ 1200W * 230V~ 2000W *	-
602531S000003	25	12	230V~ 750W	115V~ 750W 115V~ 1200W * 230V~ 1200W * 230V~ 2000W *	X

* - 1200/2000 W elpatron endast vid horisontell montering

Dimensioner: Se fig 13
 Material: Värmeväxlarrör, innertank och anslutningar: Rostfritt syrafast stål SIS2343
 Ytterskal och fästfötter: Rostfritt stål SIS2333
 Elpatron: Nickelpläterad koppar
 Isolering: Polyuretan
 Säkerhetsventil: 7 bar

Dimensioner Slim



001023

Fig. 13

8.3 Slim Square

Typ	Volym lit.	Vikt kg	Elpatron	Elpatron tillval	Termostatblandare
601631Q000000	16	15.5	230V~ 750W	115V~ 750W	-
601631Q000003	16	15.5	230V~ 750W	115V~ 750W	X

Dimensioner: Se fig 14

Material: Värmeväxlarrör, innertank och anslutningar: Rostfritt syrafast stål SIS2343
Yttersvep och fästfötter: Rostfritt stål SIS2333. Yttergavlar i plast.

Elpatron: Nickelpläterad koppar

Isolering: Polyuretan

Säkerhetsventil: 5 bar

Slim Square Dimensioner

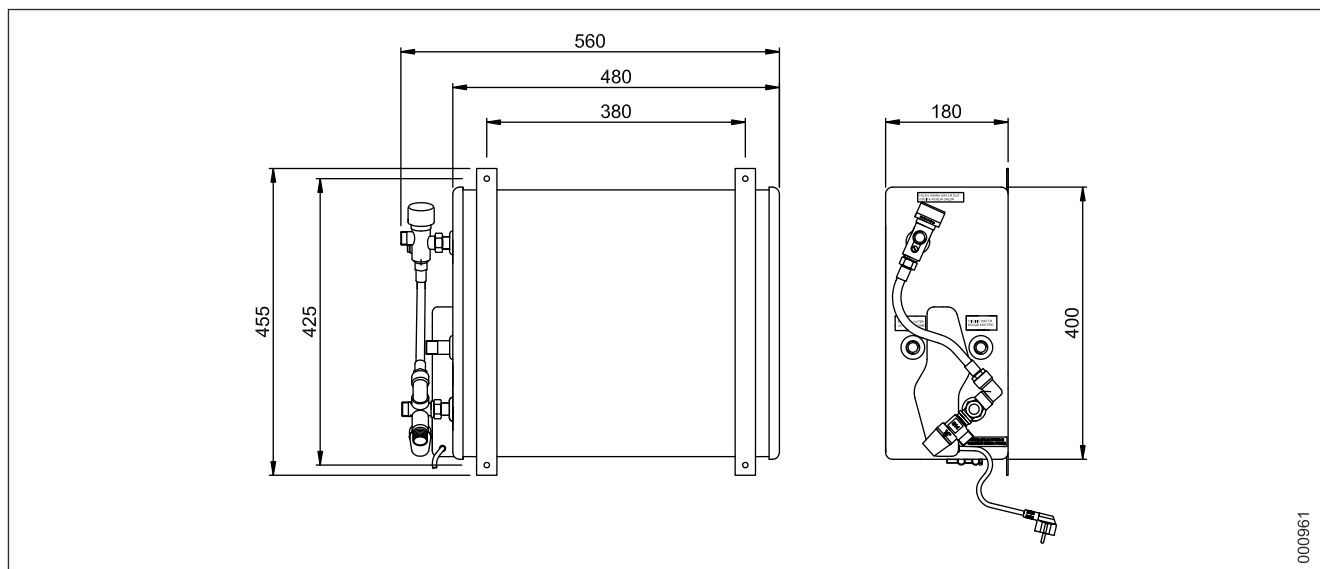


Fig. 14

Vid behov och om det skulle uppstå tvister i samband med översättningen och begreppen i denna språkversion av monterings- och bruksanvisningarna skall man använda som original och med företräde den engelskspråkiga versionen.

9. Garanti från Indel Webasto Marine

Garantin från Indel Webasto Marine motsvarar Europaparlamentets och rådets direktiv 2019/771

9.1 Giltighetstid

Garantin för alla varmvattenberedare Isotemp gäller i 2 år vad beträffar kostnaderna för arbete, reparation och byte men endast om dessa har utförts på auktoriserade verkstäder i IWM nätverket.
5 års giltighetstid för läckage från inre reservoaren eller spiralvärmväxlaren (arbetskostnaderna ingår inte efter de första 2 åren).

Garantin gäller endast för varmvattenberedare installerade på båtar, den gäller inte för varmvattenberedare installerade på fritidsfordon eller andra installationer än marina.

Giltighetstiden börjar löpa på:

- Försäljningsdagen för produkten som står på kvittot eller på fakturan.
- Försäljningsdagen som står på fakturan eller registreringen av den första försäljningen av båten där produkten installerats, om den blivit installerad av båtillverkaren.
- Om inget av ovannämnda villkoren har uppfyllts, börjar giltighetstiden löpa från tillverkningsåret och veckan angivna i S/N (serienumret) på produktetiketten.

Byte av produkt eller en del ändrar inte giltighetstiden.

9.2 Garantin täcker:

- Byte eller reparation av produkten eller en eller flera delar erkända som fel på grund av tillverkningsbrist.
- Sönderbrytning eller dysfunktion av delar inom garantin giltighetstid trots bevisad riktig installation och riktig användning.
- Arbets- och resekostnader med underlag Hanteringsreglerna i detta dokument.
- Kostnader för transport av produkten vid byte (förutom kostnader för tullklarering).

9.3 Garantin täcker inte fel eller skador som uppstått till följd av:

- slarv eller vårdlöshet eller missbruk
- felaktig installation eller oförsiktig hantering
- felaktiga elektriska anslutningar
- undermåliga kablar
- bristfälligt underhåll eller underhåll som utförts av icke-auktoriserad personal
- försummelse av instruktionerna angivna i bruksanvisningen
- transportskador
- produkter som installerats annanstans än på båtar
- vattenläckage från varmvattenberedare där vattnet som använts inte varit rent, färskt eller vatten med högt elektriskt konduktivitet eller hög salthalt.
- tullklaringskostnader
- yrkesmässig användning
- skador som orsakats av ogynnsamma väderförhållanden
- kostnader för demontering och/eller ominstallation av inredningar eller andra konstruktioner

9.4 Upplysningar som behövs för att avgöra om ett fall täcks av garantin:

- Produktnummer (Type) (som står på produktetiketten)
- S/N (serienummer) (som står på produktetiketten)
- Faktura, kvitto eller registreringsdokument (se punkten angående giltighet)
- Fartygstyp
- Ingående beskrivning av felet. (Om det är möjligt, bifoga bilder)
- Beskrivning av installationen. (Om det är möjligt, bifoga bilder)

(Om det fastställs att fallet inte täcks av garantin måste kunden stå för eventuell reparation, byte, arbets-, rese- och transportkostnader. IWM är inte skyldiga att betala alla dessa kostnader.)

9.5 Hanteringsregler att tillämpa när det fastställts att fallet i fråga täcks av garantin

Garantiåtgärder måste utföras endast av IWM servicepartner (se listan på www.indelwebastomarine.com).

IWM står inte för kostnader för åtgärder som utförts av andra.

Tekniker från det av IWM auktoriserade servicestället går ombord om båten ligger högst 100 km bort från servicestället. Då står IWM för resekostnaderna. Om båten ligger mer än 100 km bort från servicestället, kan fartygägaren välja bland att betala teknikern för hans resekostnader (betalning sker direkt till teknikern) eller flytta båten närmare.

IWM återbetalar inte pengar för reservdelar inköpta från ett annat ställe än från IWM eller en officiell IWM återförsäljare.

Índice

1. Reglas de seguridad
2. Ubicación del tanque
3. Montaje
4. Conexiones
 - 4.1 Accesorios
 - 4.2 Mangueras
 - 4.3 Conexiones al motor
 - 4.4 Conexiones del sistema de agua dulce
 - 4.5 Conexiones eléctricas
5. Puesta en marcha/Prueba
6. Mantenimiento
 - 6.1 Dispositivo de alivio de presión / Válvula de seguridad
 - 6.2 Preparación para el invierno
 - 6.3 Cambio del termostato
 - 6.4 Cambio del elemento calentador
7. Intercambiador de calor doble
8. Especificaciones técnicas
 - 8.1 Basic
 - 8.2 Slim
 - 8.3 Slim Square
9. Garantía

1. Reglas de seguridad

Este manual ha sido redactado para ayudarle a utilizar su calentador de agua de una manera segura y agradable. El manual incluye información sobre la operación y el mantenimiento del calentador.

Lea atentamente el manual, familiarícese con el producto y conserve el manual en un lugar seguro a bordo.

Es importante que su calentador de agua sea instalado y mantenido correctamente. Durante el período invernal, cuando la unidad está fuera de uso, es fundamental vaciar el agua para evitar el riesgo de daños por congelamiento.

Todos los calentadores son probados a presión antes de la entrega e incluyen una garantía de fabricación de 2 años por defectos de material o mano de obra.

Indel Marine S.r.l. no asume ninguna responsabilidad por daños en los equipos o lesiones del personal que puedan surgir de la instalación u operación inadecuada de este producto.



¡Peligro!

Todas las instalaciones eléctricas a bordo deben ser efectuadas por especialistas autorizados.

El calentador de agua debe conectarse debidamente a tierra con el sistema de CA.



¡Peligro!

Usar siempre el tamaño de cable metálico recomendado, fusible/disyuntor automático y un interruptor accionado por corriente de pérdida a tierra.



¡Advertencia!

Si el cable de alimentación está dañado, debe ser reemplazado por el fabricante, su agente de servicio o una persona con formación similar para evitar un peligro.



¡Aviso!

No conectar el elemento calentador a la red eléctrica antes de que el tanque del calentador de agua esté lleno de agua.



¡Advertencia!

Solo debe utilizarse agua pura y potable, la sal (cloruros) debe ser inferior a 50 mg/Lt y la conductividad eléctrica debe ser inferior a 200 μ S/cm. Esta es una condición para la validez de la garantía, porque si no se respeta, el acero inoxidable del depósito puede ser dañado.



¡Aviso!

Riesgo de quemaduras, el agua caliente en el calentador de agua estará tan caliente como el motor.

¡Precaución!

Tener en cuenta el capítulo 4.5 Conexiones eléctricas en cuanto al riesgo de corrosión vinculado con la alimentación exterior.

¡Precaución!

Seguir atentamente las instrucciones del fabricante del motor en cuanto a la conexión al sistema de refrigeración del motor.

¡Atención!

Cuando exista riesgo de congelación, consulte el Capítulo 6.2.



¡Atención!

Este dispositivo puede ser utilizado por niños de 8 años en adelante y personas con capacidades físicas, sensoriales o mentales reducidas, o que carezcan de experiencia y conocimiento, si están bajo la supervisión o se les ha dado instrucciones sobre el uso del dispositivo de manera segura y entienden el peligro involucrado. Los niños no deben jugar con el aparato. La limpieza y el mantenimiento del usuario no deben ser realizados por niños sin supervisión.

Consideraciones ambientales:

Este artefacto está marcado conforme a la Directiva europea 2012/19/EU sobre residuos eléctricos y electrónicos (WEEE).

Asegurándose de que este producto sea eliminado correctamente, usted contribuye a evitar las consecuencias negativas potenciales para el medio ambiente y la salud humana, que, de lo contrario, podrían ser causadas por el tratamiento inadecuado de los residuos de este producto.

El símbolo en el producto, o en los documentos que lo acompañan, indica que este artefacto no puede ser tratado como residuo doméstico.

En cambio, debe ser llevado hasta la planta de recolección aplicable para el reciclaje de equipos eléctricos y electrónicos. Su eliminación debe efectuarse de conformidad con las regulaciones ambientales locales para la eliminación de residuos.

Para una información más detallada sobre la manipulación, la recuperación y el reciclaje de este producto, póngase en contacto con su oficina municipal local, su servicio de eliminación de residuos domésticos o la tienda donde compró el producto.

2. Ubicación del tanque

El calentador de agua puede colocarse en cualquier lugar del barco, siempre y cuando las conexiones del intercambiador de calor del motor estén por debajo del depósito de agua de refrigeración del motor (Fig. 1). Es mejor si las mangueras entre el motor y el intercambiador de calor son lo más cortas posibles para que las pérdidas de calor y caudal sean mínimas. En muchas instalaciones, el intercambiador de calor del tanque se conecta simplemente en serie con el circuito de refrigerante del motor. En algunas instalaciones, se conecta en paralelo con un limitador/desviador de caudal.

Esquema de circuito principal

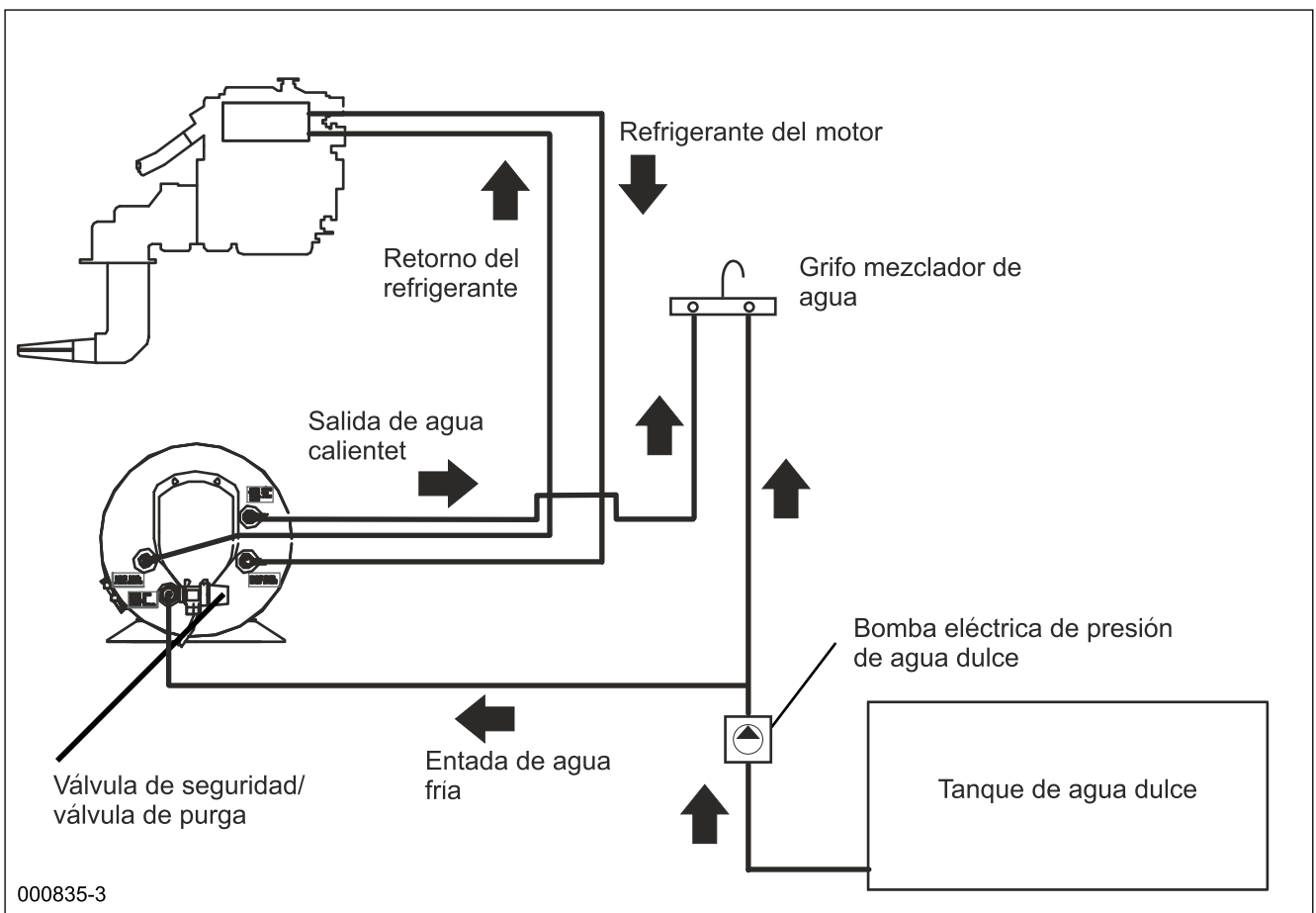


Fig. 1

3. Montaje

Los calentadores de agua Isotemp Basic, Slim y Slim están diseñados para proporcionar un resultado excelente tanto en posición horizontal como vertical. La válvula de desagüe / seguridad debe estar siempre en el punto más bajo. Los soportes de montaje pueden ajustarse en el costado de Basic o Slim para montar el tanque en un mamparo. Montar siempre el tanque en un estante o mamparo y **tener en cuenta que el peso del tanque aumenta cuando está lleno de agua.**

La elección depende de las recomendaciones específicas del fabricante del motor o del instalador. Consulte al fabricante o distribuidor de su motor para más recomendaciones sobre la conexión con el sistema de refrigerante del motor.

Si el tanque debe colocarse por encima del depósito de agua de refrigeración del motor, el circuito de la manguera de agua del motor debe tener una válvula de purga en el punto más alto. La válvula está disponible como equipo adicional.

Véanse las posiciones de montaje alternativas en la figura 2.

Slim Square puede colocarse en posición vertical u horizontal, o en las posiciones alternativas indicadas en la figura 7. La figura 3 muestra el Basic, la figura 4, el Basic con dos serpentines, la figura 5 muestra el Slim y la figura 6, las conexiones de la manguera de agua de Slim Square. Es preferible mantener un espacio libre de aproximadamente 30 cm delante del calentador de agua para medidas de mantenimiento futuras.

Isotemp Basic y Slim

Alternativas de montaje horizontal o vertical

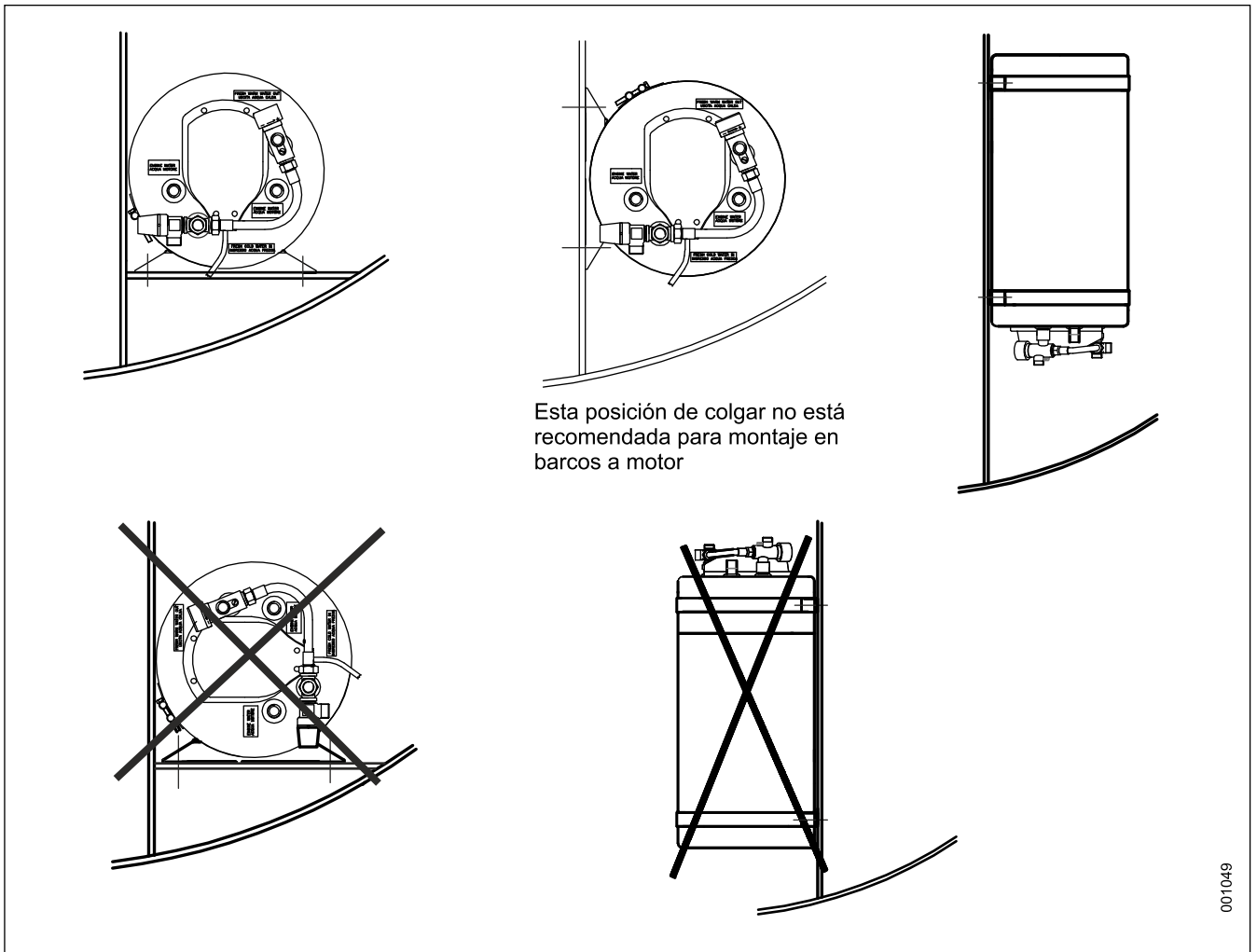


Fig. 2

Isotemp Basic, sin y con una válvula mezcladora de termostato

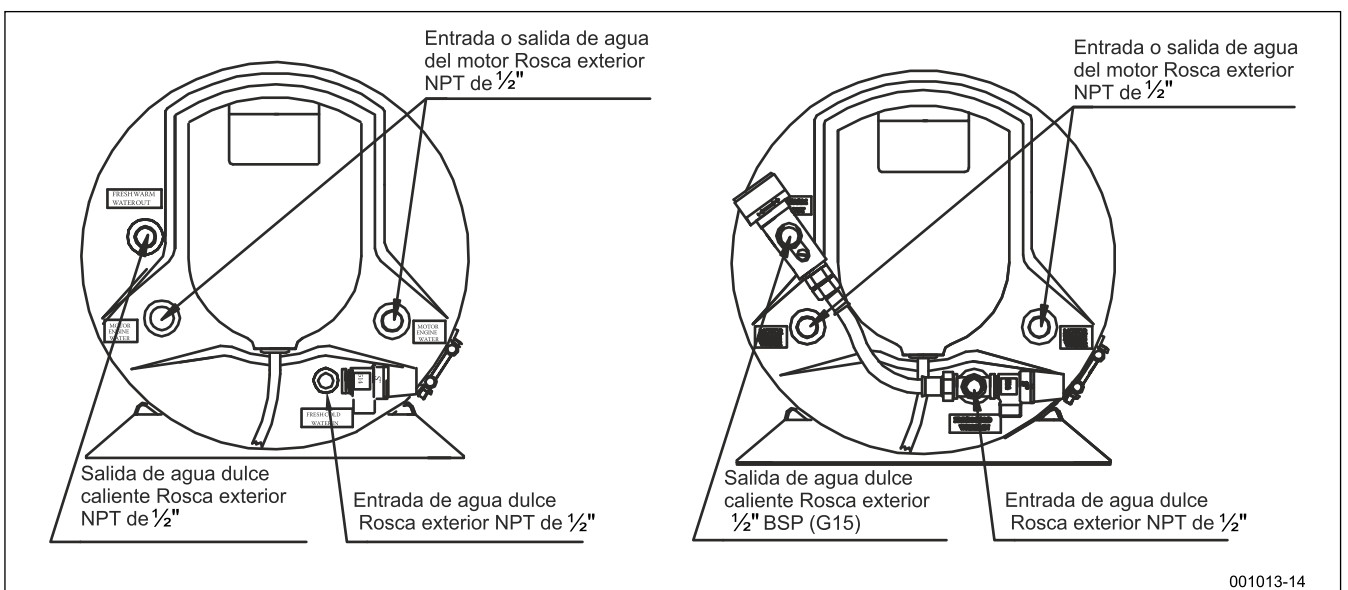


Fig. 3

Isotemp Basic con dos serpentines, sin y con válvula mezcladora de termostato

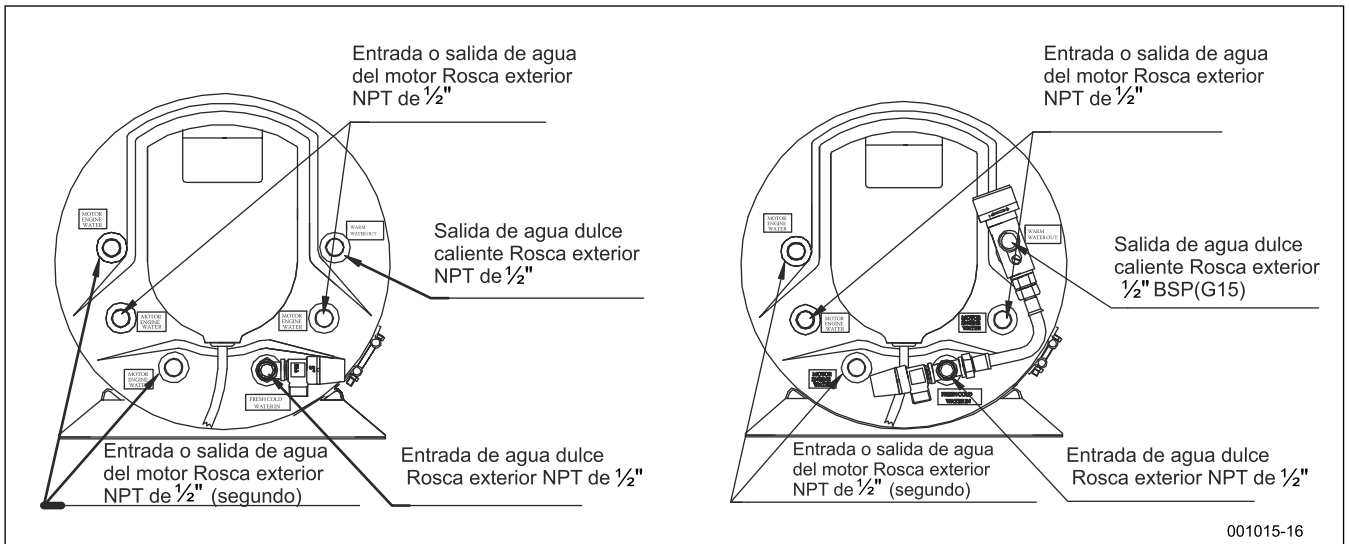


Fig.4

Isotemp Slim, sin y con válvula mezcladora de termostato

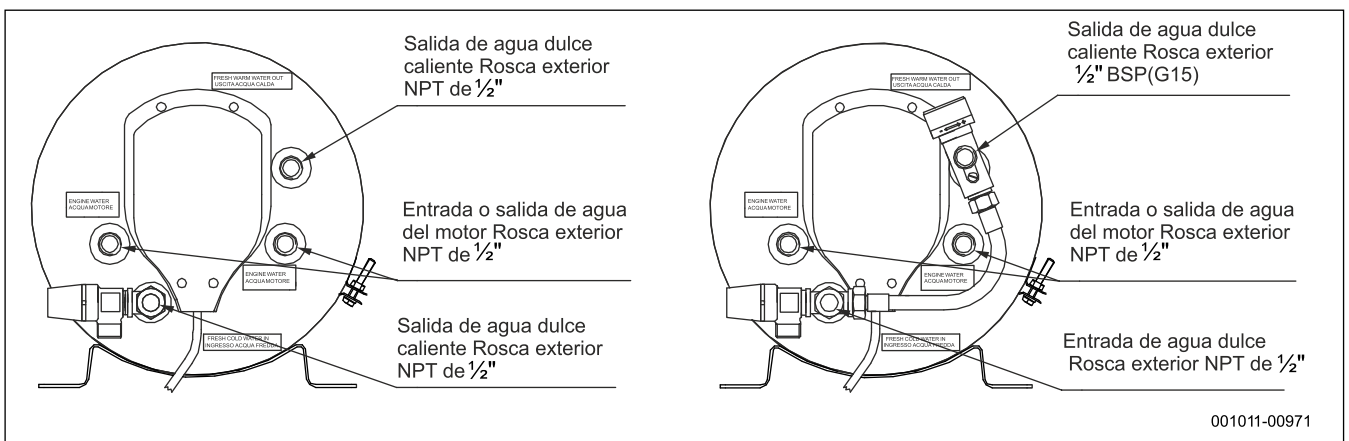


Fig. 5

Nota:

Los racores de manguera con roscas BSP rectas de 1/2" también son idóneos para roscas exteriores NPT de 1/2".

Slim Square, sin y con válvula mezcladora de termostato

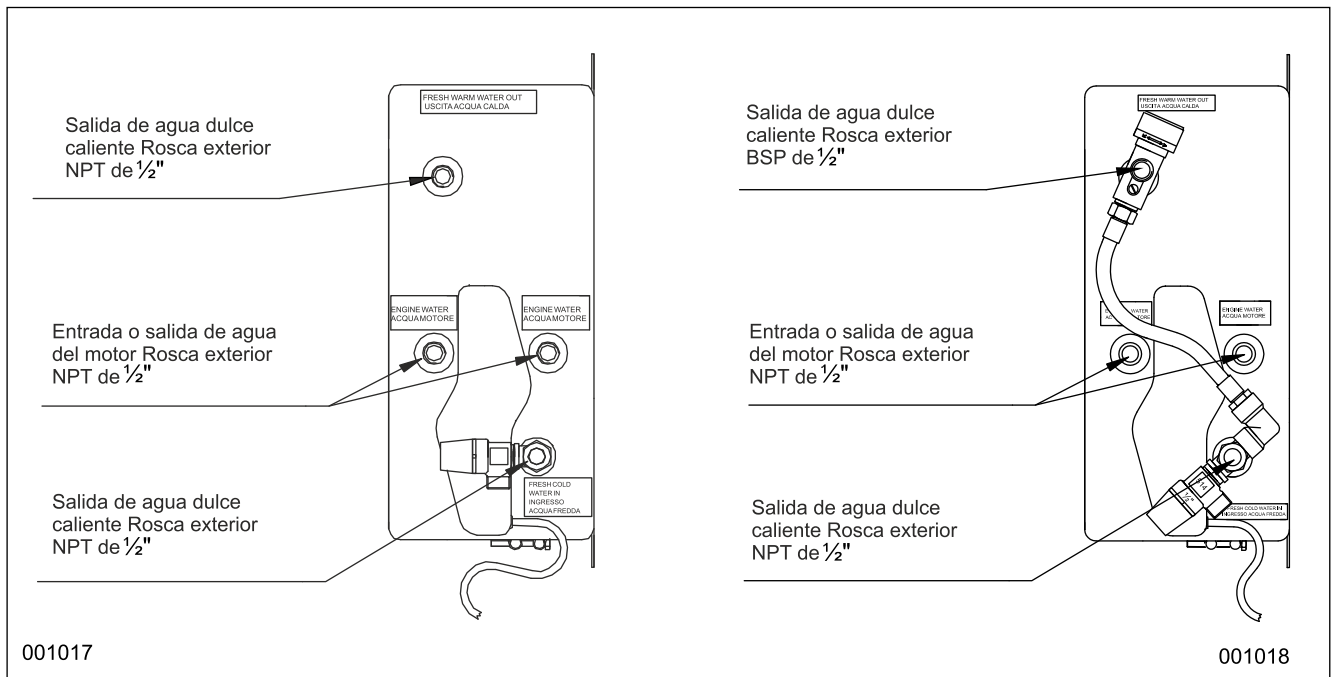


Fig. 6

Slim Square

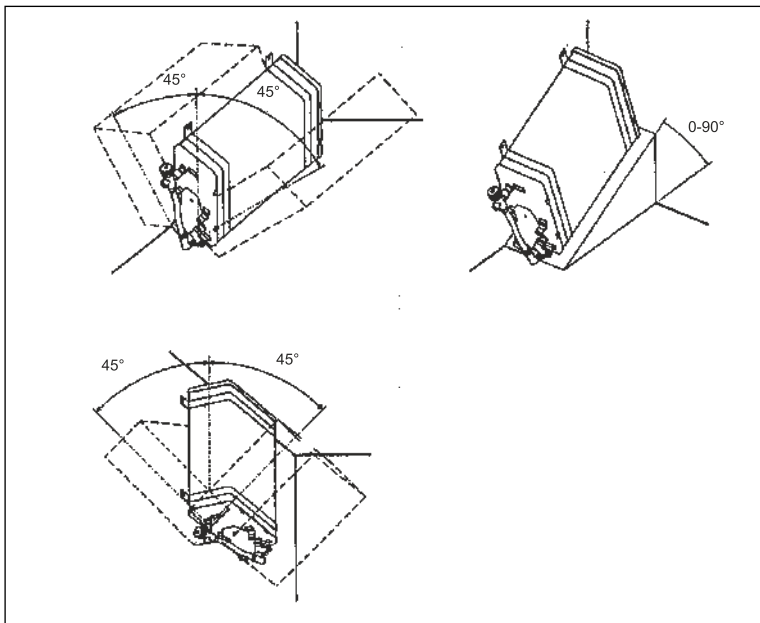


Fig. 7

Posiciones de montaje alternativas de Slim Square.

Recuerde: la válvula de seguridad siempre en la posición más baja.

4. Conexiones

4.1 Materiales: Usar exclusivamente accesorios de materiales no corrosivos como latón o acero inoxidable. Evitar los accesorios de plástico en el calentador de agua debido al calor, salvo que estén especialmente fabricados para este propósito. Esto es importante porque una fuga en esta zona puede ocasionar un sobrecalentamiento repentino del motor y chorros de agua muy caliente.

4.2 Mangueras: Para las conexiones del motor, utilizar mangueras de goma reforzadas y resistentes al calor

(100 °C), resistentes a los anticongelantes y aprobadas para una presión de 5 bar. Para el agua dulce, entrada fría y Fig. 7 salida caliente, utilizar mangueras de agua dulce resistentes al calor (calidad de industria alimentaria). Deben tener una capacidad de 8 bar. Sujetar las mangueras cuidadosamente con abrazaderas. Sellar las conexiones roscadas con Loctite 577 o Bondline T777, por ejemplo.

Los racores de manguera con rosca G de 1/2" (BSP de 1/2") son idóneos para los conectores en el calentador de agua.

4.3 Conexiones al motor (véase el esquema eléctrico, fig. 1):

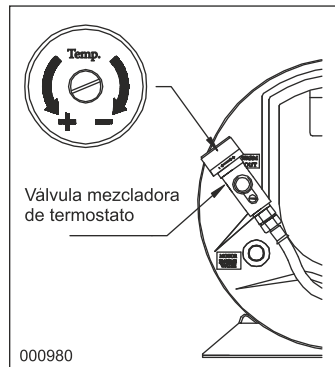
El calentador de agua puede utilizarse con motores enfriados por agua dulce. El caudal de agua de refrigeración desde el motor y a través del calentador de agua debe ser, como mínimo, de 2 litros/minuto. Si el barco tiene dos motores, conectar el calentador a uno de ellos. Si se instalan dos calentadores de agua, conectarlos en paralelo. La conexión al motor debe efectuarse con mangueras de 5/ 8" /16 mm como mínimo y adaptadores para evitar estrangulamientos. Para más información sobre los puntos de conexión de las mangueras, consultar las instrucciones en el manual de operación del motor.

Para la conexión a motores diesel pequeños de 10-15 CV puede ser necesario reducir el caudal a través del calentador para mantener la capacidad de refrigeración del motor.

4.4 Conexiones de agua dulce (véase el esquema eléctrico, fig. 1):

El calentador es alimentado con agua dulce desde la bomba eléctrica de presión en el sistema de agua. Presión de trabajo máx. para la bomba: 3,8 bar. Adviértase que la válvula de alivio de presión en el tanque está ajustada en 7,0 bar. La entrada de agua dulce se realiza en la válvula de seguridad. La salida de agua caliente, que también purga el aire del calentador, debe conectarse a un grifo mezclador en la salida del fregadero y/o del lavabo.

¡Aviso! ¡El agua caliente tiene la temperatura del motor, riesgo de quemaduras! Mezclar agua fría en los grifos. Si el calentador de agua está dotado de una válvula atemperadora (válvula mezcladora termostática), puede regularse una temperatura adecuada del agua caliente en la válvula atemperadora ajustable para evitar quemaduras. La temperatura puede regularse entre 38 y 65 °C.



La manguera de agua residual debe tener siempre una salida libre. No debe haber válvulas o adaptadores colocados en la manguera de agua residual. Esta manguera siempre debe tener una salida libre. Cuando se calienta el tanque, el agua se expande y puede salir una pequeña cantidad por el desagüe de la válvula de alivio de presión. Esto es normal e indica que el sistema funciona correctamente.

4.5 Conexiones eléctricas

Véase el esquema eléctrico, fig. 8

Todas las conexiones internas se realizan en la fábrica. El cable de alimentación eléctrica tiene un enchufe UE estándar que debe conectarse a una toma de corriente debidamente instalada. La instalación de esta toma de corriente, así como todas las instalaciones de "alta tensión" a bordo, deben ser efectuadas por un electricista autorizado para cumplir con las regulaciones de seguridad aplicables. El calentador de agua está diseñado para cumplir con las regulaciones a este respecto. La instalación del sistema de alimentación exterior a bordo debe incluir un interruptor accionado por corriente de pérdida a tierra.

Si se abandona el barco durante periodos prolongados, desconectar siempre el conector del cable de la toma de corriente. Esto debe efectuarse incluso si el sistema de alimentación exterior está desconectado, ya que puede existir una diferencia en el sistema eléctrico entre la tierra de protección y el agua circundante (= la tierra del barco). Esto puede dañar seriamente el calentador de agua o el elemento calentador.

La instalación de un transformador de aislamiento en el equipo de alimentación exterior elimina todo riesgo de corrosión galvánica a través de la conexión de alimentación exterior.

Desenchufar siempre el calentador y/o desactivar todos los disyuntores automáticos, y desconectar las conexiones de alimentación exterior antes de retirar la cubierta de las conexiones. El circuito eléctrico es controlado por un termostato de servicio ajustado a 75 °C y un protector contra recalentamiento doble que está ajustado a 96 °C. Si se dispara la protección contra recalentamiento, se la debe reponer de forma manual. Para ello, presionar el pequeño botón en la parte superior de la protección contra recalentamiento. Véase la sección 6:2.

Esquema eléctrico

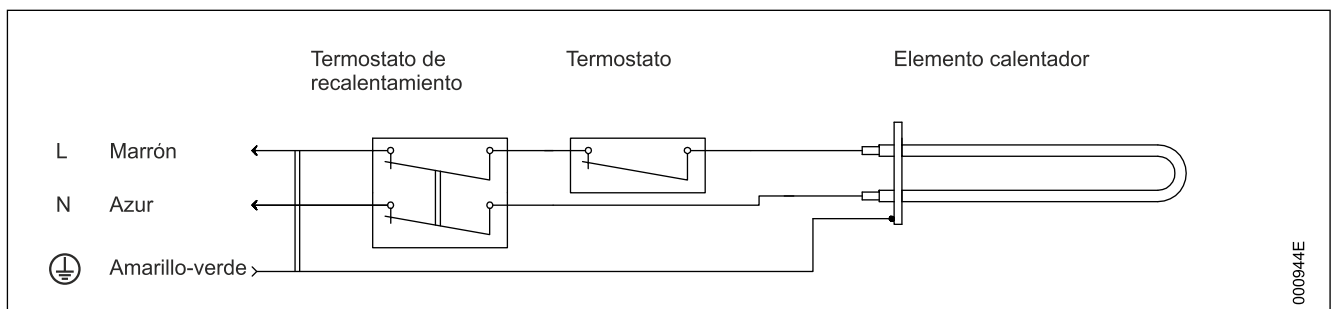


Fig. 8

5. Puesta en marcha/Prueba

Llenar el tanque de agua activando la bomba de presión de agua y abriendo una grifo de agua caliente para purgar el aire de las mangueras y / o la tubería. Controlar la válvula de desagüe y alivio de presión empujando la palanca. El agua saldrá por la manguera de desagüe. Asegurarse de que la manguera de desagüe no esté bloqueada ni cerrada. Volver a colocar la palanca en posición cerrada.

Arrancar el motor para controlar la circulación del refrigerante. Será necesario añadir refrigerante al sistema para compensar el volumen adicional del intercambiador y las mangueras. Controlar si hay bloqueos de aire en las mangueras de conexión, y subirlas y bajarlas lo necesario para eliminar el aire de las mangueras antes de asegurar éstas en su lugar. Por último, enchufar el tanque y activar el disyuntor automático. Comprobar que funcione correctamente.

6. Mantenimiento

6.1 Dispositivo de alivio de presión / Válvula de seguridad

El dispositivo de alivio de presión (válvula de seguridad) debe ser operado regularmente (figura 9) para eliminar los depósitos de cal y verificar que no esté bloqueado.

6.2 Desagüe invernal: Cuando exista el riesgo de congelamiento debe vaciarse el tanque.

Para ello, quitar la manguera de agua caliente o abrir el tornillo de purga de aire instalado en la válvula mezcladora, si la hay. Retirar completamente el tornillo de purga de aire y abrir la válvula de desagüe girando el botón negro en sentido contrario a las agujas del reloj un paso en la válvula de seguridad. La válvula se cierra nuevamente girando el botón un paso más en sentido contrario a las agujas del reloj.

Si el motor es enfriado con agua bruta, el intercambiador de calor también debe vaciarse quitando las mangueras y soplando aire en los serpentines para evacuar todo resto de agua. A continuación, puede dejarse el tanque con seguridad en el barco durante el invierno. Si se va a dejar el barco durante un período prolongado, se recomienda desconectar el cable de alimentación para eliminar el riesgo de corriente parásita de las conexiones a tierra de la alimentación exterior.

6.3 Cambio / reposición del termostato:

Aviso: ¡Asegurarse de desconectar primero la corriente!

El calentador eléctrico es de 230 V – 750 W. El equipo termostático tiene un termostato que funciona de forma integrada y un termostato de recalentamiento doble. Éste se repone de forma manual presionando la espiga en la parte superior del termostato.

(Véase la fig. 10). Controlar también por qué el termostato de recalentamiento se disparó inicialmente antes de reconectar la alimentación eléctrica.

¡Desconectar la corriente! Extraer el enchufe del cable. Retirar la cubierta de plástico delantera (Basic 2, Slim 4 tornillos y Square 3 tornillos).

Reponer el termostato de recalentamiento.

Cambio de termostatos: Extraer las pinzas de los cables después de tomar nota de sus posiciones. Los extremos del sensor de termostato están introducidos en un tubo en la brida de sujeción del elemento calentador. Retirarlos.

Aflojar los tornillos de fijación para los termostatos. Montar los nuevos termostatos en el orden opuesto. Asegurarse de introducir bien los extremos del sensor en el tubo.

Cuando se deje el barco por un período prolongado, se recomienda desconectar el enchufe del cable de alimentación eléctrica. Esto debe hacerse incluso si el sistema de alimentación exterior está desconectado, dado que puede existir una diferencia en el sistema eléctrico entre el conductor de tierra de protección y la tierra de agua salada del barco. Esto puede dañar seriamente el calentador de agua y/o el motor con el equipo de propulsión.

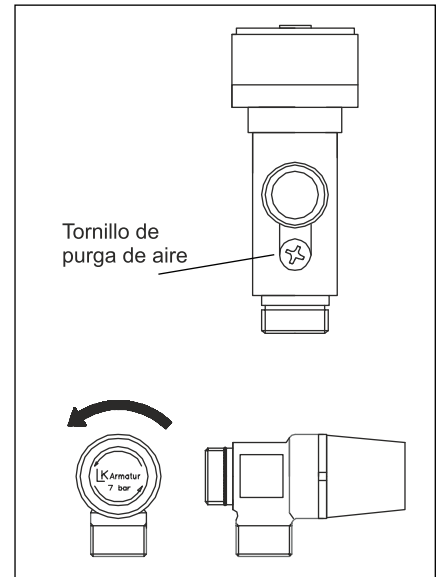


Fig. 9

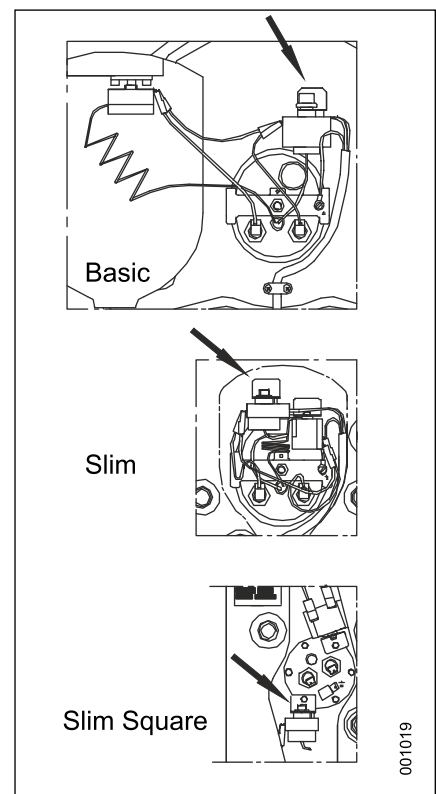


Fig. 10

6.4 Cambio del elemento calentador:

Aviso: ¡Asegurarse de desconectar primero la corriente!
Vaciar el agua del tanque.

Basic y Slim

Retirar la cubierta de plástico, aflojar los dos tornillos en los costados y empujar la cubierta hacia abajo. Retirar el termostato y el protector de recalentamiento de sus soportes para mejorar el acceso en el modelo Slim.

En el Basic pueden dejarse colocados durante el funcionamiento.

Retirar los alambres de las pestañas de los elementos calentadores.

Aflojar la tuerca central, fig. 11-A, y retirar el soporte, fig. 11-B.

Volver a colocar la tuerca en el tornillo central para un manejo más sencillo, más fácil de agarrar con la mano. Empujar hacia dentro la brida de montaje y la junta de goma, las mismas saldrán junto con la unidad del elemento calentador. Girar la unidad del elemento calentador 90° hacia la izquierda, las pestañas del alambre deben apuntar hacia la derecha.

Girar la unidad hasta que el extremo interior toque el tanque a la izquierda. Extraer la unidad del elemento calentador a través del orificio empezando por el lado izquierdo.

Aflojar el elemento calentador de la brida de montaje. Montar el nuevo elemento calentador con nuevos aros de estanqueidad y una nueva junta de goma grande en el orden inverso al indicado anteriormente. El extremo interior del elemento calentador debe apuntar ligeramente hacia abajo después del montaje.

Slim Square

La unidad del elemento calentador en el modelo Square está fijada con seis tornillos en una brida que está fijada en el tanque.

Tiene una junta de goma. Véase la fig. 11

Primero, extraer los cables metálicos de las pestañas de los elementos térmicos. Aflojar los seis tornillos, a continuación la unidad del elemento calentador incluyendo la brida pueden tirarse hacia fuera. Prestar atención a la posición de la brida. El elemento calentador está fijo en la brida con tuercas. Desatornillar el elemento calentador de la brida de montaje. Montar el nuevo elemento calentador con nuevos aros de estanqueidad y una nueva junta de goma grande en la misma posición que antes.

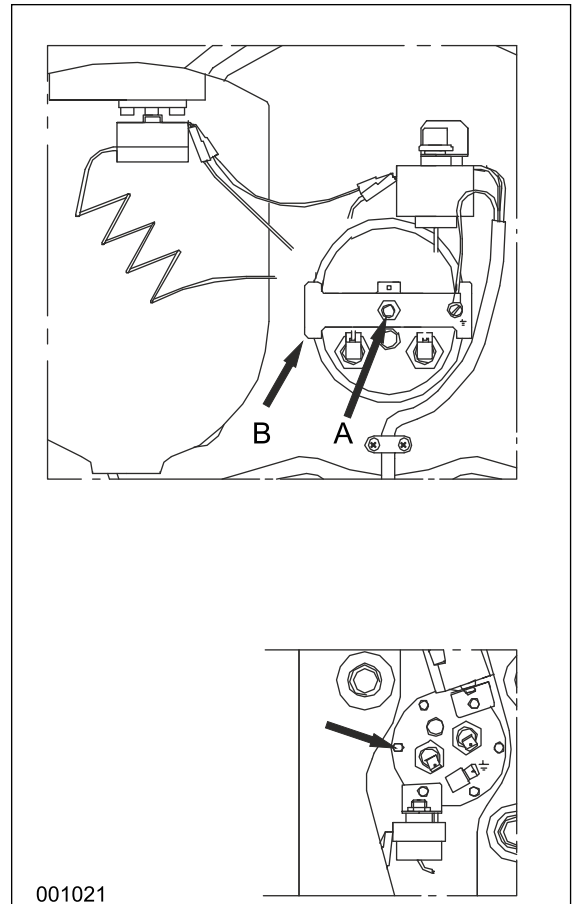


Fig. 11

7. Intercambiador de calor doble, Basic 40 y 75 litros.

Los calentadores de agua con intercambiador de calor doble también tienen las conexiones para el segundo intercambiador ubicadas en el frente, junto a las conexiones del intercambiador de calor estándar.

Véase la fig. 4

El cambio del elemento calentador se realiza de la misma manera que se describió anteriormente.

8. Especificaciones técnicas

8.1 Basic

Tipo	Volumen en litros	Peso en kg	Elemento calentador	Opciones de elementos calentadores	Válvula mezcladora de termostato
602431B000000	24	12.5	230V~ 750W	115V~ 750W	-
602431B000003	24	12.5	230V~ 750W	115V~ 750W	X
602431BD000000 (Dos serpentines)	24	13	230V~ 750W	115V~ 750W	-
602431BD000003 (Dos serpentines)	24	13	230V~ 750W	115V~ 750W	X
603031B000000	30	13.5	230V~ 750W	115V~ 750W	-
603031B000003	30	13.5	230V~ 750W	115V~ 750W	X
604031B000000	40	15.5	230V~ 750W	115V~ 750W 115V~ 1200W * 230V~ 1200W *	-
604031B000003	40	15.5	230V~ 750W	115V~ 750W 115V~ 1200W * 230V~ 1200W *	X
604031BD000000 (Dos serpentines)	40	16	230V~ 750W	115V~ 750W 115V~ 1200W * 230V~ 1200W *	-
604031BD000003 (Dos serpentines)	40	16	230V~ 750W	115V~ 750W 115V~ 1200W * 230V~ 1200W *	X
605031B000000	50	17	230V~ 750W	115V~ 750W 115V~ 1200W * 230V~ 1200W * 230V~ 2000W *	-
605031B000003	50	17	230V~ 750W	115V~ 750W 115V~ 1200W * 230V~ 1200W * 230V~ 2000W *	X
607531B000000	75	24.5	230V~ 750W	115V~ 750W 115V~ 1200W * 230V~ 1200W * 230V~ 2000W *	-
607531B000003	75	24.5	230V~ 750W	115V~ 750W 115V~ 1200W * 230V~ 1200W * 230V~ 2000W *	X
607531BD000000 (Dos serpentines)	75	25	230V~ 750W	115V~ 750W 115V~ 1200W * 230V~ 1200W * 230V~ 2000W *	-
607531BD000003 (Dos serpentines)	75	25	230V~ 750W	115V~ 750W 115V~ 1200W * 230V~ 1200W * 230V~ 2000W *	X

* - El elemento calentador de 1200/2000 W es aplicable únicamente en posición horizontal del equipo!

Dimensiones: Véase la fig. 12a, 12b
 Material: Serpentin del intercambiador de calor, tanque de almacenamiento y conexiones: acero inoxidable AISI 316
 Cubierta exterior y soportes de montaje: Acero inoxidable AISI 304
 Elemento calentador: Cobre niquelado
 Aislamiento: Poliuretano
 Válvula de seguridad: 7 bar

Dimensiones Basic 24, 30, 40

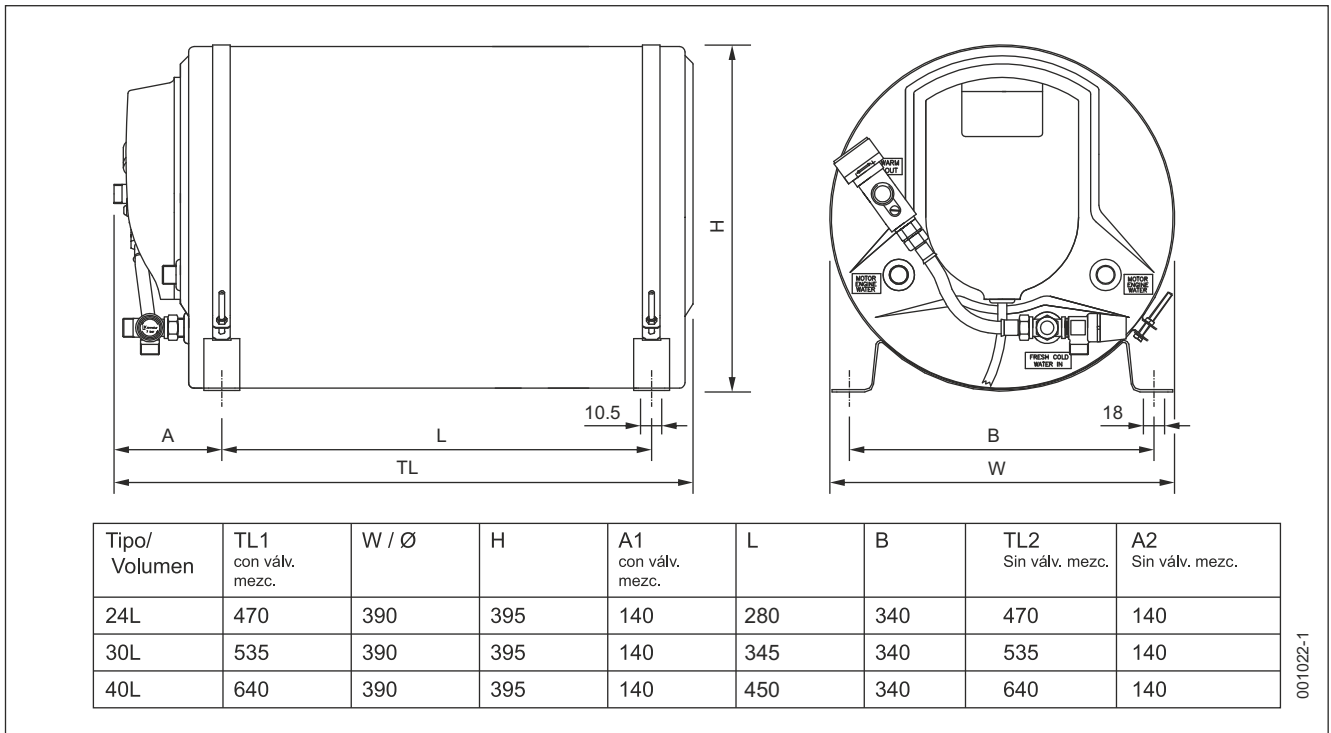


Fig. 12a

Dimensiones Basic 50, 75

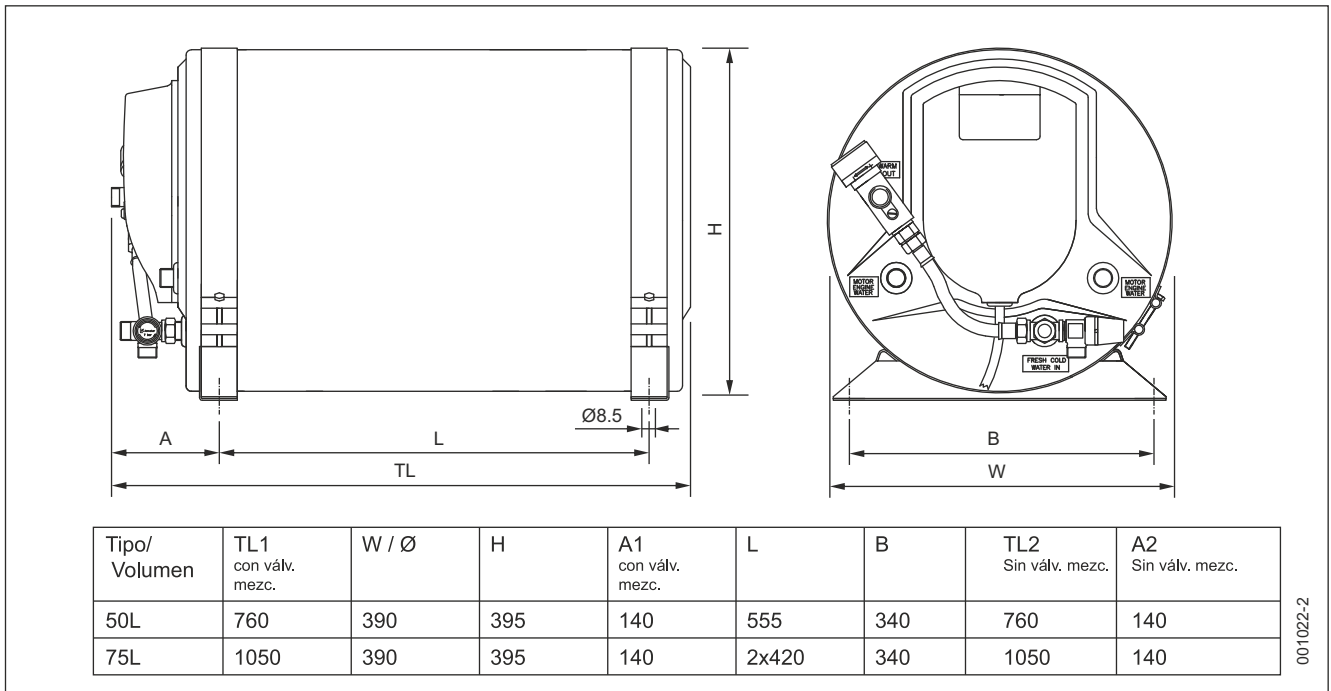


Fig. 12b

8.2 Slim

Tipo	Volumen en litros	Peso en kg	Elemento calentador	Opciones de elementos calentadores	Válvula mezcladora de termostato
601531S000000	15	9	230V~ 750W	115V~ 750W	-
601531S000003	15	9	230V~ 750W	115V~ 750W	X
602031S000000	20	10.5	230V~ 750W	115V~ 750W 115V~ 1200W * 230V~ 1200W *	-
602031S000003	20	10.5	230V~ 750W	115V~ 750W 115V~ 1200W * 230V~ 1200W *	X
602531S000000	25	12	230V~ 750W	115V~ 750W 115V~ 1200W * 230V~ 1200W * 230V~ 2000W *	-
602531S000003	25	12	230V~ 750W	115V~ 750W 115V~ 1200W * 230V~ 1200W * 230V~ 2000W *	X

* - El elemento calentador de 1200/2000 W es aplicable únicamente en posición horizontal del equipo!

Dimensiones: Véase la fig. 13
 Material: Serpentin del intercambiador de calor, tanque de almacenamiento y conexiones: acero inoxidable AISI 316
 Cubierta exterior y soportes de montaje: Acero inoxidable AISI 304
 Elemento calentador: Cobre niquelado
 Aislamiento: Poliuretano
 Válvula de seguridad: 7 bar

Dimensiones Slim

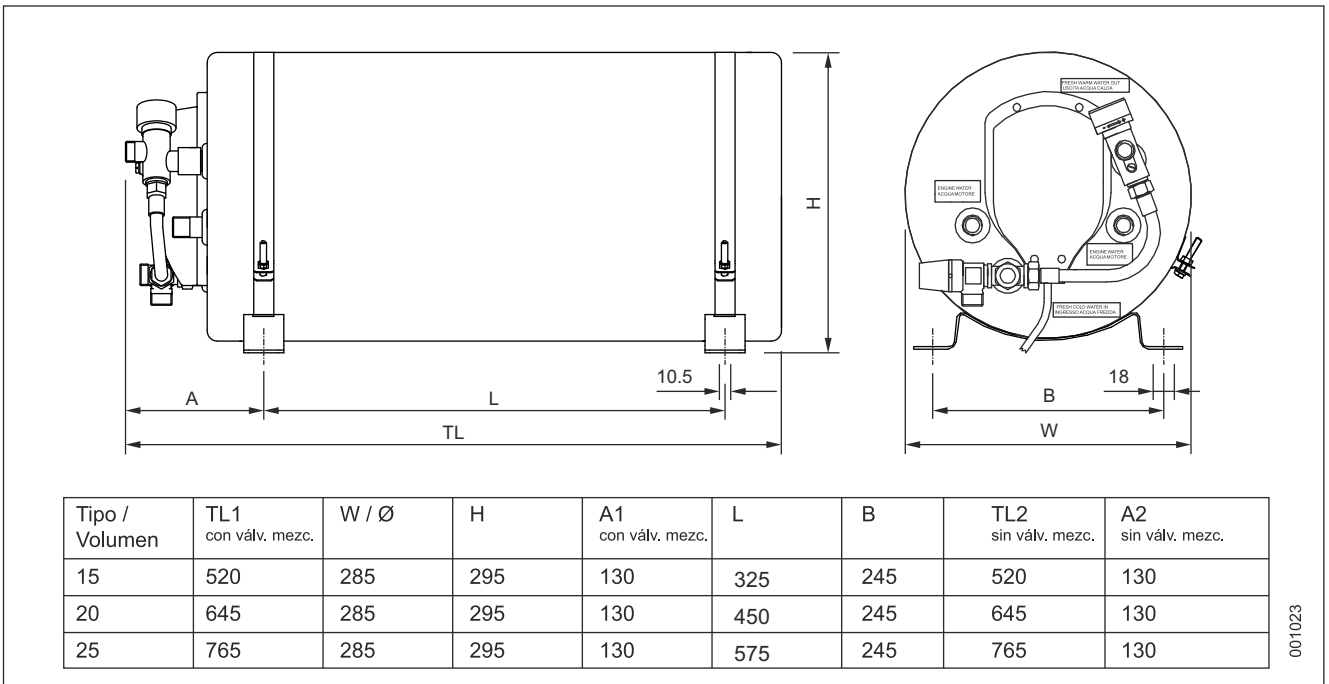


Fig. 13

8.3 Slim Square

Tipo	Volumen en litros.	Peso en kg	Elemento calentador	Opciones de elementos calentadores	Válvula mezcladora de termostato
601631Q000000	16	15.5	230V~ 750W	115V~ 750W	-
601631Q000003	16	15.5	230V~ 750W	115V~ 750W	X

Dimensiones: Véase la fig. 14
 Material: Serpentin del intercambiador de calor, tanque de almacenamiento y conexiones: acero inoxidable AISI 316
 abierta exterior y soportes de montaje: Acero inoxidable AISI 304. Laterales exteriores de plástico.
 Elemento calentador: Cobre niquelado
 Aislamiento: Poliuretano
 Válvula de seguridad: 5 bar

Dimensiones Slim Square

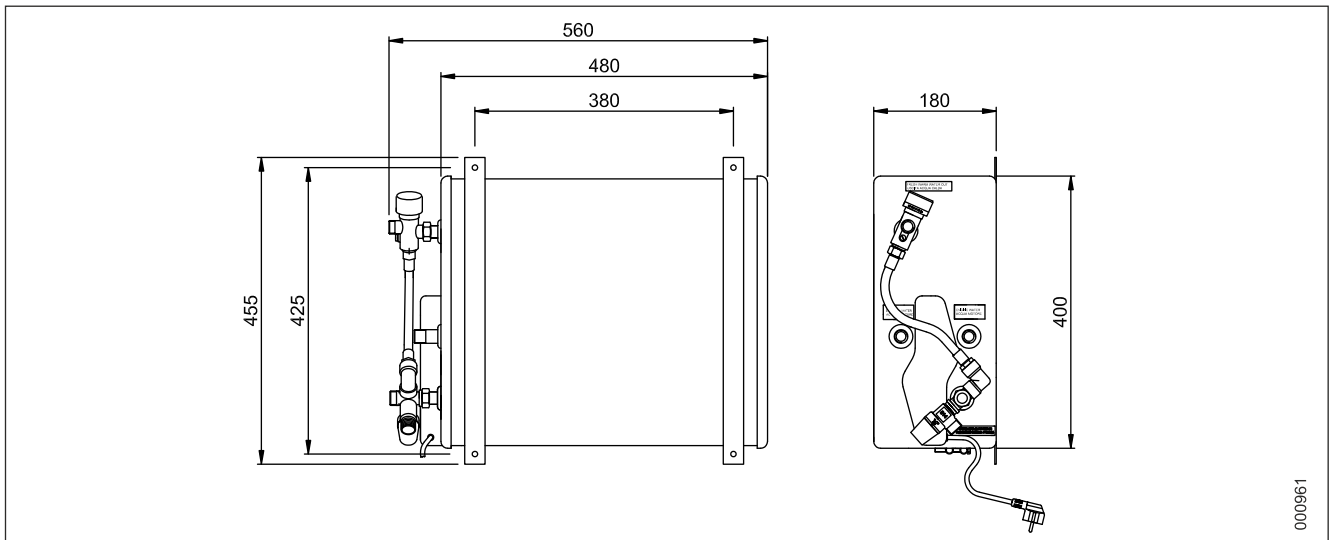


Fig. 14

En caso de necesidad y en situaciones litigiosas, relacionadas con la traducción y las nociones en esta versión de la instrucción de montaje, considerar la versión inglesa como original a la que hay que dar prioridad.

9. Garantía de Indel Webasto Marine

La garantía asegurada por Indel Webasto Marine es conforme a la Directiva 2019/771

9.1 Período de validez

La garantía para todos los calentadores de agua Isotemp es de 2 años en lo que se refiere a los costos de mano de obra, reparación y reemplazo, pero solo si los mismos se efectúan en los puntos de servicio (talleres) autorizados de la red IWM. 5 años es la validez de la garantía por fugas del depósito interno o la bobina de intercambio de calor (los gastos de mano de obra quedan excluidos después de los 2 primeros años).

La garantía es válida solo para calentadores de agua instalados en botes y no es válida para calentadores de agua instalados en vehículos recreativos (RV) u otras instalaciones que no sean marinas.

El período de validez comienza a partir de:

- a) La fecha de venta del producto indicada en el recibo o en la factura.
- b) La fecha de venta indicada en la factura o el registro de la primera venta del bote en el que se instaló el producto, si la instalación se había hecho por el productor de la embarcación.
- c) Si ninguno de los anteriores está disponible, la validez comienza en el año y la semana de producción indicada en el S/N (número de serie) en la etiqueta del producto.

El reemplazo de un producto o componente no modificará el período de validez.

9.2 La garantía cubre:

- Reemplazo o reparación del producto o uno o más componentes reconocidos como defectos por fallas en la producción.
- Rotura o disfunción de los componentes dentro de la validez de la garantía, a pesar de la instalación correcta y el uso correcto comprobados.
- Trabajo y viajes en base a los Procedimientos de Operación en este documento.
- Gastos de envío del producto en el reemplazo (excepto los gastos para el despacho de aduana).

9.3 La garantía no cubre defectos o daños causados por:

- negligencia o descuido o mal uso
- instalación incorrecta o manejo sin precaución
- conexiones eléctricas incorrectas
- cables de tamaño insuficiente
- mantenimiento incorrecto o mantenimiento efectuado por personal no autorizado
- falta de observación de las instrucciones indicadas en el manual del usuario
- daños en el transporte
- productos instalados en otros lugares, distintos de un bote
- fugas de agua de calentadores de agua en las que se ha utilizado no agua pura o agua dulce o agua con alta conductividad eléctrica o alto contenido de sal.
- gastos de despacho de aduana
- uso profesional
- daños causados por la intemperie
- gastos de desmontaje y/o montaje de muebles u otras estructuras

9.4 Información necesaria para establecer si un caso concreto está cubierto por la garantía:

- Número de producto (Type) (escrito en la etiqueta del producto)
- S/N (número de serie) (escrito en la etiqueta del producto)
- Factura, recibo o documento de registro (vea el punto sobre validez)
- Tipo de bote
- Descripción detallada del defecto. (Si es posible adjuntar imágenes)
- Descripción de la instalación. (Si es posible adjuntar imágenes)

(En caso de que se establezca que el caso no está cubierto por la garantía, el cliente debe pagar por eventuales reparaciones, reemplazos, mano de obra, viajes y transporte. IWM no está obligado a cubrir todos los gastos).

9.5 Procedimientos de actuación para aplicar una vez establecido que el caso concreto está cubierto por la garantía:

El servicio de garantía solo debe ser realizado por talleres contratados por IWM (consulte la lista en www.indelwebastomarine.com).

IWM no cubre los gastos de mantenimiento realizado por personas ajenas.

El técnico en el taller de servicio autorizado por IWM sube a bordo si el bote está situado a un máximo de 100 km del punto de servicio. IWM cubre el gasto de dicho viaje. Si la embarcación está a más de 100 Km del punto de servicio, el propietario de la embarcación puede elegir entre pagarle al técnico por el viaje (pagar directamente al técnico) o acercar la embarcación.

IWM no reembolsa ningún dinero por piezas de repuesto compradas en otro lugar que no sea de IWM o de un distribuidor oficial de IWM.

Inhoudsopgave

1. Veiligheidsvoorschriften
2. Plaatsing reservoir
3. Montage
4. Aansluitingen
 - 4.1 Aansluitnippels
 - 4.2 Slangen
 - 4.3 Aansluiting op motor
 - 4.4 Tapwatersysteem
 - 4.5 Elektrische aansluiting
5. Inbedrijfstelling/testen
6. Onderhoud
 - 6.1 Drukbeperkingsvoorziening / veiligheidsgroep
 - 6.2 Wintervoorbereiding
 - 6.3 Thermostaat vervangen
 - 6.4 Verwarmingselement vervangen
7. Dubbele koelwatercircuits
8. Technische gegevens
 - 8.1 Basic
 - 8.2 Slim
 - 8.3 Slim Square
9. Garantie

1. Veiligheidsvoorschriften

Deze gebruiksaanwijzing geldt als richtsnoer voor een veilig gebruik van deze boiler.

De gebruiksaanwijzing bevat informatie over gebruik en onderhoud.

Neem de gebruiksaanwijzing zorgvuldig door, zodat u het product leert kennen en bewaar de gebruiksaanwijzing daarna op een geschikte plaats aan boord van het vaartuig.

Het is van belang dat de boiler op correcte wijze wordt gemonteerd en gebruikt. Gedurende de winterperiode wanneer de boiler niet wordt gebruikt, moet het leidingwater in de boiler worden afgetapt om bevriezing van het reservoir en kranen te voorkomen.

Alle boilers worden tijdens productie vóór aflevering getest en hebben twee jaar fabrieksgarantie voor onjuistheden wat betreft materiaal en/of fabricage.

Indel Marine S.r.l. kan niet aansprakelijk worden gesteld voor schade aan het product of voor persoonlijk letsel tijdens installatie of door onjuist gebruik.



Gevaarlijk!

Alle 230 V elektrische werkzaamheden aan boord van het vaartuig dienen te worden verricht door hiertoe bevoegd personeel.

De boiler moet op een beschermend massapunt te worden aangesloten.



Gevaarlijk!

Gebruik altijd correct gedimensioneerde kabels, veiligheidsuitrusting en aardlekschakelaars.



Waarschuwing!

Als de voedingskabel beschadigd is, moet deze worden vervangen door de fabrikant, zijn onderhoudsvertegenwoordiger of iemand met vergelijkbare kwalificaties om gevaar te voorkomen.



Waarschuwing!

Sluit het verwarmingselement van de boiler niet op het stroomnet aan voordat de boiler met water is gevuld.



Waarschuwing!

Gebruik allen zuiver en drinkwater met zoutgehalte (chloriden) lager dan 50 mg/lit en de elektrische geleidbaarheid lager dan 200 μ S/cm. Dit is een voorwaarde voor de geldigheid van de garantie, want wanneer aan het vereiste wordt niet voldaan, kan het roestvrij staal beschadigd worden.



Waarschuwing!

Het water in de boiler wordt net zo warm als de motor, denk aan het risico voor verbranding.

Opgelet!

Hoofdstuk 4.5 over corrosiegevaar in verband met aansluiting op landstroom moet zorgvuldig worden bestudeerd.

Opgelet!

Volg de aanbevelingen van de fabrikant wat betreft de aansluiting van de boiler op het motorkoelsysteem.

Opgelet!

Bij gevaar van bevriezing zie Hoofdstuk 6.2.



Waarschuwing!

Dit toestel kan worden gebruikt door kinderen vanaf 8 jaar en mensen met fysieke, zintuigelijke of mentale beperkingen of met onvoldoende ervaring en kennis als ze begeleiding en instructie krijgen hoe het toestel veilig te gebruiken en de ervan verbonden gevaren begrijpen. Kinderen mogen niet met het toestel spelen. Kinderen mogen niet schoonmaken of gebruikers onderhoud zonder toezicht verrichten.

Milieu:

Dit product is gemerkt volgens EU richtlijn 2012/19/EU aangaande elektrisch en elektronisch afval (Waste Electrical and Electronic Equipment, WEEE).

Door een correcte verschroming van dit product te waarborgen, worden potentiële negatieve gevolgen voor het milieu en onze gezondheid voorkomen, welke anders het gevolg zouden kunnen zijn in het product niet op de juiste manier wordt gehanteerd.

Het symbool  op het product, of in de bijgevoegde documentatie, geeft aan dat dit product niet als gewoon huisvuil mag worden behandeld. Het moet voor recycling van elektrische en elektronische uitrusting bij een geschikt milieustation worden ingeleverd. Het product moet worden verschromd volgens de plaatselijke milieubepalingen voor afvalverwerking.

Voor meer informatie over verwerking, recycling en hergebruik van dit product dient u contact op te nemen met de plaatselijke overheid, de gemeentelijke afvalcentrale of het bedrijf waar u het product heeft gekocht.

2. Plaatsing van de boiler

Deze boiler kan op elke willekeurige plaats in het vaartuig worden gemonteerd onder voorwaarde dat het koelwatercircuit niet boven het niveau van het expansievat van het motorkoelsysteem belandt. (Fig. 1). Het wordt aanbevolen om de slangen tussen motor en boiler zo kort mogelijk te houden met het oog op het warmteverlies en voor een zo gering mogelijk doorstroomweerstand.

De warmtewisselaar van de boiler kan parallel, of in serie op het koelwatersysteem van de motor worden aangesloten.

De keus wordt bepaald door de manier waarop de fabrikant van de motor aangeeft dat de boiler moet worden aangesloten.

Raadpleeg de motorfabrikant of een vertegenwoordiger ervan voor aanbevelingen aangaande montage en aansluiting van koelwaterslangen naar motor en boiler. Indien de boiler om de één of andere reden hoger dan het expansievat van de motor moet worden geplaatst, moeten de koelwaterslangen van de motor worden uitgerust met een ontluichtingsnippel op het hoogste punt, zodat het systeem op effectieve wijze kan worden ontluicht. Deze uitrusting is verkrijgbaar als accessoire.

Aansluitschema

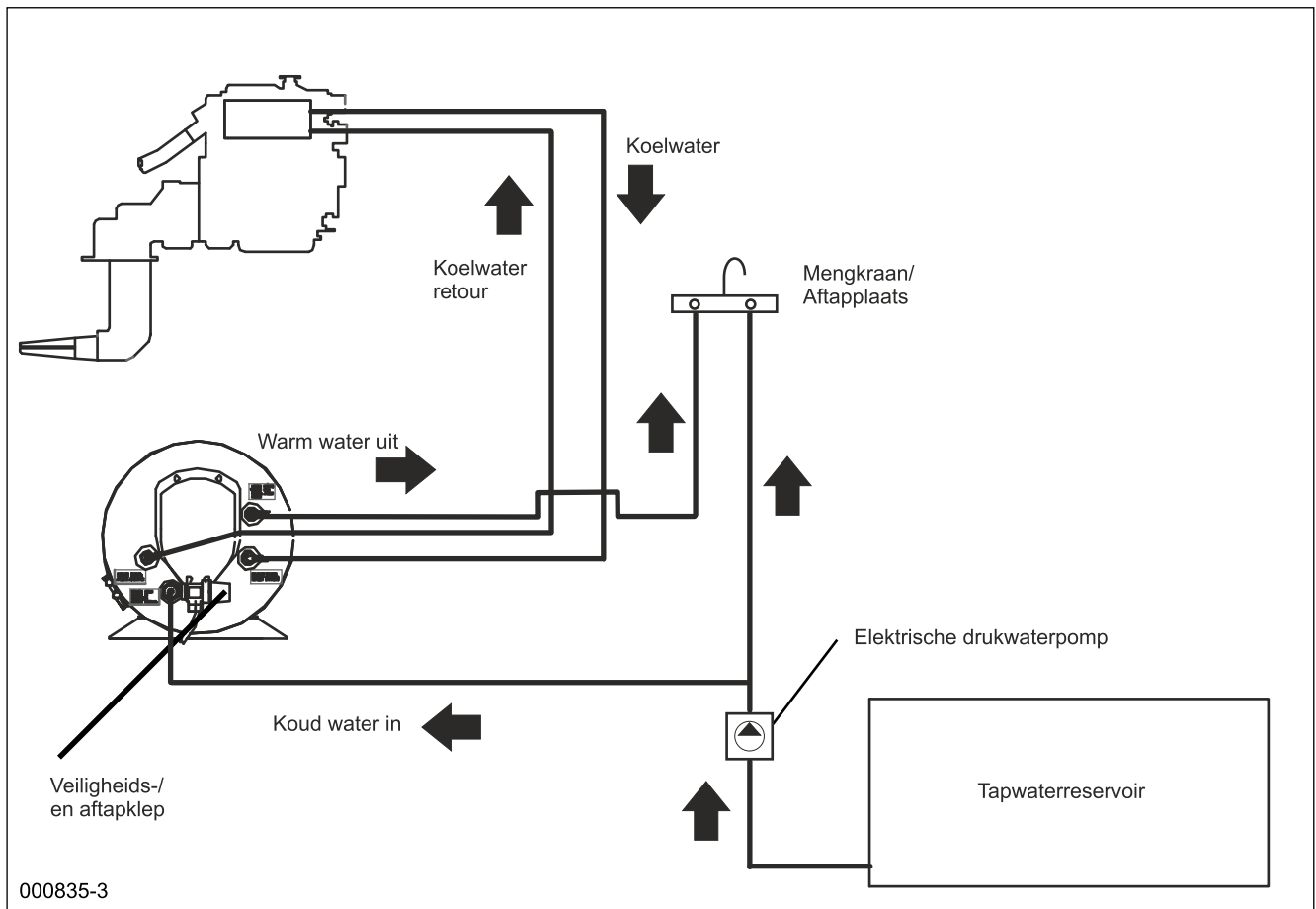


Fig. 1

3. Montage

Isotemp Basic, Slim & Slim Square zijn zodanig ontworpen dat ze horizontaal of verticaal op stevige bevestigingsvoeten kunnen worden gemonteerd. Ze dienen altijd zodanig te worden gemonteerd dat ze naar beneden zijn gericht zodat de inhoud van de boiler kan worden afgetapt. Bij de Basic en de Slim kunnen de voetjes rond de boiler worden gedraaid, zodat ze ook op een wand kunnen worden gemonteerd. De boiler moet altijd zodanig worden gemonteerd dat de veiligheidsklep met aftapfunctie altijd als laagste punt op de boiler zit.

Houd er rekening mee dat het gewicht van de boiler toeneemt wanneer deze met water wordt gevuld.

Monteer de tapwaterboiler zodanig dat er vóór of onder de boiler voldoende plaats is voor servicewerkzaamheden zoals het vervangen van het elektrische verwarmingselement, thermostaten etc. Zie fig. 2.

De Slim Square kan rechtop staan, liggen of in alle mogelijke standen worden gedraaid, zoals wordt getoond in fig. 7.

Fig. 3 toont de wateraansluitingen van de Basic, fig. 4 de Basic met dubbele circuits, fig. 5 de Slim en fig. 6 de Slim Square.

Minimaal 30 cm vrije ruimte vóór/onder de boiler is gewenst ter vereenvoudiging van service en onderhoud.

Isotemp Basic & Slim

Montagealternatief, horizontaal of verticaal

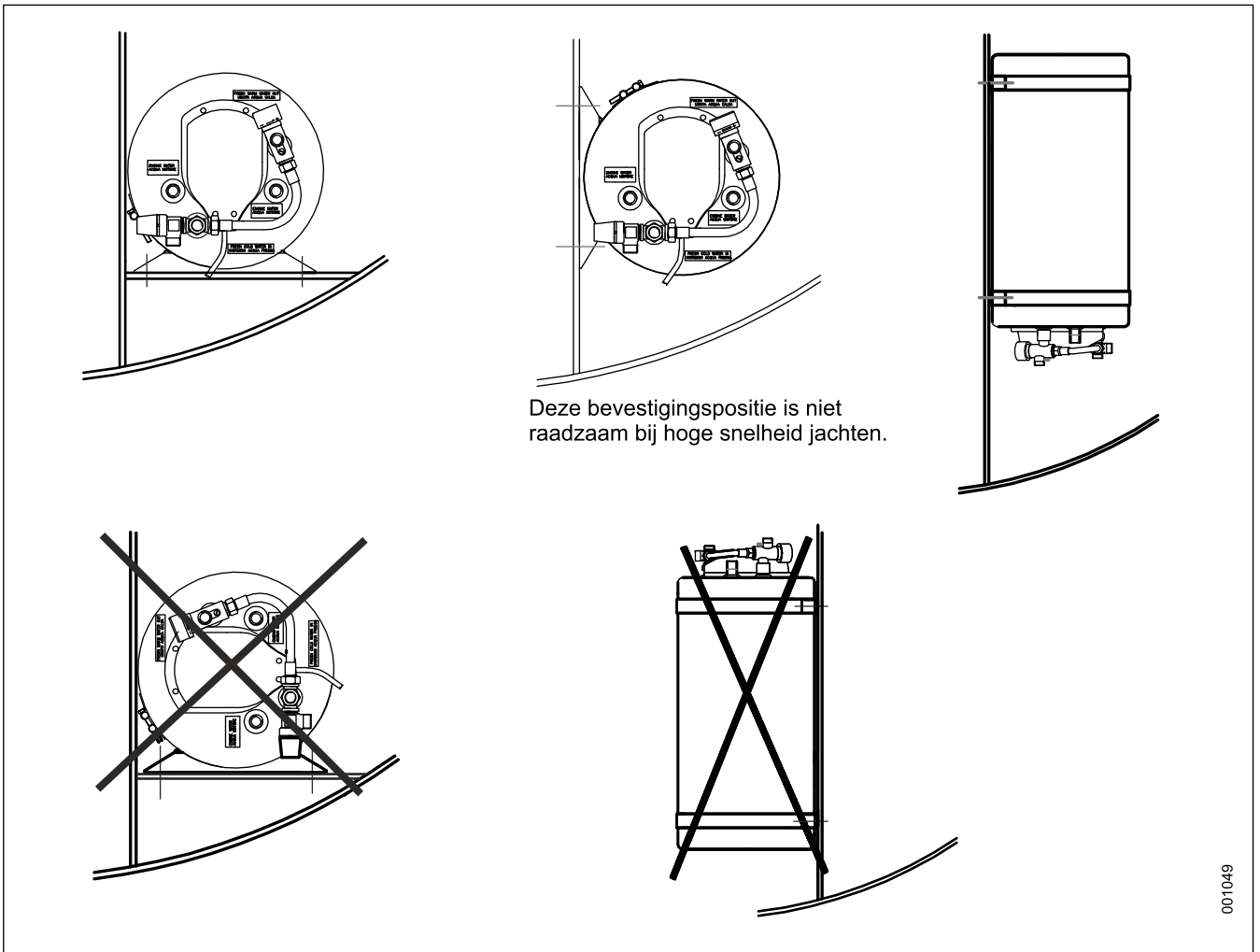


Fig. 2

Isotemp Basic met en zonder thermostaatkraan

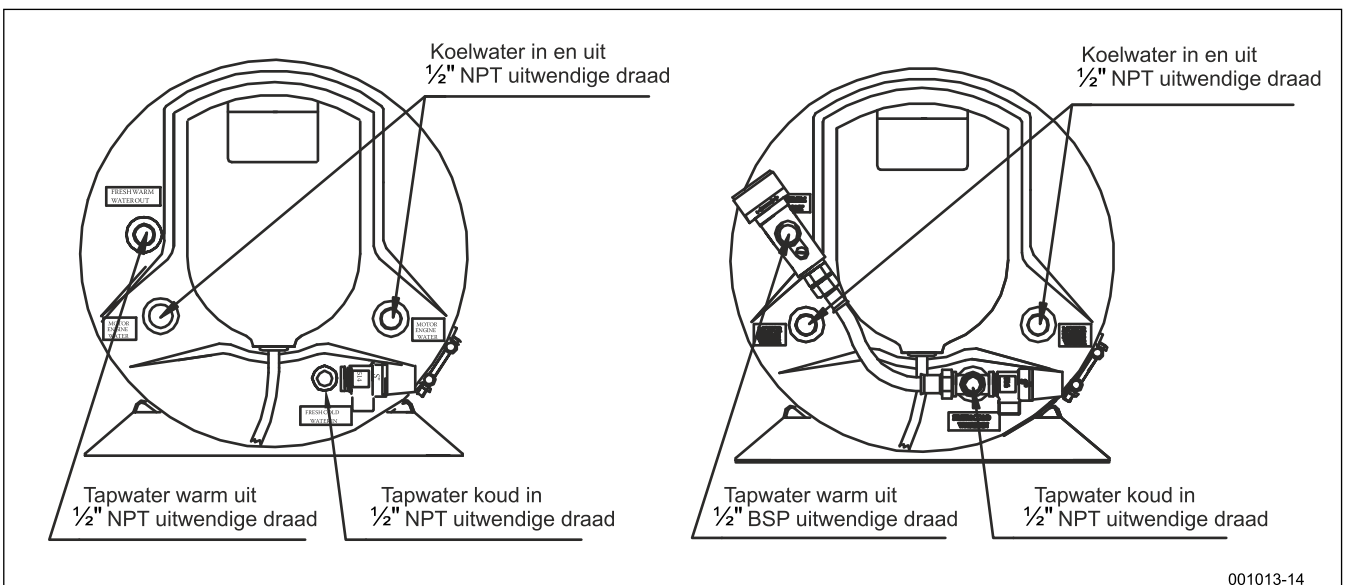


Fig. 3

Isotemp Basic met dubbele koelwatercircuits, zonder en met mengthermostaat

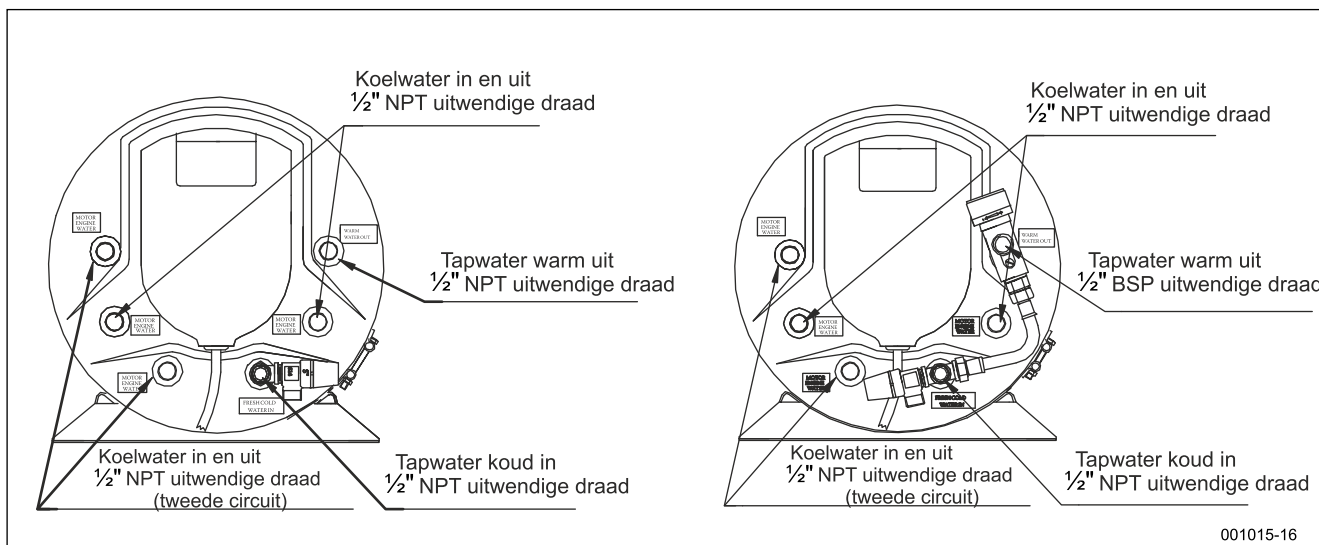


Fig.4

Isotemp Slim zonder en met mengthermostaat

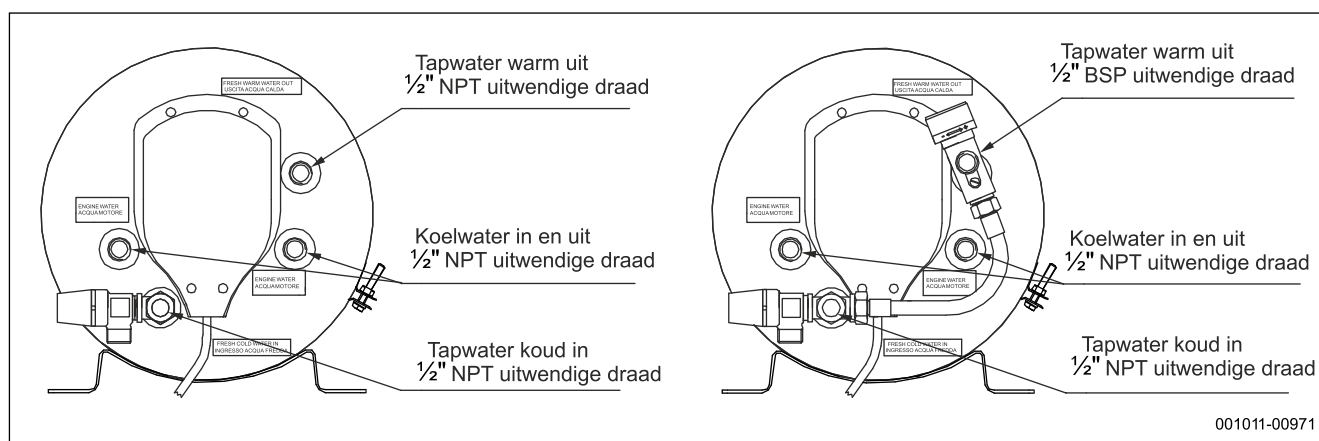


Fig. 5

Opmerking:

Slangnippels met parallelle G15 draad (1/2" BSP) passen ook op uitwendige 1/2" NPT conische draad.

Slim Square zonder en met mengthermostaat

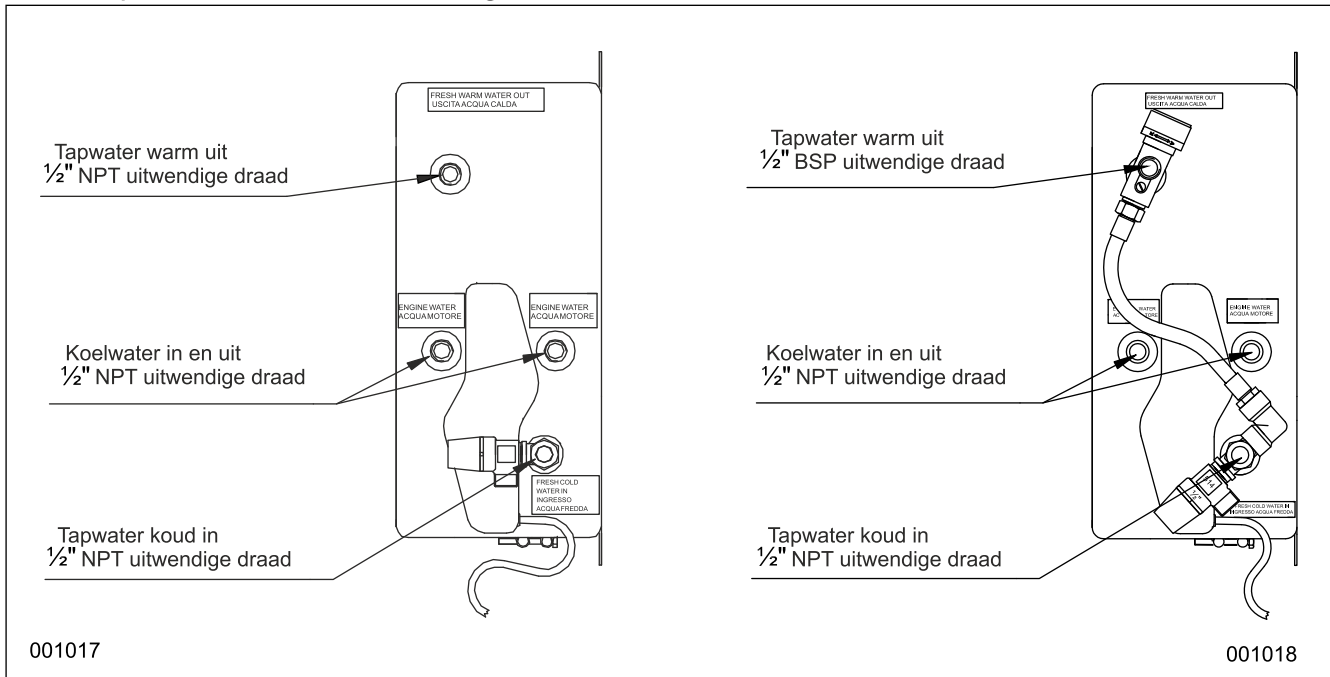


Fig. 6
Slim Square

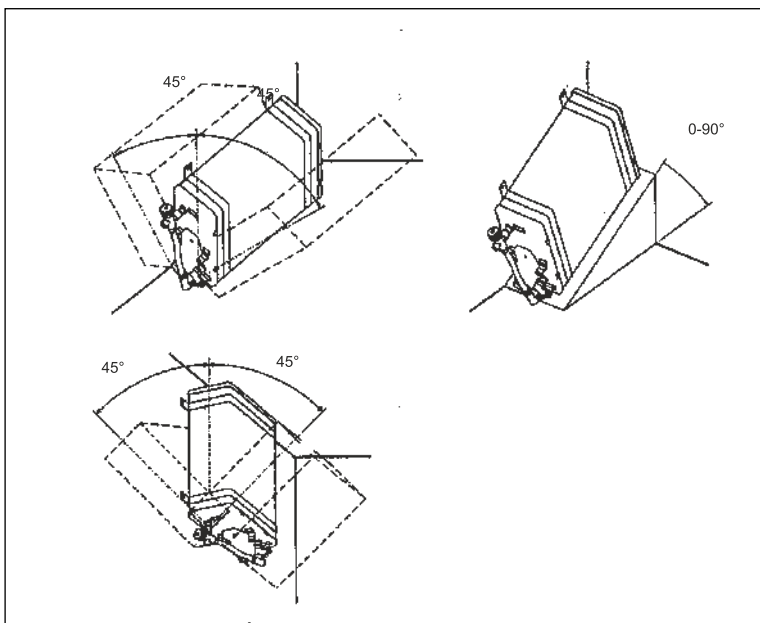


Fig. 7

Slim Square alternatieve montageposities.
Niet vergeten! De veiligheidsklep met de aftapfunctie dient altijd als laagste punt op de boiler te zitten.

4. Wateraansluitingen

4.1 Materiaal: Gebruik alleen aansluitnippels, pijpbochten etc. van roestbestendig materiaal zoals messing of roestvrij staal. Een set met aansluitingen is verkrijgbaar als accessoire. Ter bevordering van de trekvastheid mogen geen kunststof aansluitnippels worden gebruikt. Een plotselinge lekkage veroorzaakt ontoereikende koeling van de motor, of naar buiten spuitend heet water.

4.2 Slangen Gebruik voor de koelwaterslangen alleen hittebestendige (100°C) weefselversterkte rubberen slangen, bestendig tegen koelvloeistof en bestand tegen een druk van 5 bar.

Wat betreft de tapwateraansluitingen moeten er ook hier slangen worden gebruikt die bestand zijn tegen warmte, een druk van 8 bar en die geen smaak afgeven (geschikt voor voedingsmiddelen). Dit geldt ook voor de aansluiting van koud water in. Alle slangen moeten zorgvuldig met slangklemmen worden vastgezet. Aansluitingen met in- en uitwendige spoed moeten worden afgedicht met afdichtmiddel type Loctite 577, Bondline T 777 of een gelijkwaardig product. Slangnippels met draad G15 (1/2" BSP) passen op de draadaansluitingen van de boiler.

4.3 Motoraansluitingen (zie schema, fig. 1):

De boilers zijn bedoeld voor aansluiting op met tapwatergekoelde motoren.

Volg de gegevens van de motorfabrikant voor geschikte uitgangen op het koelsysteem van de motor waarop de aansluitnippels moeten worden aangesloten. Deze uitgangen dienen een zodanig drukverschil te hebben, dat een goede watercirculatie (minimaal 2 l/min) naar de boiler wordt gerealiseerd. Indien de boot is uitgerust met twee motoren, dan moet de boiler op één van de motoren worden aangesloten. Indien er twee boilers worden gemonteerd, dienen deze parallel te worden aangesloten. Om beperking van de doorstroming te voorkomen mag de afmeting van slangen, aansluitnippels en leidingen niet kleiner zijn dan de aansluitingen van de boiler (16 mm / 5/8").

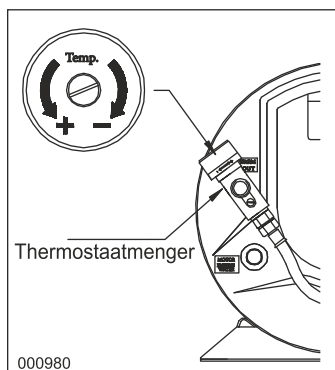
Voor aansluiting op kleine dieselmotoren van 10-15 pk kan het echter nodig zijn om de doorstroming door de boiler te beperken om de koelcapaciteit van de motor te handhaven.

4.4 Aansluiting op tapwater (zie schema, fig. 1):

De boiler is bedoeld om zodanig te worden aangesloten dat deze wordt voorzien van drinkwater via een elektrische drukwaterpomp vanaf het waterreservoir. Deze elektrische waterpomp mag een maximale druk van 3,8 bar leveren, 2,9 bar voor Slim Square, waarbij een dubbele membraanpomp een meer gelijkmatige toestroom en minder drukstoten geeft. Bij hogere druk zal de veiligheidsklep tijdens verwarming van het water reageren bij een druk van 7,0 bar c.q. 5,5 bar. De afvoer voor het warme water (ook het punt waar de boiler wordt ontlucht) dient op de mengkranen van de resp. gootsteen/wasbak te worden aangesloten, zodat koud water wordt toegevoegd om de gewenste temperatuur te krijgen.

Waarschuwing! Vergeet niet dat het warme water de motortemperatuur heeft, gevaar voor brandwonden.

Zet de thermostaatmenger van de boiler (indien geïnstalleerd) op de gewenste temperatuur in, tussen 38 en 65°C. Indien er op de uitvoeropening van de veiligheidsklep, G $\frac{1}{2}$ ", een slang met slangnippel wordt bevestigd, dient ook deze hittebestendig te zijn en te worden vastgezet met behulp van slangklemmen.



Deze slang dient altijd een vrije uitloop te hebben en mag niet op een kraan en wanddoorvoer worden aangesloten.

Wanneer het water wordt verwarmd zal het uitzetten, de druk neemt toe en een geringe hoeveelheid water kan door de uitvoeropening van de veiligheidsklep naar buiten komen. Dit is normaal.

4.5 Elektrische aansluiting

Zie schema fig. 8

De aansluiting op het verwarmingselement van de boiler is voorbereid en voorzien van een snoer met stekker. Het snoer is kort om aan te geven dat er in de directe nabijheid van de boiler een stopcontact nodig is. Het stopcontact moet met dubbele zekering op de landstroom zijn aangesloten en aan boord moet een aardlekschakelaar zijn geïnstalleerd. Deze eenheden evenals de overige vaste elektrische installatie van de boot die bedoeld is voor aansluiting op het stroomnet, moeten zijn uitgevoerd volgens de geldende voorschriften.

Deze tapwaterboiler en het elektrische gedeelte ervan zijn zodanig uitgevoerd dat ze voldoen aan de geldende EU-eisen voor dergelijke apparaten.

Opgelet! Wanneer de boot gedurende lange tijd niet wordt gebruikt, moet de stekker uit het stopcontact worden getrokken, zodat ook de massa wordt verbroken. Dit moet ook worden gedaan wanneer de landstroom is uitgeschakeld (binnen sommige gebieden kan er in het elektrische systeem van een boot een potentiaalverschil ontstaan tussen de massadraad en het water rondom de boot = massa van de boot. Op lange termijn kan dit beschadiging aan het verwarmingselement, de boiler en andere metalen onderdelen aan boord veroorzaken).

De installatie van een isolatietransformator elimineert de kans op galvanische corrosie in geval van een landstroomaansluiting.

Voordat de beschermkap van het elektrische verwarmingselement en de thermostaten wordt verwijderd moet eerst de stekker van het verwarmingselement uit het stopcontact worden getrokken, of moet de landstroomaansluiting helemaal worden verbroken. Het elektrische circuit heeft een bedrijfsthermostaat op 57°C en een oververhittingbeveiliging op 96°C. Indien de oververhittingbeveiliging in werking is getreden moet deze worden gereset door op de resetknop te drukken. Zie hoofdstuk 6:2 - Fig. 10.

Elektrische schema

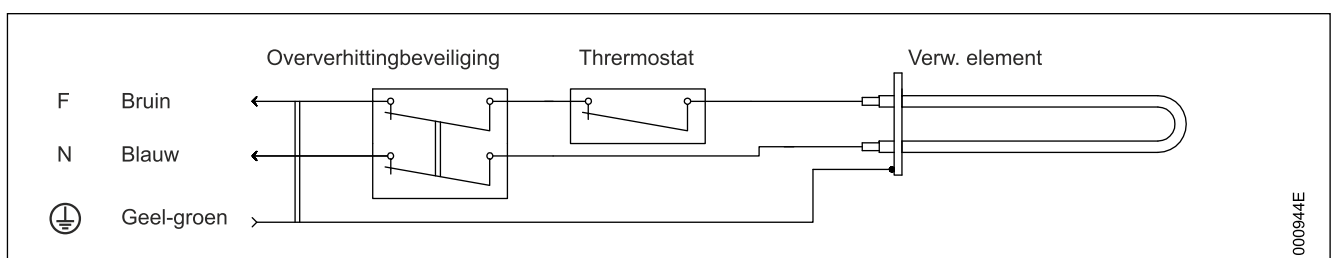


Fig. 8

5. Inbedrijfstelling/testen

Bijvullen met tapwater door de drukwaterpomp te starten en de warmwaterkraan open te laten staan, zodat lucht en daarna water naar buiten kan stromen. Controleer of het systeem goed afdicht en dat zich geen lekkage voordoet. Zet de stekker pas in het stopcontact nadat de boiler helemaal met water is gevuld. Overtollig water vanaf de veiligheidsklep moet altijd vrije uitloop hebben.

Start de motor van de boot en controleer of het koelwatersysteem op gang komt via het motorkoelcircuit van de boiler.

Indien de slangen zodanig zijn gemonteerd dat er lucht in het systeem kan ontstaan, kan het noodzakelijk zijn om ze te ontluichten door de slangen omhoog en omlaag te bewegen. Zie erop toe dat de slangen goed zijn vastgezet. Indien nodig moet het koelvloeistofpeil worden aangepast voor het volume van het koelwatercircuit van de boiler.

Zet de stekker van het verwarmingselement in het stopcontact, zet de hoofdschakelaar aan en controleer of het verwarmingselement het water verwarmt. Controleer of alle slangaansluitingen goed afdichten.

6. Onderhoud

6.1 Drukbelegingsvoorziening / veiligheidsgroep

De drukbelegingsvoorziening (veiligheidsgroep) moet regelmatig in werking gesteld worden (Zie figuur 9), om kalkafzetting te verwijderen en er zeker van te zijn dat deze niet geblokkeerd wordt.

6.2 Aftappen voor de winter: Wanneer de kans op bevrozing bestaat, dan moet het tapwater worden afgetapt.

Maak de warmwaterslang van de boiler los of open de ontluichtingsschroef (M5 kruiskop) op de mengklep. Verwijder de schroef helemaal om te waarborgen dat er lucht in de boiler kan komen. Open de aftapfunctie van de veiligheidsklep door de zwarte knop op de klep één klik linksom te draaien. Nu al er water uit de aftapopening van de veiligheidsklep lopen.

Indien het koelwatersysteem van de boot niet is voorzien van een vorstbeschermingsmiddel, dan moeten ook het koelwatersysteem van de boot, de slangen en het leidingcircuit van de boiler worden afgetapt. De boiler kan nu tijdens de winter gewoon in de boot blijven zitten.

Trek de stekker uit het stopcontact zodat de boiler niet per ongeluk droog kookt wanneer de boot op het stroomnet wordt aangesloten.

6.3 Thermostaat vervangen/resetten:

Waarschuwing! Verbreek de stroomtoevoer, haal eerst de stekker uit het stopcontact!

Het verwarmingselement heeft een standaard vermogen van 750 W. Indien een element met een hoger vermogen wordt gebruikt, bestaat de kans dat veel landstroominstallaties worden overbelast. De boiler is uitgerust met zowel bedrijfs- als oververhittingthermostaten, die de stroomtoevoer verbreken bij 75°C c.q. 96°C. Indien de oververhittingbeveiliging in werking is getreden moet deze worden gereset door op de resetknop te drukken. Zie fig. 10.

Controleer ook waarom de oververhittingbeveiliging in werking is getreden; werkt de bedrijfstermostaat? Geen water in de boiler?

Thermostaten vervangen: Verwijder de kunststof beschermingskap. Maak de kabelschoentjes van de thermostaat die moet worden vervangen los, noteer eerst de posities van de bedrading.

De voeielementen van de thermostaat zijn in een dompelbuis in het midden van de boiler gestoken, trek ze los. Maak de bevestigingsbout van de thermosta(a)t(en) los en verwijder deze. Monteer een nieuwe thermostaat in omgekeerde volgorde. Duw de voeielementen zover mogelijk in de dompelbuis.

OBS! Wanneer de boot gedurende langere tijd wordt achtergelaten moet de stekker van de boiler altijd uit het stopcontact worden getrokken, zodat ook de beschermingsmassa wordt verbroken, zelfs wanneer de landstroom van de boot is uitgezet. In bepaalde gebieden kan zich een potentiaalverschil in het elektrische systeem voordoen tussen landmassa en de massa het buitenwater=de boot, waardoor beschadigingen aan het verwarmingselement, de boiler, de motor en/of de propeller en de aandrijving kunnen ontstaan.

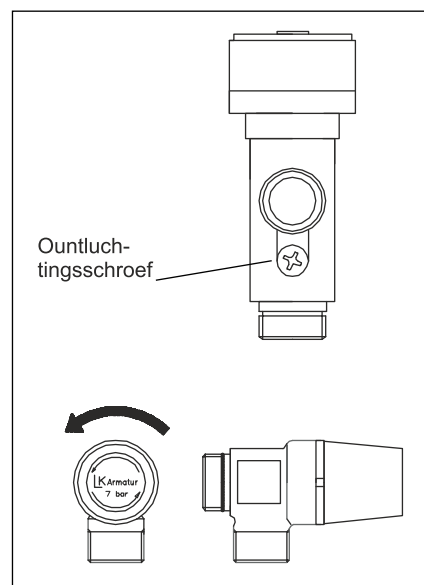


Fig. 9

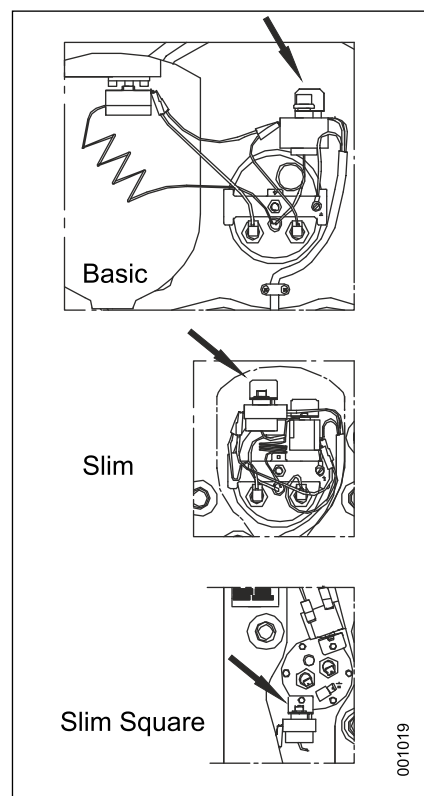


Fig. 10

6.4 Verwarmingselement vervangen:

Waarschuwing! Eerst de stroomtoevoer uitschakelen!
Trek de stekker uit het stopcontact. Tap al het water af.

Basic en Slim

Maak de kunststof kap los. Maak de thermostaat (Slim) en de oververhittingbeveiliging uit de houders los, zodat het verwarmingselement met montageplaat beter bereikbaar wordt. Maak de bedrading van het verwarmingselement los. Schroef de vergrendelbeugel, fig. 11B los. Het verwarmingselement met montageplaat kan eventueel in de boiler vallen. Zet de moer, fig. 11A, weer op de centrumbout vast, dan kan de eenheid beter worden vastgehouden.

Draai de montageplaat met het verwarmingselement in het reservoir 90° linksom, zodat de bedradingsteun rechts zit, draai de hele eenheid daarna zodanig dat deze de wand binnenin de tank aan linkerzijde aanraakt, over de leidingen van het motorkoelwatercircuit. Haal de complete eenheid door de opening met de linkerzijde eerst. Dit gaat gemakkelijker wanneer eerst de rubberen pakking wordt verwijderd.

Maak het verwarmingselement van de montageplaat los (sleutel 19 mm), en monteer daarna het nieuwe element met nieuwe pasringen en rubberen pakkingen.

Monteer de hele eenheid in omgekeerde volgorde, maar bevestig eerst de grote rubberafdichting.

Na montage dient het verwarmingselement iets naar beneden in het reservoir te wijzen, parallel lopend met de dompelbuis.

Slim Square

Het verwarmingselement van de Slim Square zit vast in een ronde ring die met zes boutjes op een flens van de boiler is vastgezet. Zie fig. 11. Deze heeft een vlakke rubberen pakking. Noteer in welke stand de bevestigingsring met verwarmingselement is vastgezet.

Trek eerst de bedrading van het verwarmingselement los. Draai de zes boutjes os waarna het verwarmingselement met de ring kan worden losgetrokken.

Schroef het verwarmingselement van de ring los (sleutel 19 mm), en monteer daarna het nieuwe element met nieuwe steunringen en rubberen pakkingen. Monteer het element met de bevestigingsring met een nieuwe pakking in dezelfde positie als voorheen.

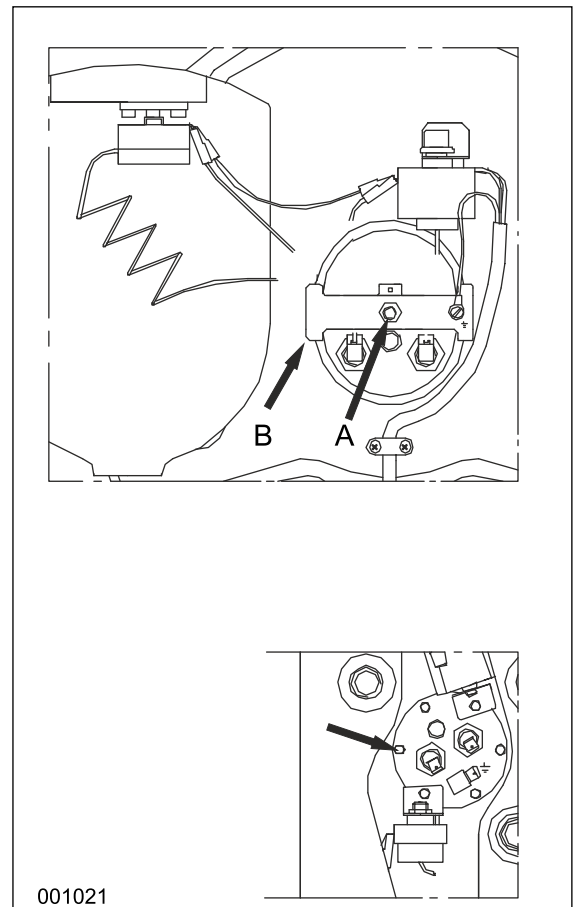


Fig. 11

7. Basic 40 & 75 L met dubbele motorkoelwatercircuits

De aansluitingen voor de beide koelwatercircuits zijn te zien in fig. 4. Beide circuits hebben aansluitingen aan voorzijde van de boiler.

Het vervangen van het verwarmingselement moet worden uitgevoerd volgens bovenstaande beschrijving voor de Basic. Zie fig. 4.

8. Technische gegevens

8.1 Basic

Type	Volume liter	Gew. kg	Verw. element	Verw. element optie	Thermostaat-kraan
602431B000000	24	12.5	230V~ 750W	115V~ 750W	-
602431B000003	24	12.5	230V~ 750W	115V~ 750W	X
602431BD000000 (Dos serpentines)	24	13	230V~ 750W	115V~ 750W	-
602431BD000003 (Dos serpentines)	24	13	230V~ 750W	115V~ 750W	X
603031B000000	30	13.5	230V~ 750W	115V~ 750W	-
603031B000003	30	13.5	230V~ 750W	115V~ 750W	X
604031B000000	40	15.5	230V~ 750W	115V~ 750W 115V~ 1200W * 230V~ 1200W *	-
604031B000003	40	15.5	230V~ 750W	115V~ 750W 115V~ 1200W * 230V~ 1200W *	X
604031BD000000 (Dos serpentines)	40	16	230V~ 750W	115V~ 750W 115V~ 1200W * 230V~ 1200W *	-
604031BD000003 (Dos serpentines)	40	16	230V~ 750W	115V~ 750W 115V~ 1200W * 230V~ 1200W *	X
605031B000000	50	17	230V~ 750W	115V~ 750W 115V~ 1200W * 230V~ 1200W * 230V~ 2000W *	-
605031B000003	50	17	230V~ 750W	115V~ 750W 115V~ 1200W * 230V~ 1200W * 230V~ 2000W *	X
607531B000000	75	24.5	230V~ 750W	115V~ 750W 115V~ 1200W * 230V~ 1200W * 230V~ 2000W *	-
607531B000003	75	24.5	230V~ 750W	115V~ 750W 115V~ 1200W * 230V~ 1200W * 230V~ 2000W *	X
607531BD000000 (Dos serpentines)	75	25	230V~ 750W	115V~ 750W 115V~ 1200W * 230V~ 1200W * 230V~ 2000W *	-
607531BD000003 (Dos serpentines)	75	25	230V~ 750W	115V~ 750W 115V~ 1200W * 230V~ 1200W * 230V~ 2000W *	X

* - Het verwarmingselement 1200/2000 W dient alleen horizontaal in het toestel gemonteerd te worden gemonteerd!

Afmetingen: Zie fig. 12a, 12b

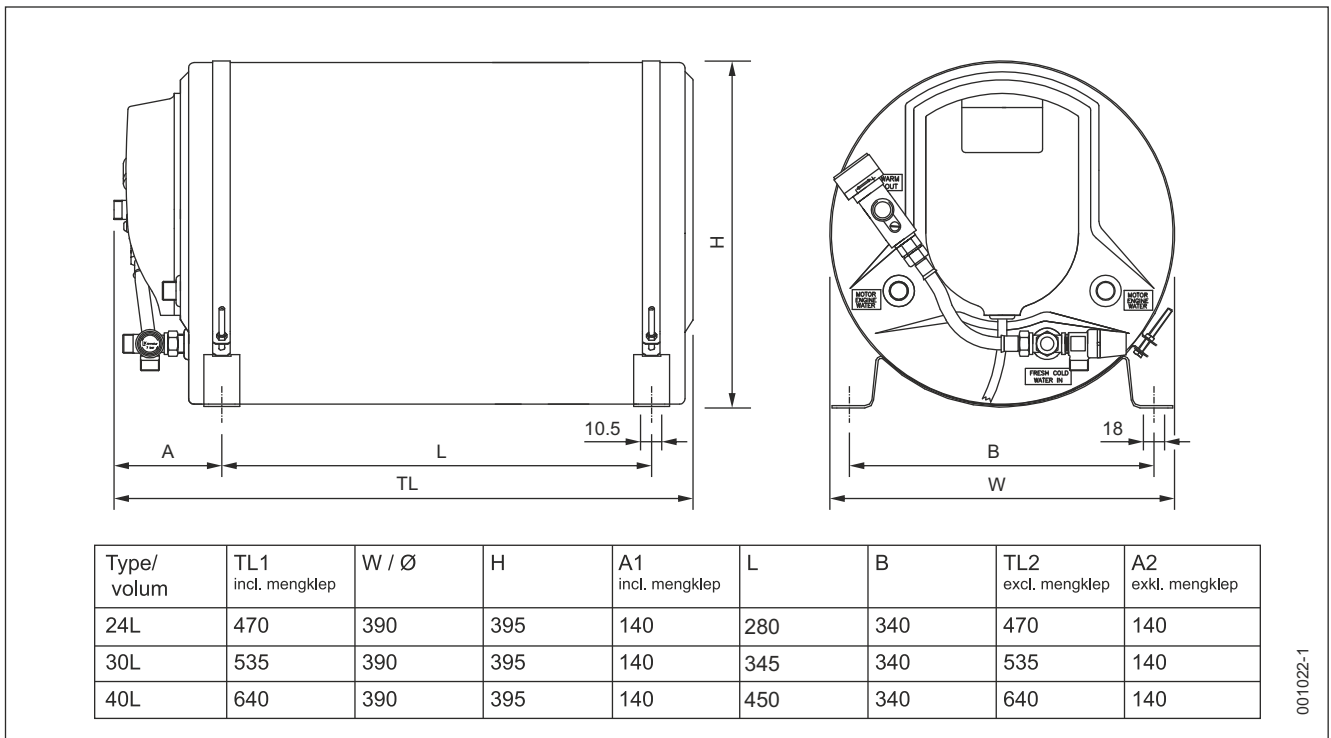
Materiaal: Leidingen warmtewisselaar, binnenreservoir en aansluitingen: R.v.s. zuurvast staal AISI 316
Buitenmantel en bevestigingsvoetjes: R.v.s. AISI 304

Verw.element Met nikkel belegd koper

Isolatie: Polyurethaan

Veiligheidsklep: 7 bar

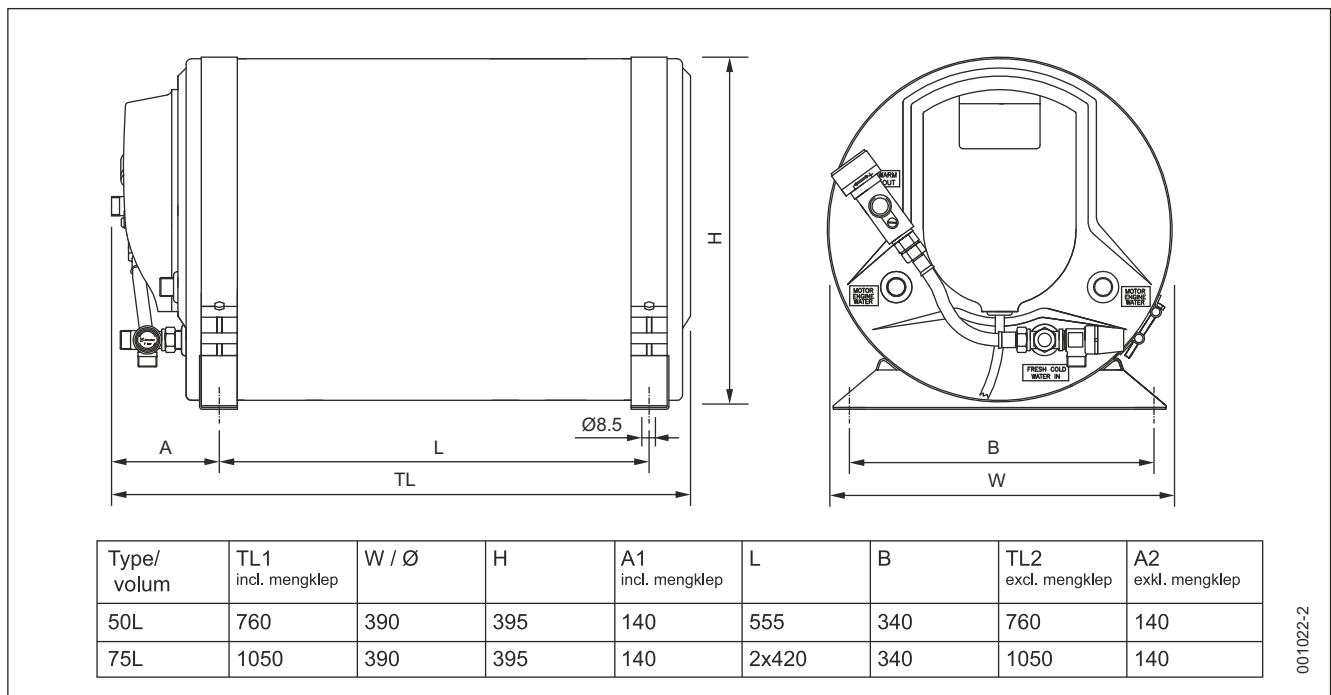
Afmetingen Basic 24, 30, 40



001022-1

Fig. 12a

Afmetingen Basic 50, 75



001022-2

Fig. 12b

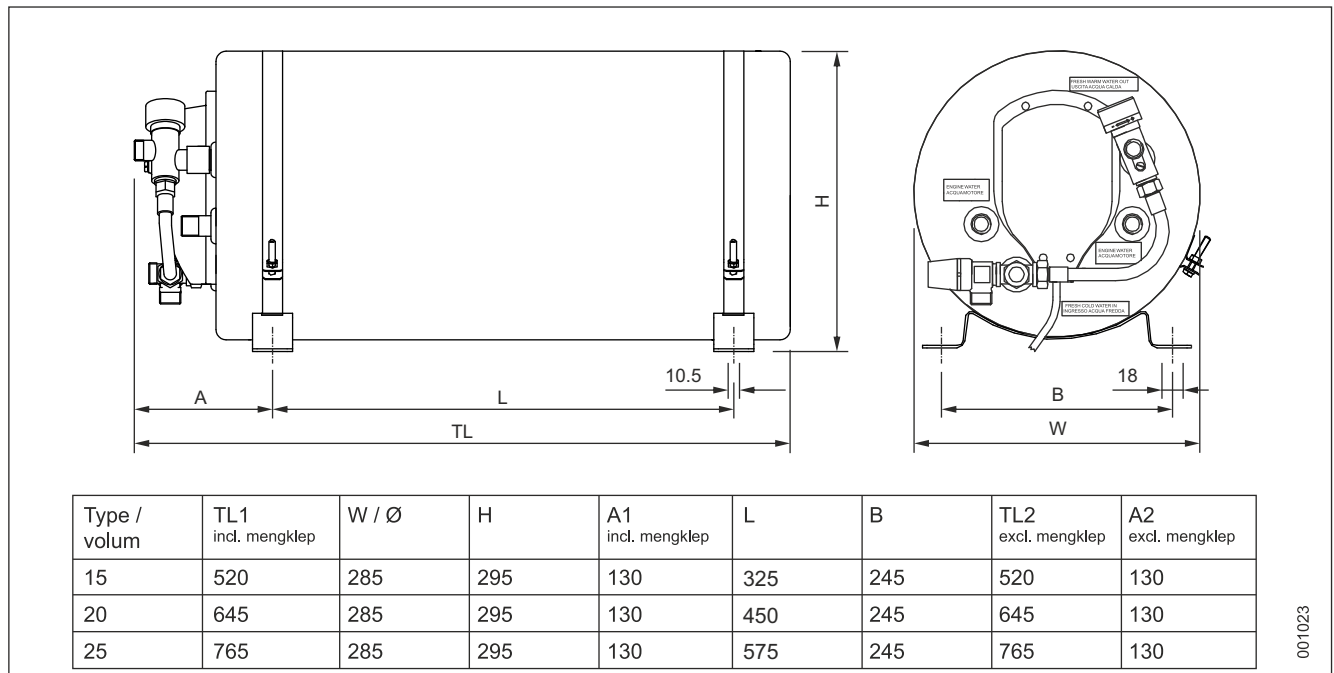
8.2 Slim

Type	Volume liter	Gew. kg	Verw. element	Verw. element optie	Thermostaat-kraan
601531S000000	15	9	230V~ 750W	115V~ 750W	-
601531S000003	15	9	230V~ 750W	115V~ 750W	X
602031S000000	20	10.5	230V~ 750W	115V~ 750W 115V~ 1200W * 230V~ 1200W *	-
602031S000003	20	10.5	230V~ 750W	115V~ 750W 115V~ 1200W * 230V~ 1200W *	X
602531S000000	25	12	230V~ 750W	115V~ 750W 115V~ 1200W * 230V~ 1200W * 230V~ 2000W *	-
602531S000003	25	12	230V~ 750W	115V~ 750W 115V~ 1200W * 230V~ 1200W * 230V~ 2000W *	X

* - Het verwarmingselement 1200/2000 W dient alleen horizontaal in het toestel gemonteerd te worden gemonteerd!

Afmetingen: Zie fig. 13
Materiaal: Leidingen warmtewisselaar, binnenreservoir en aansluitingen: R.v.s. zuurvast staal AISI 316
Buitenmantel en bevestigingsvoetjes: R.v.s. AISI 304
Verw.element Met nikkel belegd koper
Isolatie: Polyurethaan
Veiligheidsklep: 7 bar

AfmetingenSlim



001023

Fig. 13

8.2 Slim Square

Type	Volume liter	Gew. kg	Verw. element	Verw. element optie	Thermostaat-kraan
601631Q000000	16	15.5	230V~ 750W	115V~ 750W	-
601631Q000003	16	15.5	230V~ 750W	115V~ 750W	X

Afmetingen:

Zie fig. 14

Materiaal:

Leidingen warmtewisselaar, binnenreservoir en aansluitingen: R.v.s. zuurvast staal AISI 316

Buitenmantel en bevestigingsvoetjes: R.v.s. AISI 304

Verw.element

Met nikkel belegd koper

Isolatie:

Polyurethaan

Veiligheidsklep:

5 bar

Afmetingen Slim Square

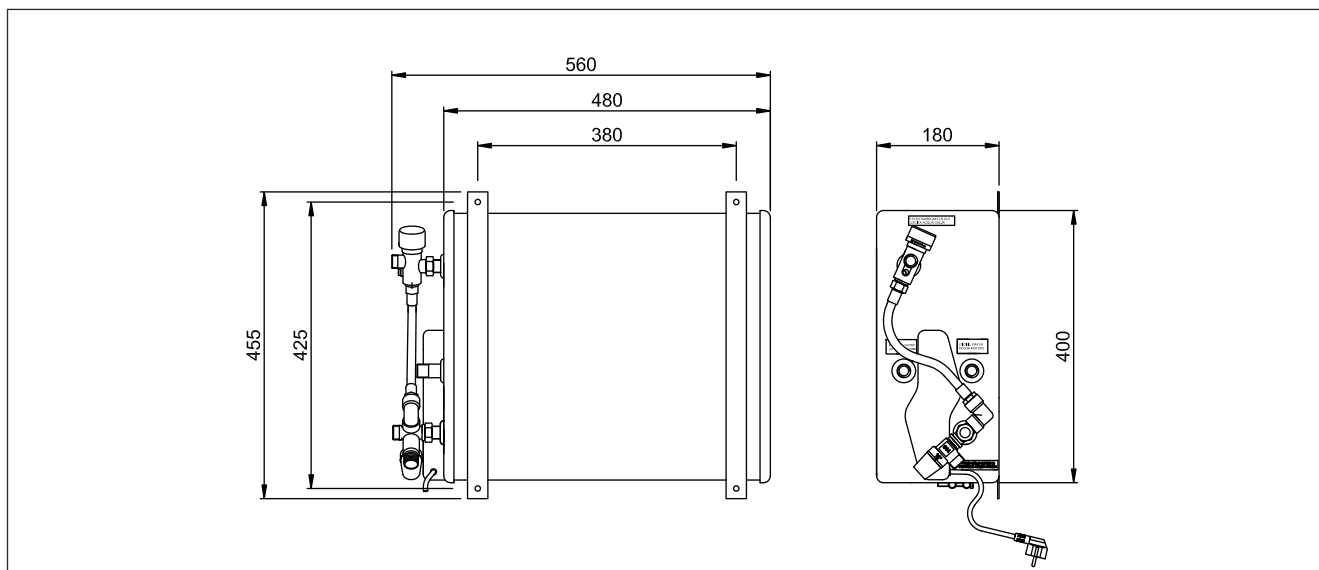


Fig. 14

In geval van noodzaak en indien er een onenigheid of geschil ontstaat met betrekking tot de vertaling en de begrippen in deze taalversie van de handleiding voor installatie, gebruik en onderhoud, zal de engelse versie als origineel worden beschouwd en voorrang hebben.

9. Garantie van Indel Webasto Marine

De garantie van Indel Webasto Marine voldoet aan de Richtlijn 2019/771

9.1 Garantieduur

De garantie op alle heetwatertoestellen Isotemp is gedurende 2 jaar geldig wat arbeidskosten, herstel en vervanging betreft, maar alleen als die door een erkende hersteller van het IWM netwerk worden uitgevoerd. Op de lekkage van binnentank of uit serpentine warmtewisselaar is de garantie 5 jaar geldig (exclusief arbeidsduur na de eerste 2 jaar).

De garantie is alleen op heetwatertoestellen geldig die op boten geïnstalleerd zijn en niet geldig op heetwatertoestellen die op andere recreatie vervoermiddelen of andere uitrusting dan marine uitrusting geïnstalleerd zijn.

De garantieperiode vangt aan op:

- a) De datum van verkoop die op het kasticket of factuur vermeld staat.
- b) De datum van verkoop die vermeld staat op het factuur of registratie van de eerste verkoop van de boot waar het toestel is geïnstalleerd als de montage door de bootfabrikant uitgevoerd was.
- c) Indien geen van de bovengemelde voorwaarden niet voorhanden zijn, vangt de garantie aan vanaf het jaar en week van fabricage zoals vermeld in het S/N (serienummer) op het productetiket.

Vervanging van het product of component verandert de aanvangsdatum van de garantie niet.

9.2 De garantie dekt:

- Vervanging of reparatie van het product of van een of meerdere componenten als ze defect worden erkend wegens fabricagefouten.
- Storing of uitvallen van de componenten tijdens de garantieduur ondanks juiste installatie en correct gebruik.
- Arbeids- en transportkosten op basis van de Operatieprocedures in dit document.
- Transportkosten bij vervoer van het product voor vervanging (met uitsluiting van de douanekosten).

9.3 De garantie dekt de volgende gebreken of defecten niet:

- ten gevolge van nalatigheid, onachtzaamheid of verkeerd gebruik
- onjuiste installatie of onzorgvuldige gebruik
- foutieve elektrische verbindingen
- ondermaatse kabels
- onjuist onderhoud of onderhoud door niet erkende personeel
- niet-naleving van de instructies in de gebruikershandleiding
- vervoerschade
- producten die op andere plaats dan op een boot zijn geïnstalleerd
- waterlekkage uit heetwatertoestellen bij gebruik van het water dat niet puur, vers of met hoge elektrische geleidbaarheid en zoutgehalte is.
- douanekosten
- beroepsgebruik
- defecten ten gevolge van weeromstandigheden
- kosten voor demonteren en/of opnieuw monteren van de uitrusting of andere constructie

9.4 Informatie die nodig is om na te gaan of het bepaald geval door de garantie wordt gedekt:

- Productnummer (type) (geschreven op het etiket van het product)
- S/N (serienummer) (geschreven op het etiket van het product)
- Factuur, kasticket of registratiedocument (zie de bepaling over de garantieduur)
- Boottype
- Gedetailleerde omschrijving van het defect. (Eventueel met foto's)
- Omschrijving van de installatie. (Eventueel met foto's)

(Indien blijkt dat de garantie dit bijzonder geval niet dekt, moet de klant de kosten voor reparatiewerk, vervanging, arbeid en transport betalen. IWM is niet verplicht om alle kosten te dekken.)

9.5 De Operatieprocedures die van toepassing zijn als het wordt vastgesteld dat de garantie dit bijzonder geval wel dekt:

De interventie onder de garantie moet alleen door de partners van IWM uitgevoerd worden (zie de lijst op de website www.indelwebastomarine.com).

IWM dekt de onderhoudskosten verricht door de anderen niet.

De service technicus van de erkende door IWM service center gaat aan boord als de boot maximum 100 km van het service center is. IWM dekt de transportkosten. Als de boot verder dan 100 km van het service center is, kan de eigenaar kiezen of de transportkosten aan de technicus te betalen (rechtstreeks aan de technicus) of zijn boot dichterbij te verplaatsen.

IWM betaalt de reserveonderdelen niet terug als die van een andere plaats dan IWM of een officiële distributeur van IWM zijn aangekocht.

Оглавление

1. Инструкции по безопасности
2. Расположение водонагревателя
3. Монтаж
4. Подключение
 - 4.1 Фитинги
 - 4.2 Шланги
 - 4.3 Подключение к двигателю
 - 4.4 Подключение чистой воды
 - 4.5 Подключение к электрической системе
5. Включение / тестирование
6. Поддержка
 - 6.1 Механизм для понижения давления / Предохранительный клапан
 - 6.2 Слив зимой
 - 6.3 Ремонт / рестарт термовыключателя
 - 6.4 Замена нагревателя
7. Двойной змеевик
8. Технические данные
 - 8.1 Basic
 - 8.2 Slim
 - 8.3 Slim Square
9. Гарантия

1. Инструкции по безопасности

Инструкция составлена для того, чтобы помочь вам работать с вашим водонагревателем безопасно и приятно. Она содержит информацию, которая касается работы и поддержки прибора. Просьба прочитать внимательно, ознакомиться с продуктом, и хранить инструкцию в надежном месте на лодке.

Важно, чтобы ваш водонагреватель правильно подсоединили и обслуживали. В зимний период, когда прибор не используется, особенно важно слить из него воду, для того, чтобы не замерзла. Каждый водонагреватель прошел индивидуальный тест на давление и соответствие с электрическими параметрами, и имеет заводскую гарантию два года с учетом возможных дефектов материалов и/или производства.

Производитель не несет ответственности за ущерб оборудованию и за ранения персонала, которые могут случиться в результате неправильной установки или эксплуатации продукта.



Опасность!

Электрическое подсоединение на борту лодки должны выполнять квалифицированные специалисты.

Водонагреватель должен быть правильно прикреплен к АС системе.



Опасность!

Всегда используйте рекомендуемые сечения проводников, выключателей и разъединителей!



Предупреждение!

Если кабель питания поврежден, его должен заменить производитель, его сервисный центр или лицо аналогичной квалификации, во избежание опасности.



Предупреждение!

Не следует подсоединять водонагреватель к электрической системе, пока водонагреватель не наполнен водой.



Предупреждение!

Использовать только чистую питьевую пресную воду, соли (хлориды) должны быть меньше 50 mg/l, а электропроводимость – ниже 200 µS/cm. Это и есть условие действительности гарантии, если его не соблюдали, нержавеющая сталь резервуара может повредиться.



Предупреждение!

Риск ожога, вода в водонагревателе будет иметь температуру системы охлаждения двигателя.

Внимание!

Прочитайте пункт 4.5. Подсоединение электрической цепи в связи с риском коррозии соединения с береговым питанием.

Внимание!

Внимательно следуйте инструкциями производителя двигателя насчет соединения к системе охлаждения двигателя.

Внимание!

В случае опасности замерзания, см. Главу 6.2.




Предупреждение!

Этим прибором могут пользоваться дети старше 8 лет и лица с ограниченными физическими, сенсорными или умственными способностями, или с недостаточным опытом и знаниями, если за ними наблюдают или следят за безопасным использованием прибора и понимают риск. Дети не должны играть с этим прибором. Детям запрещается без надзора совершать профилактику и уход.

Охрана окружающей среды

Прибор промаркирован согласно Директиве Европейского союза 2012/19/EU относительно отходов электрического и электронного оборудования (WEEE).

Выбрасывая продукт в определенные для этой цели места, вы предотвратите потенциальные негативные последствия для окружающей среды и здоровья человека, которые в противном случае могут быть нанесены в результате неправильного выброса данного продукта.

Символ  на продукте или на сопутствующих документах указывает, что с прибором нельзя обращаться как с бытовыми отходами.

Его нужно отвезти на соответствующее место для отходов, для рециклирования как электрическое и электронное оборудование. Складирование должно осуществляться в соответствии с нормативными документами, касающимися охраны окружающей среды и выброса отходов.

За более подробной информацией относительно обращения, обработки и рециклирования продукта, просьба связаться с местными властями, службой по сбору отходов или с магазином, в котором приобрели продукт.

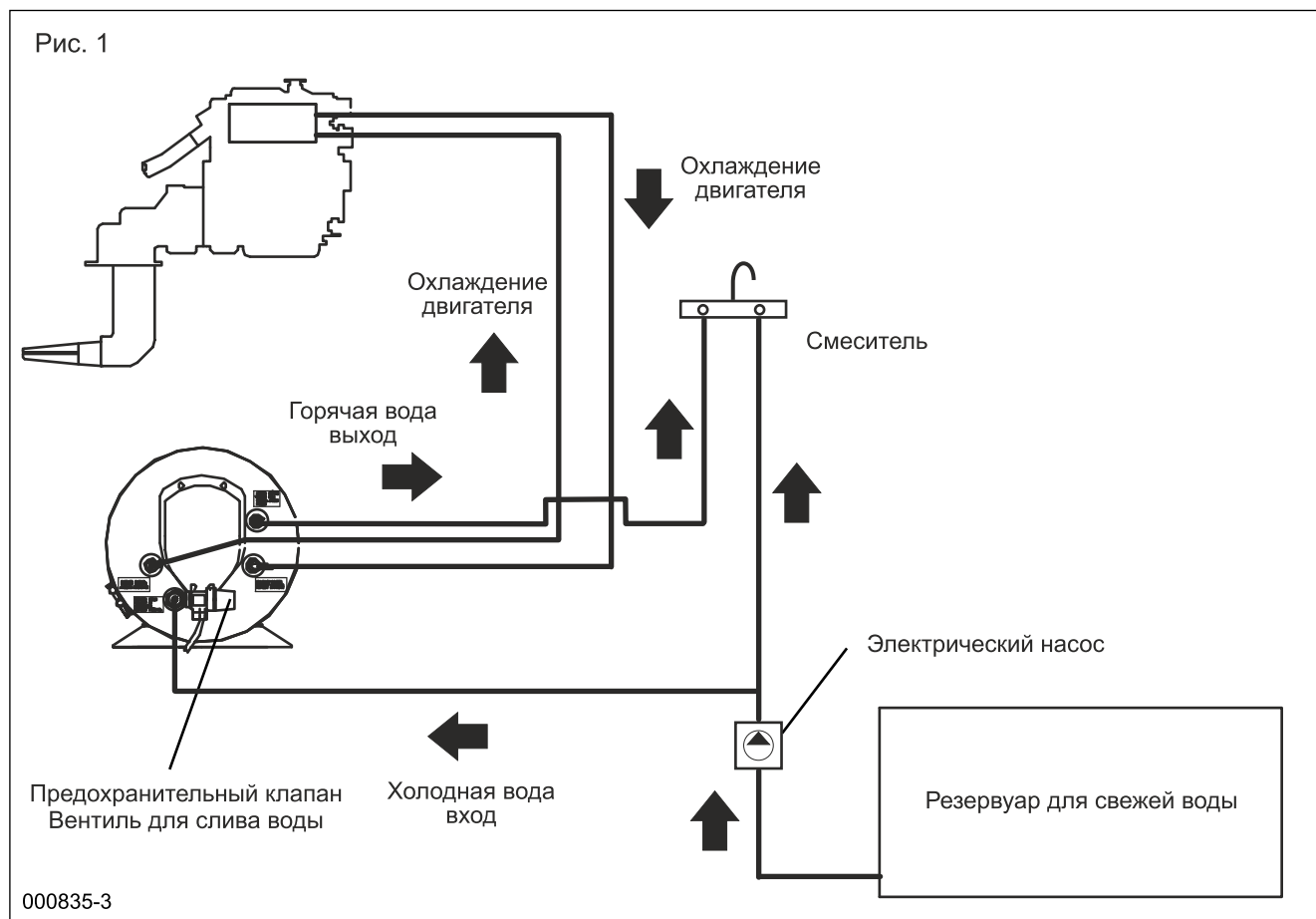
2. Расположение водонагревателя

Водонагреватель можно монтировать в любом месте на лодке, достаточно чтобы соединение к теплообменнику на моторе находилось под главным баком двигателя (Рис. 1). Лучше всего использовать короткий шланг для подключения теплообменника, чтобы сохранить низкое сопротивление протекания и потери тепла. Во многих системах теплообменник бака просто подсоединяется последовательно к кругу охлаждения двигателя. В некоторых системах он подключается параллельно с устройством ограничения/отклонения потока.

Выбор зависит от специфических требований производителя двигателей или установщика. Просьба консультироваться с производителем или дистрибутором вашего двигателя для рекомендаций относительно подключения к системе охлаждения двигателя.

В случае если водонагреватель нужно монтировать над главным баком двигателя, на шланге водяного круга двигателя необходимо установить выпускной вентиль в самой высокой точке. Вентиль составляет дополнительное оборудование.

Основная схема соединения



3. Монтаж

Водонагреватели Basic, Slim и Slim Square разработаны для лучшей работы в условиях горизонтального монтажа, но их можно устанавливать и в вертикальном положении. Выпускной/предохранительный вентиль должен всегда находиться в самой низкой точке. Монтажные скобы можно регулировать на месте, и водонагреватели Basic и Slim устанавливать на перегородке. Водонагреватель следует устанавливать только на подходящей опоре или стене, и учитывать дополнительный вес воды, когда наполните бак.

Смотрите альтернативные монтажные позиции на Рис.2.

Slim Square можно устанавливать на пол или в другое альтернативное место, как это видно на рис. 7. Подключение к водопроводной системе показано на Рис. 3 Basic, на Рис. 4 Basic с двойным змеевиком, Рис. 5 Slim и Рис. 6 Slim Square.

Рекомендуется предусмотреть около 30 см (1 ft) свободного места перед водонагревателем для сервисного обслуживания.

Водонагреватели Basic и Slim

Альтернативные позиции монтажа

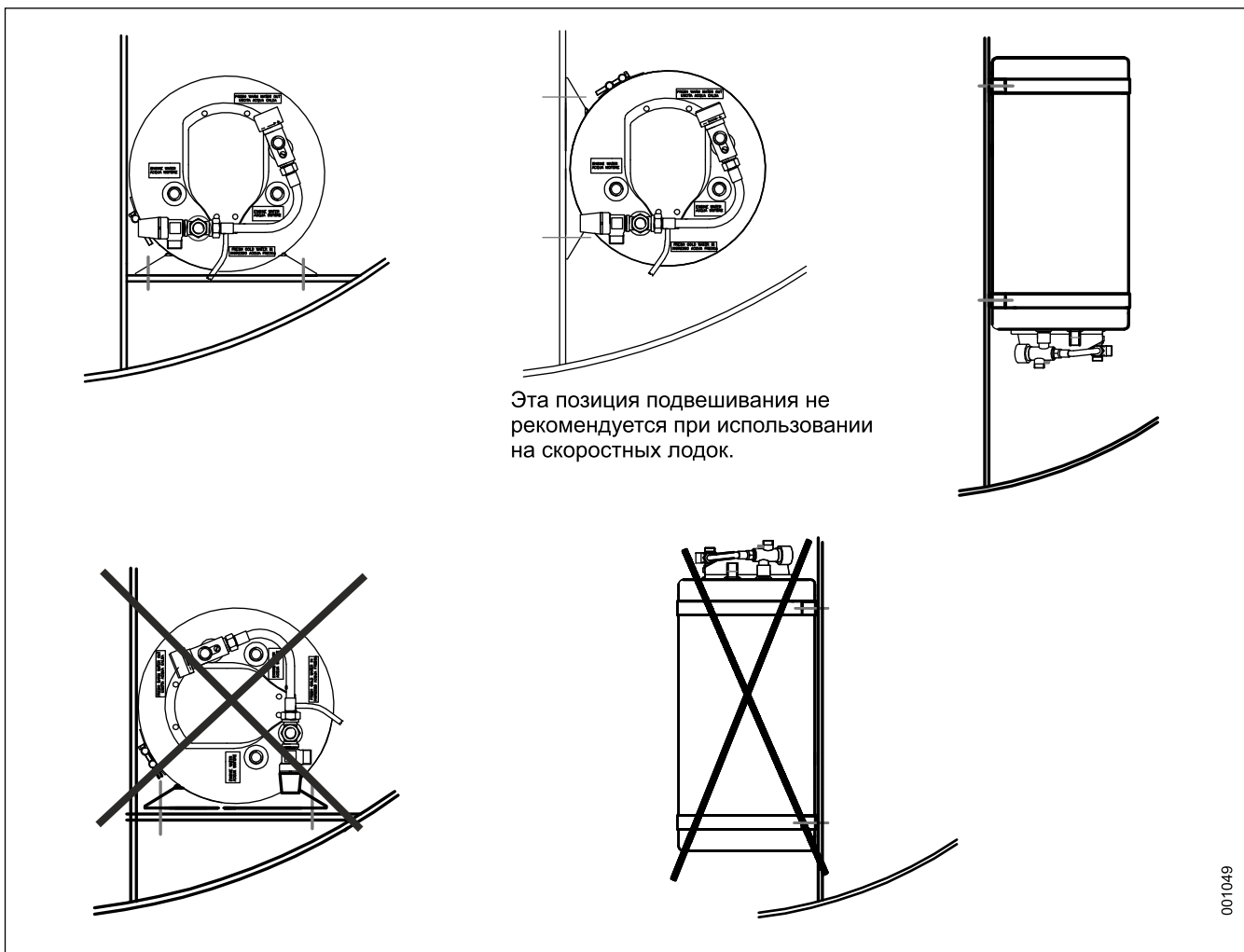


Рис. 2

Basic без и с термостатическим смесительным вентилем

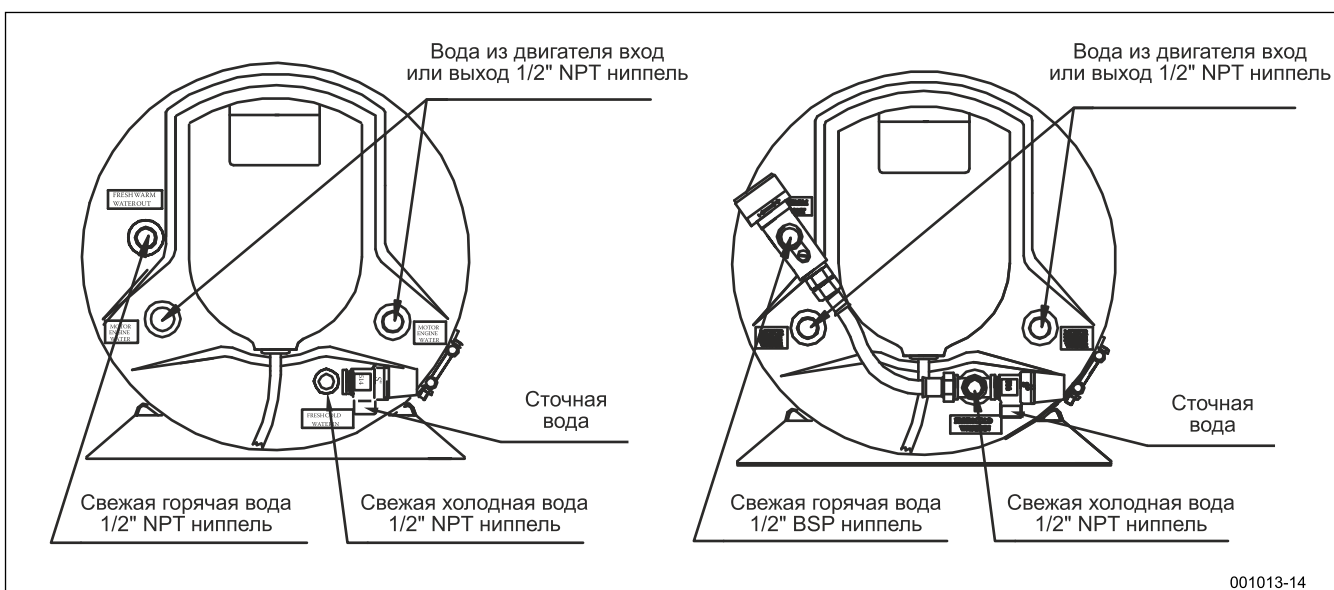


Рис. 3

Basic с теплообменниками без и с термостатическим смесительным вентилем

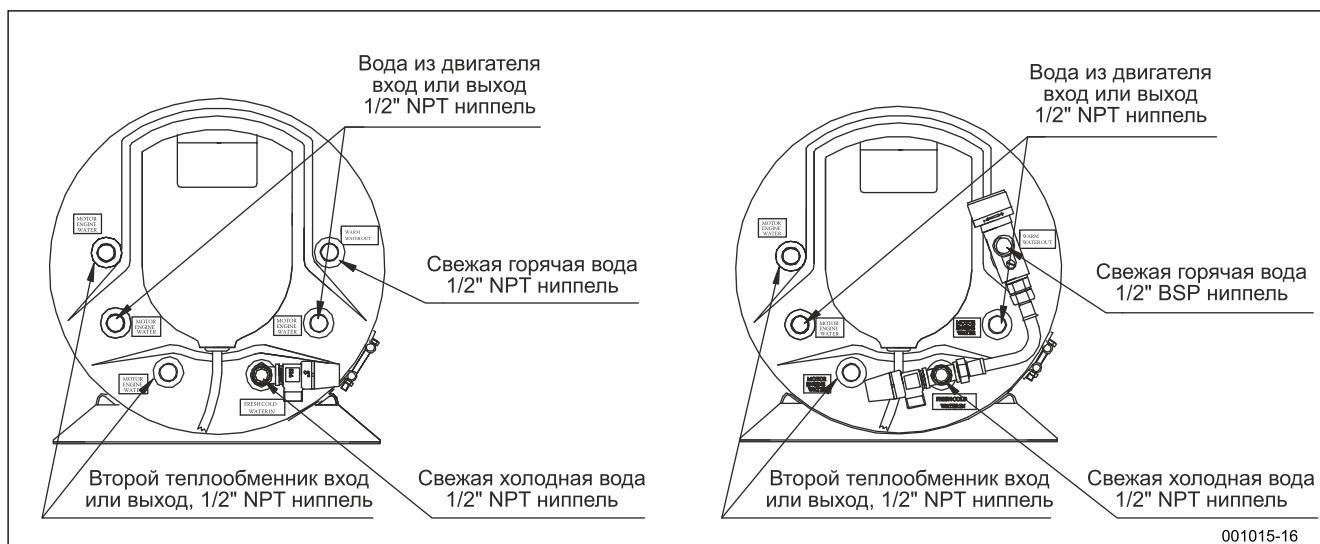


Рис.4

Slim без и с термостатическим смесительным вентилем

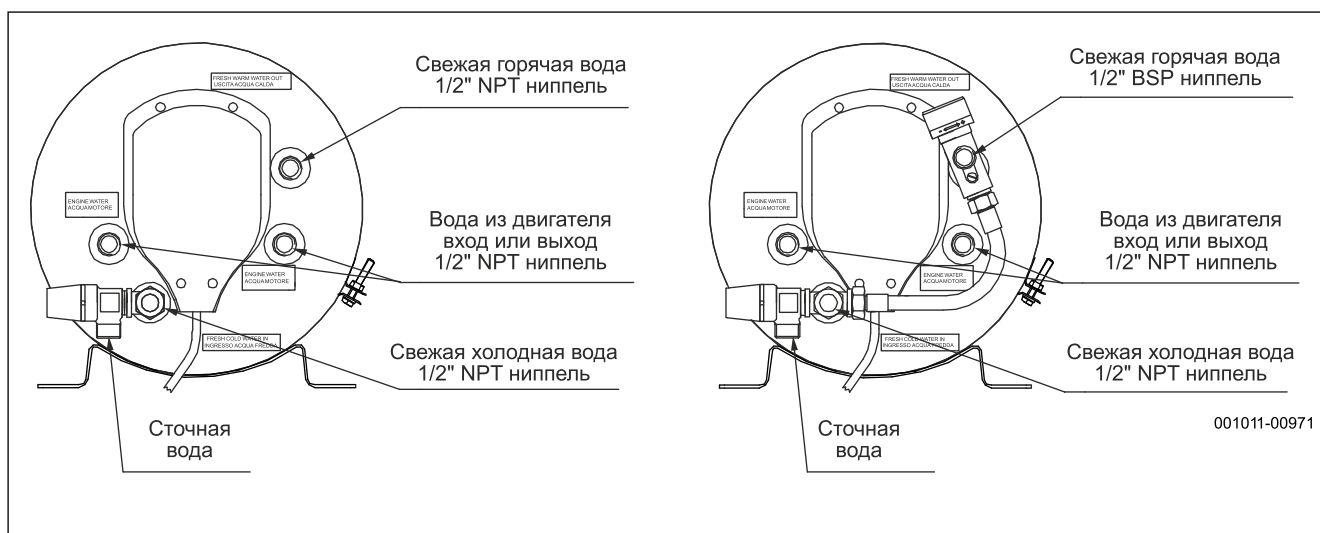


Рис.5

Шланг с муфты с 1/2" BSP резьбой подходит для подсоединения к внешней 1/2" NPT резьбе.

Slim Square без и с термостатическим смесительным вентилем

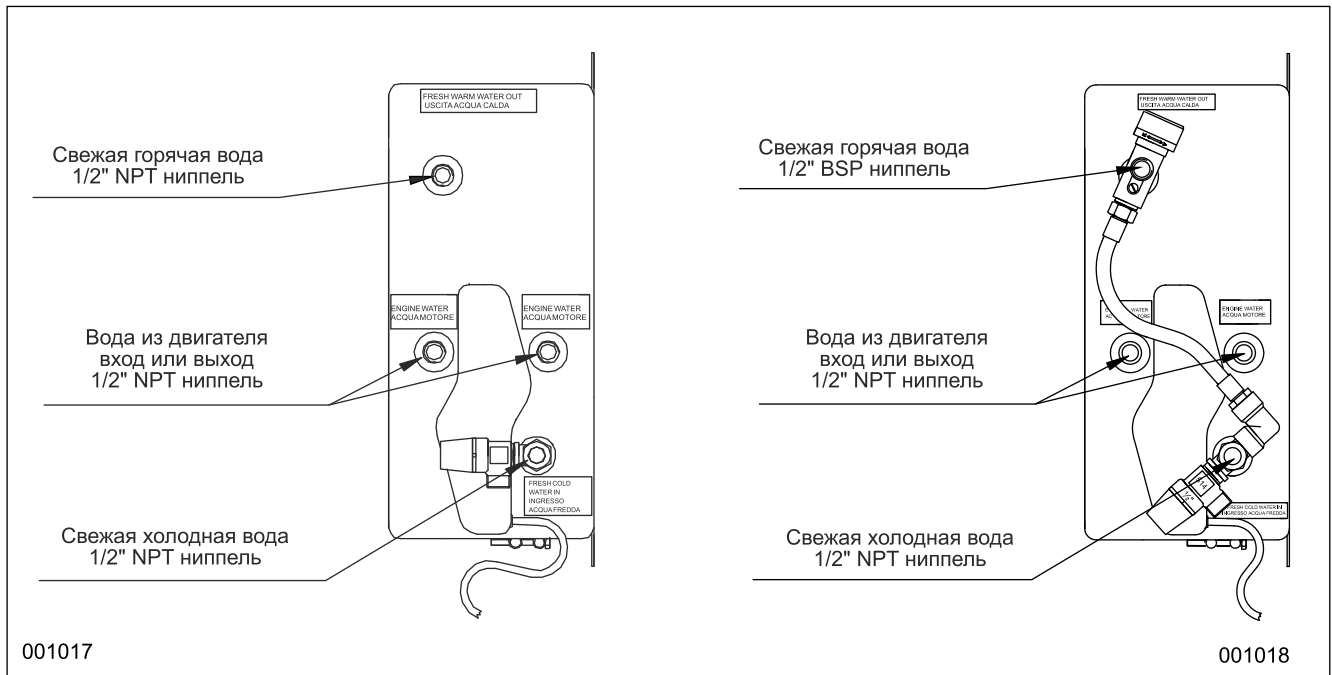


Рис. 6

Slim Square

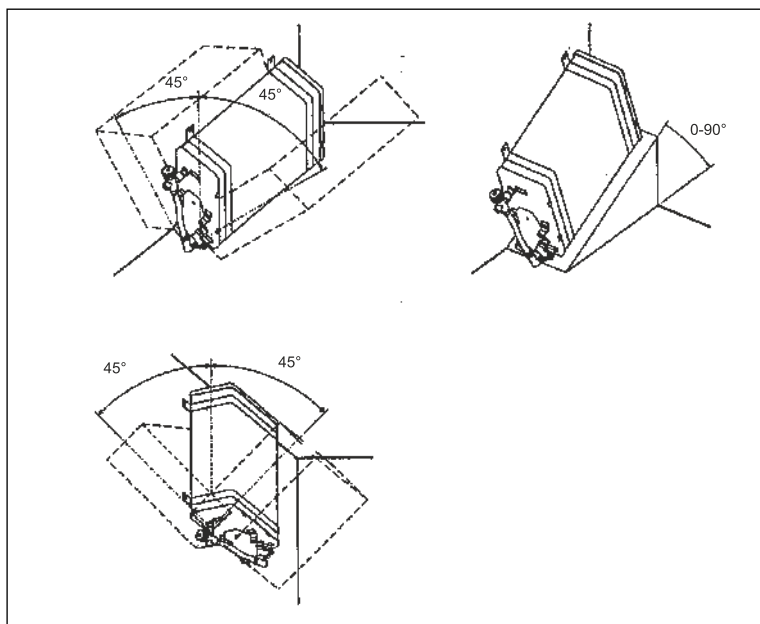


Рис. 7

Альтернативные позиции для монтажа Slim Square

Помните, что предохранительный вентиль в самой нижней позиции

4. Подключение

4.1 Фитинги. Используйте только фитинги и аксессуары, изготовленные из некорродирующих материалов, таких как латунь или нержавеющая сталь. Избегайте пластмассовых фитингов из-за температуры, если только они специально не предназначены для этой цели. Это важно, течь в этой области может причинить внезапный перегрев мотора, а также и опасное протекание горячей воды.

4.2 Шланги. Для подсоединения к двигателю используйте теплоустойчивые (100 °C/210 °F) усиленные ребристые шланги, устойчивые к

замерзанию и одобренные для давления 5 bar/70 psi. Для чистой воды, входящей холодной воды и исходящей горячей воды, используйте термостойкие шланги для чистой воды (одобренные для питьевых нужд). Они должны работать на 8 bar/115 psi. Стяните шланги аккуратно при помощи скоб. Уплотните соединения по резьбе при помощи Loctite 577 или Bondline T777.

Ниппели с резьбой G1/2" (1/2" BSP) подходят для подсоединения бойлера.

4.3 Подключение к двигателю (смотри диаграмму на Рис.1)

Водонагреватель можно использовать с двигателями, охлаждаемыми чистой водой. Дебит охлаждающей воды из двигателя через водонагреватель должен быть как минимум 2 l/min. Если на лодке два двигателя, подключите водонагреватель только к одному из них. Когда установлено два водонагревателя, их следует подключать параллельно. Подключение к двигателю нужно сделать, по крайней мере, при помощи шланга 5/8"/16mm и адаптера, во избежание ограничений.

Смотри пояснение в Инструкции по эксплуатации двигателя относительно точек соединения шлангов.

4.4 Подключение чистой воды (смотри диаграмму на Рис. 1)

Водонагреватель питается чистой водой при помощи электрического насоса под давлением в водопроводной системе. Максимальное рабочее давление насоса 3,8 bar /55 psi. Просьба учитывать, что предохранительный клапан давления водонагревателя настроен на 7 bar /100 psi. Чистая вода входит через предохранительный вентиль. Вывод для горячей воды, которая выходит из водонагревателя, должен быть подсоединен к смесителю на раковине и/или выводу резервуара.

Предупреждение! Просьба учитывать, что горячая вода имеет температуру двигателя, и существует риск ожога! Размешайте холодную воду в смесителе. Если водонагреватель снабжен температурным клапаном (термостатическим смесительным вентилем), можете настроить подходящую температуру горячей воды при помощи регулируемого температурного клапана, во избежание ожогов. Температура может быть настроена в диапазоне 38-65 °C / 100-150 °F.

Шланг для отвода воды из бокового отверстия предохранительного вентиля должен всегда иметь свободный выход. Там нельзя устанавливать вентиль или затычку. Небольшое количество воды может протекать из предохранительного вентиля во время нагрева воды в бойлере, потому



что вода увеличивает свой объем при нагреве. Это нормальная ситуация и показывает, что система работает хорошо.

4.5 Подключение к электрической системе

Смотри „Принципиальная электрическая схема”, Рис. 1

Все внутренние соединения заводского изготовления. К кабелю питания имеется стандартный EU штепсель, который нужно включить в правильно установленную розетку. Эта розетка, как и все системы под „высоким напряжением” на борту, должна быть установлена квалифицированным электриком, для выполнения требований инструкции по безопасности. В токовом круге водонагревателя должен быть встроенный электрический предохранитель для силы тока 10А при мощности нагревателя водонагревателя до 2000W. Водонагреватель в соответствии со стандартами в этой области. Береговая электрическая система, установленная на борту, должна включать и замкнутый контур заземления.

Когда оставляете лодку на более длительный период, всегда вынимайте кабель из розетки. Это нужно делать, даже если береговая электрическая система выключена, так как могут существовать различия в электрической системе между землей и заземлением на борту. Это может серьезно повредить водонагреватель или его нагреватель.

Установка изоляционного преобразователя в береговом электрическом оборудовании исключает риск гальванической коррозии через береговое электрическое соединение.

Всегда выключайте из розетки и/или прерывайте и отсоединяйте береговую электрическую цепь, перед тем как снять крышку водонагревателя. Электрическая цепь контролируется при помощи термостата с настройкой 75 °C / 167 °F и второго предохранителя от перегрева (термовыключатель), настроенный на 96 °C / 205 °F. Если второй термический предохранитель активируется, его нужно перенастроить вручную. Это осуществляется нажатием на небольшую кнопку в верхней части термовыключателя. Это выполняется только после устранения причины, вызвавшей выключение термовыключателя. Смотри часть 6.2

Принципиальная электрическая схема

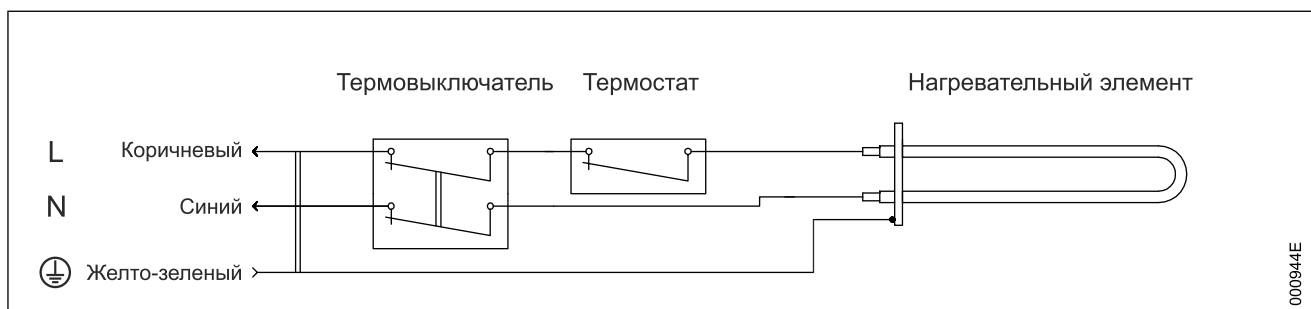


Рис. 8

5. Включение / тестирование

Наполните бойлер - включите водный насос и откройте кран горячей воды, чтобы позволить воздуху выйти через шланги и/или трубы.

Проверьте клапан для слива на вентиле давления, нажимая на рычажок. Вода войдет в шланг для слива. Убедитесь, что шланг для слива не заблокирован или закупорен. Верните рычажок в положение закрыто.

Включите двигатель, чтобы проверить циркуляцию охладителя. Необходимо будет добавить

охлаждающей жидкости в систему, чтобы компенсировать дополнительный объем теплообменника и шлангов. Перед тем как окончательно соединить шланги, проверьте наличие воздуха в них, поднимая и снимая шланги, чтобы выпустить из них воздух.

Под конец включите штепсель в розетку и включите разъединитель.

Проверьте исправность работы прибора.

6. Поддержка

6.1 Механизм для понижения давления / Предохранительный клапан

Механизм для понижения давления (предохранительный клапан) следует регулярно приводить в действие (Фиг. 9), чтобы очистить известковые отложения и проверить, не заблокирован ли он.

6.2 Слив зимой.

Когда существует риск замерзания, воду из бака нужно слить.

Это происходит следующим образом: шланг горячей воды следует вынуть или открыть винт для выпуска воздуха, смонтированный на смесительном вентиле, если установлен. Открутите воздушный винт полностью и откройте выпускной вентиль, поворачивая черный рычажок по направлению против часовой стрелки.

Если двигатель охлажден при помощи необработанной воды, теплообменник нужно также слить, при этом освободить шланг и змеевик продуть воздухом. Теперь бак можно безопасно оставлять зимой на лодке.

Когда лодка оставляется на более длительный период, рекомендуется выключить прибор из штепселя, для предотвращения риска остаточного электричества береговой электрической системы.

6.3 Ремонт/рестарт термовыключателя

Предупреждение: Проверьте, выключили ли вы электропитание заранее!

Нагреватель 200V/750W. Термостатное оборудование включает встроенный термостат и второй защитный термовыключатель от перегрева. Термовыключатель се запускается повторно вручную нажатием кнопки в верхней части термовыключателя (см. Рис. 10). Выключите электрическое питание! Выньте штепсель из розетки. Снимите переднюю пластиковую крышку (2 винта Basic, 4 винта Slim и 3 винта Square). Обязательно проверьте, почему задействовался термовыключатель, и устраните причину. Запустите повторно термовыключатель.

Замена термостата и термовыключателя. После того как отметите их позиции, снимите кабельные башмаки. Концы сенсоров термостата установлены в трубке на фланце, к которому прикреплен и нагреватель. Выдерните их. Отверните винты, прикрепляющие термостат и гайку, прикрепляющую термовыключатель. Монтируйте новое комплектование в обратном порядке. Убедитесь, что концы сенсоров правильно установлены в трубу. Первым (глубже в трубу) входит сенсор термостата и вторым – сенсор термовыключателя.

Когда оставляете лодку на более длительный период, рекомендуется выключать штепсель из розетки. Это нужно делать, даже если береговая электрическая система выключена, так как могут существовать различия в электрической системе между землей и заземлением на борту. Это может серьезно повредить водонагреватель или его нагреватель.

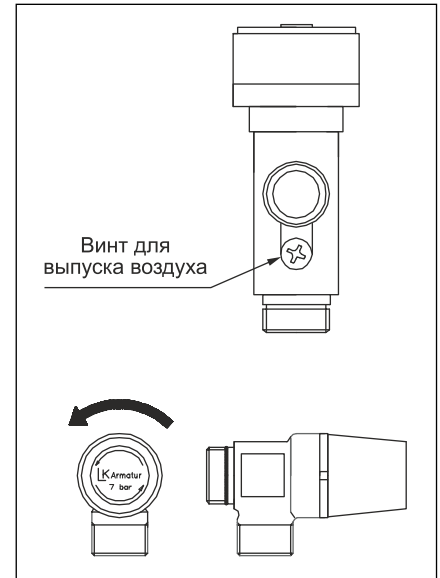


Рис. 9

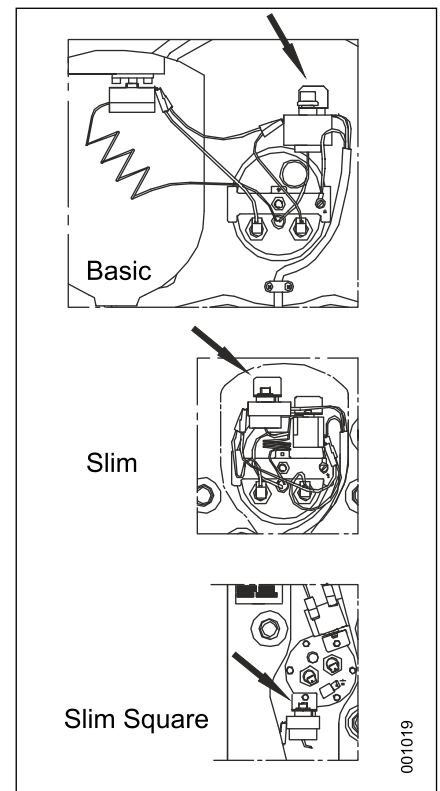


Рис. 10

6.4 Замена нагревателя

**Предупреждение! Проверьте, выключили ли вы электрическое питание заранее.
Слейте воду из водонагревателя.**

Basic и Slim

Снимите пластиковую крышку: Basic - отверните оба винта с обеих сторон и нажмите на крышку вниз; Slim - отверните четыре винта и удалите крышку. Для более удобного доступа в модели Slim снимите термостат и термовыключатель. В модели Basic они могут оставаться на месте во время ремонта. Снимите кабели с клемм нагревателей. Отпустите центральную гайку, Рис. 11-А, и снимите скобу, Рис. 11-В. Установите обратно центральный болт для более удобной работы и более удобного захвата рукой. Нажмите на фланец и резиновое уплотнение вовнутрь, до отделения от бака вместе с нагревателем. Поверните нагреватель на 90° влево, таким образом, чтобы клеммы кабелей указывали вправо.

Поворачивайте прибор, пока внутренний конец коснется бака слева.

Выдерните нагреватель через отверстие левой стороной вперед.

Отверните гайки нагревателя с фланца.

Монтируйте новый нагреватель с новыми уплотнителями и втулками в порядке, обратном описанному выше. Внутренний конец нагревателя должен указывать слегка вниз после монтажа.

Slim Square

Нагреватель модели Square прикреплен к фланцу, а последний прикреплен к баку при помощи 6 болтов. Фланец имеет резиновое уплотнение. Смотри Рис. 11.

В первую очередь отцепите кабели с клемм нагревателя.

Отпустите все 6 болтов таким образом, чтобы нагреватель, вместе с фланцем, можно было выдернуть. Обратите внимание на позицию фланца.

Нагреватель стянут к фланцу при помощи гаек. Открутите нагреватель с фланца. Монтируйте новый нагреватель с новыми уплотнителями и втулками с таким же расположением, как и старого нагревателя.

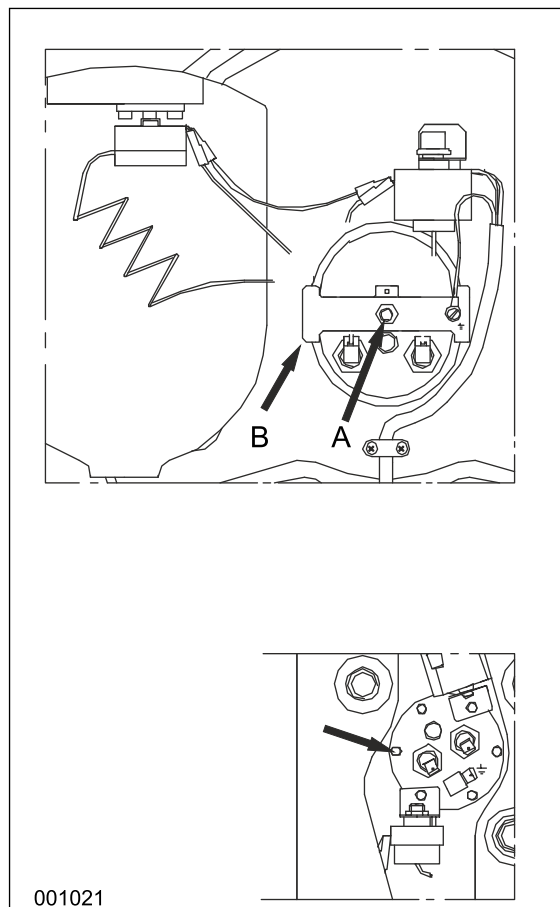


Рис. 11

7. Двойной змеевик, Basic 40 и 75 литров

Водонагреватели с двойным змеевиком имеют выводы для второго змеевика, расположенные также в передней части, рядом с выводами для нормального змеевика. См. Рис. 4
Замена нагревателя производится согласно описанию выше.

8. Технические данные

8.1 Basic

Модель	Вместимость [l]	Вес [kg/lbs]	Нагревательный элемент	Нагревательный элемент (опцион)	Термостатический смесительный вентиль
602431B000000	24	12.5 / 27.5	230V~ 750W	115V~ 750W	-
602431B000003	24	12.5 / 27.5	230V~ 750W	115V~ 750W	X
602431BD000000 (два теплообменника)	24	13 / 29	230V~ 750W	115V~ 750W	-
602431BD000003 (два теплообменника)	24	13 / 29	230V~ 750W	115V~ 750W	X
603031B000000	30	13.5 / 30	230V~ 750W	115V~ 750W	-
603031B000003	30	13.5 / 30	230V~ 750W	115V~ 750W	X
604031B000000	40	15.5 / 34	230V~ 750W	115V~ 750W 115V~ 1200W * 230V~ 1200W *	-
604031B000003	40	15.5 / 34	230V~ 750W	115V~ 750W 115V~ 1200W * 230V~ 1200W *	X
604031BD000000 (два теплообменника)	40	16 / 35	230V~ 750W	115V~ 750W 115V~ 1200W * 230V~ 1200W *	-
604031BD000003 (два теплообменника)	40	16 / 35	230V~ 750W	115V~ 750W 115V~ 1200W * 230V~ 1200W *	X
605031B000000	50	17 / 37.5	230V~ 750W	115V~ 750W 115V~ 1200W * 230V~ 1200W * 230V~ 2000W *	-
605031B000003	50	17 / 37.5	230V~ 750W	115V~ 750W 115V~ 1200W * 230V~ 1200W * 230V~ 2000W *	X
607531B000000	75	24.5 / 54	230V~ 750W	115V~ 750W 115V~ 1200W * 230V~ 1200W * 230V~ 2000W *	-
607531B000003	75	24.5 / 54	230V~ 750W	115V~ 750W 115V~ 1200W * 230V~ 1200W * 230V~ 2000W *	X
607531BD000000 (два теплообменника)	75	25 / 55	230V~ 750W	115V~ 750W 115V~ 1200W * 230V~ 1200W * 230V~ 2000W *	-
607531BD000003 (два теплообменника)	75	25 / 55	230V~ 750W	115V~ 750W 115V~ 1200W * 230V~ 1200W * 230V~ 2000W *	X

* - Нагревательный элемент 1200/2000 W применим только в горизонтальном положении водонагревателя!

Размеры:

Смотри Рис. 12а, 12b

Материал:

Теплообменник, бак и соединения – нержавеющая сталь AISI 316.

Наружные крышки и монтажные скобы – нержавеющая сталь AISI 304

Нагреватель:

Медный, с покрытием из никеля

Изоляция:

Пенополиуретан

Предохранительный вентиль: 7 bar

Размеры Basic 24, 30, 40

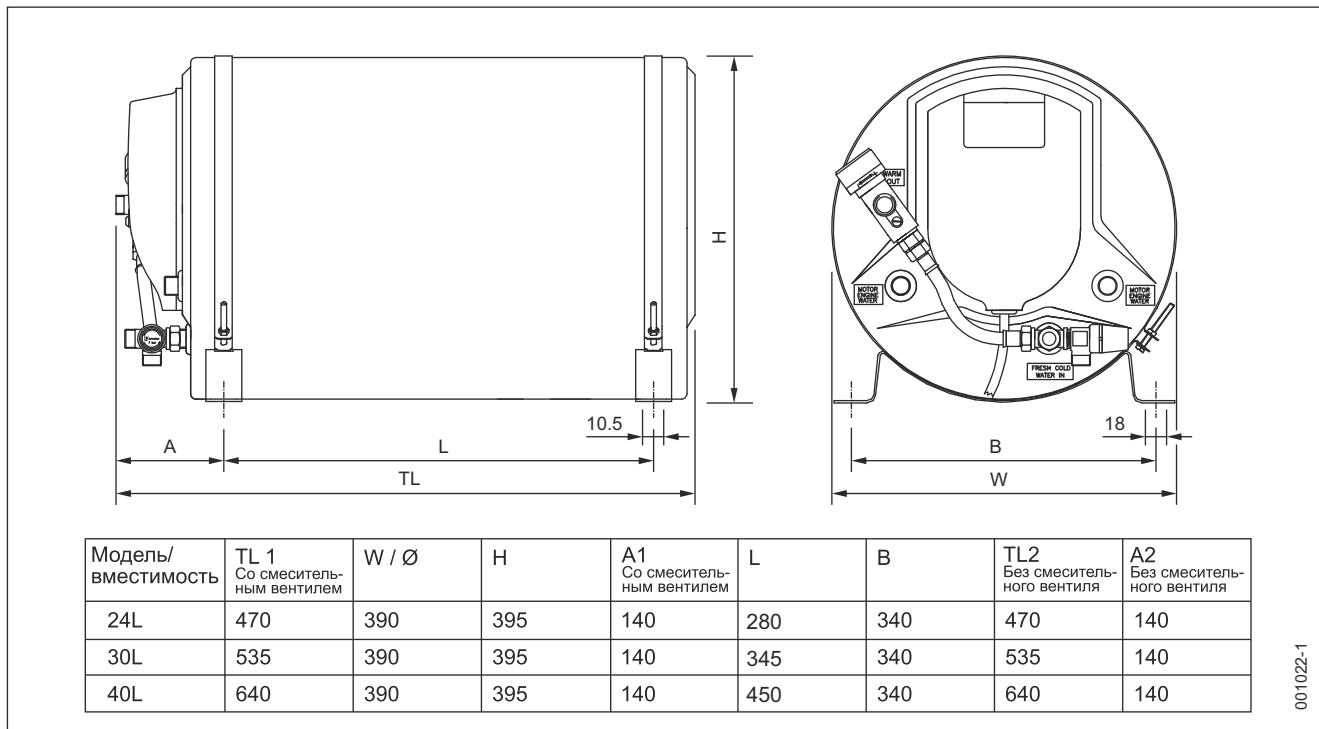


Рис. 12а

Размеры Basic 50, 75

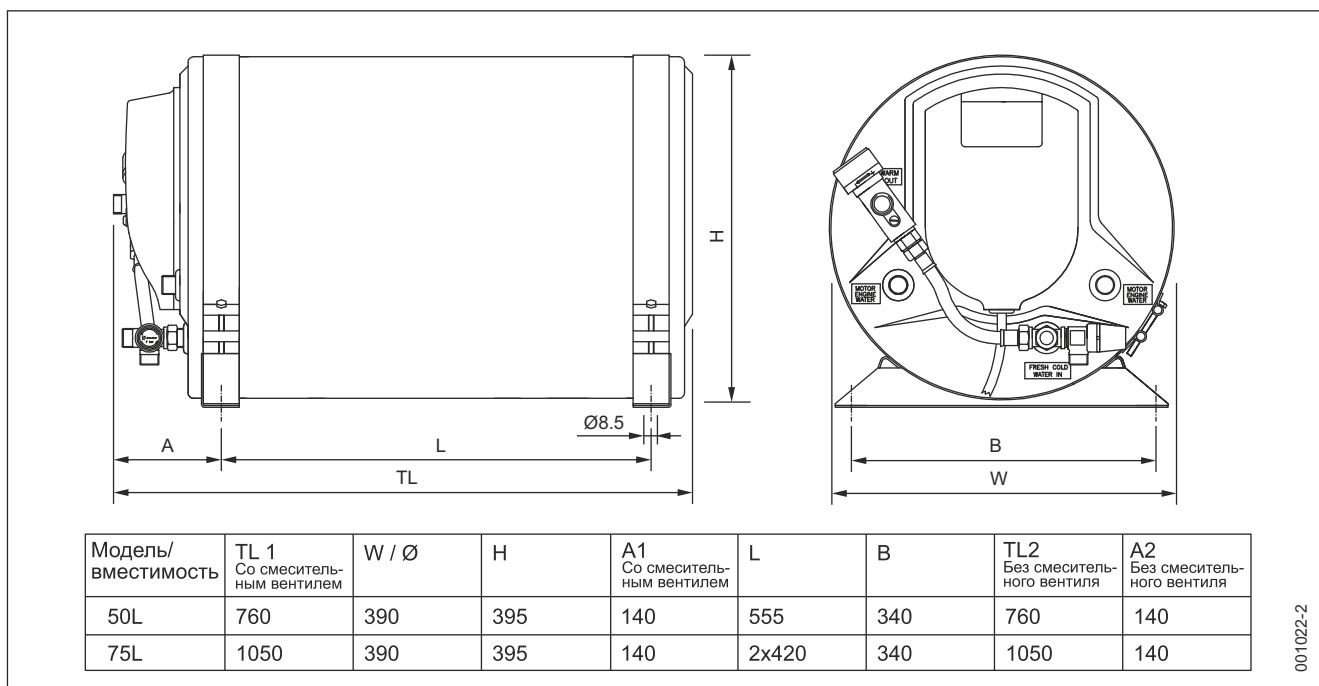


Рис. 12б

8.2 Slim

Модель	Вместимость [л]	Вес [kg/lbs]	Нагревательный элемент	Нагревательный элемент (опцион)	Термостатический смесительный вентиль
601531S000000	15	9	230V~ 750W	115V~ 750W	-
601531S000003	15	9	230V~ 750W	115V~ 750W	X
602031S000000	20	10.5	230V~ 750W	115V~ 750W 115V~ 1200W * 230V~ 1200W *	-
602031S000003	20	10.5	230V~ 750W	115V~ 750W 115V~ 1200W * 230V~ 1200W *	X
602531S000000	25	12	230V~ 750W	115V~ 750W 115V~ 1200W * 230V~ 1200W * 230V~ 2000W *	-
602531S000003	25	12	230V~ 750W	115V~ 750W 115V~ 1200W * 230V~ 1200W * 230V~ 2000W *	X

* - Нагревательный элемент 1200/2000 W применим только в горизонтальном положении водонагревателя!

Размеры: Смотри Рис. 13
 Материал: Теплообменник, бак и соединения – нержавеющая сталь AISI 316
 Наружные крышки и монтажные скобы – нержавеющая сталь AISI 304
 Нагреватель: Медный, с покрытием из никеля
 Изоляция: Пенополиуретан
 Предохранительный вентиль: 7 bar

Размеры Slim

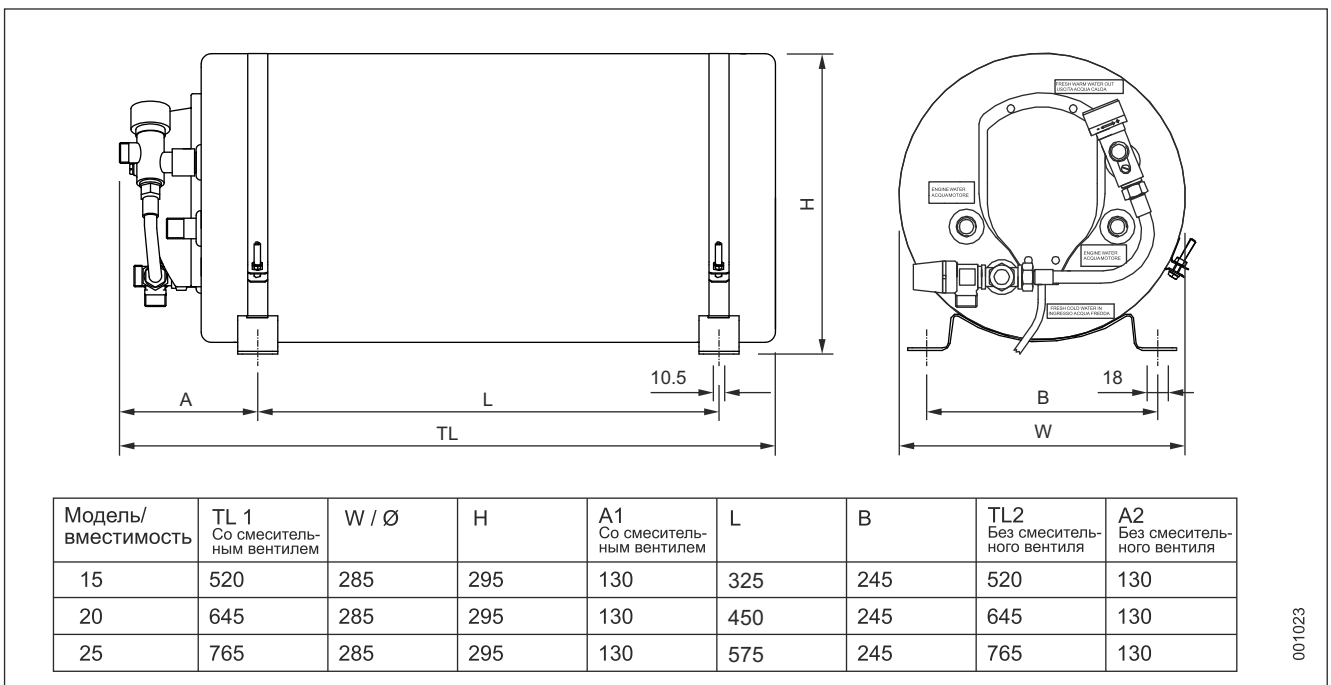


Рис. 13

001023

8.3 Slim Square

Модель	Вместимость [л]	Вес [kg/lbs]	Нагревательный элемент	Нагревательный элемент (опцион)	Термостатический смесительный вентиль
601631Q000000	16	15.5 / 34	230V~ 750W	115V~ 750W	-
601631Q000003	16	15.5 / 34	230V~ 750W	115V~ 750W	X

Размеры: Смотри Рис. 14
 Материал: Теплообменник, бак и соединения – нержавеющая сталь AISI 316
 Наружные крышки и монтажные скобы – нержавеющая сталь AISI 304
 Пластиковые крышки
 Нагреватель: Медный, с покрытием из никеля
 Изоляция: Пенополиуретан
 Предохранительный вентиль: 7 bar

Размеры Slim Square

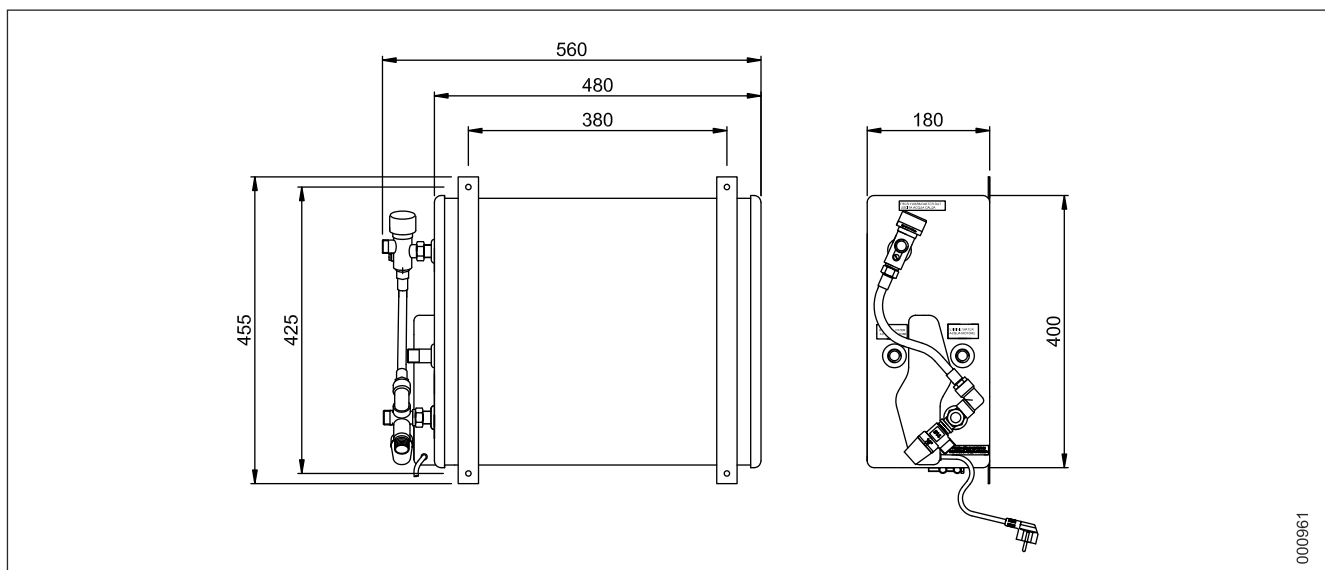


Рис. 14

В случае необходимости и при возникновении спорных ситуаций в связи с переводом и понятиями в этой языковой версии инструкции по установке и использованию, в качестве оригинала и превалярующей следует считать английскую версию.

9. Гарантия от Indel Webasto Marine

Гарантия, предоставляемая Indel Webasto Marine соответствует Директиве 2019/771

9.1 Срок действия

Гарантия всех водонагревателей Isotemp действует в течение 2 лет по отношению к затратам на труд, ремонт и замену, но только если их совершали уполномоченные сервисные центры сети IWM. 5 лет действует гарантия от протечки из внутреннего резервуара или теплообменного витка (затраты на труд не учитываются по истечении первых 2 лет).

Гарантия действует только на водонагреватели, установленные на лодки и не действует на водонагреватели, установленные в транспортных средствах для отдыха или в ином оборудовании, кроме морского.

Срок гарантии начинается:

- а) В день продажи продукта, указанный в чеке или счет-фактуре.
- б) В день продажи, указанный в счет-фактуре или регистрации первой продажи лодки, в котором установлен прибор, если он установлен производителем лодки.
- в) Если не соблюдалось ни одно из вышеперечисленных условий, срок действия начинается с того года и недели производства, указанных в S/N (серийном номере) на этикетке продукта.

Замена продукта или компонента не меняет срок действия.

9.2 Гарантия покрывает:

- Замену или ремонт продукта или одного или более компонентов, признанных производственными дефектами.
- Повреждение или неисправность компонентов в рамках действия гарантии, несмотря на доказанный правильный монтаж и правильную эксплуатацию.
- Труд и проезд, основывающиеся на Порядке эксплуатации в настоящем документе.
- Расходы на отправку продукта на замену (за исключением расходов на растаможку).

9.3 Гарантия не покрывает дефектов или повреждений, наступивших вследствие:

- небрежность, невнимание или неправильная эксплуатация
- неправильный монтаж или неосторожное использование
- неправильное подключение к электросети
- нестандартные кабели
- неправильное обслуживание или обслуживание, проведенное не уполномоченным сотрудником
- не соблюдение указаний в руководстве по эксплуатации
- повреждения при транспортировке
- продукты, установленные в ином месте, кроме лодки
- протечка из водонагревателей, в которых использована не чистая, не пресная вода, или вода имеет высокую электропроводимость или содержит много солей.
- расходы на растаможку
- профессиональное применение
- повреждения вследствие атмосферных факторов
- расходы на демонтаж и/или повторный монтаж оборудования или иных конструкций

9.4 Информация, необходимая для решения покрывается ли конкретный случай гарантией:

- Номер продукта (Type) (указанный на этикетке продукта)
- S/N (серийный номер) (указанный на этикетке продукта)
- Счет-фактура, расписка или документ о регистрации (см. Пункт касательно срока действия)
- Тип лодки
- Подробное описание повреждения. (Если возможно, прикрепить фотографии)
- Описание монтажа. (Если возможно, прикрепить фотографии)

(Если окажется, что гарантия не покрывает конкретного случая, клиент должен заплатить расходы на зветуальный ремонт, замену, труд, проезд и транспортировку. IWM не обязуется покрывать все расходы.)

9.5 Правила действия, в случае, если гарантия покрывает конкретный случай:

Гарантийное обслуживание должно проводиться только центрами, сертифицированными компанией IWM (см. список на вебсайте www.indelwebastomarine.com).

Компания IWM не покрывает расходы на обслуживание, проводимое другими лицами.

Техник сервисного центра, сертифицированный IWM, поднимается на борт, если лодка находится на расстоянии не более 100 км от сервисного центра. IWM покрывает проезд. Если лодка находится на расстоянии более 100 км от сервисного центра, собственник может выбрать оплатить ли технику за проезд (оплачивается напрямую технику) или подвинуть лодку поближе.

IWM не возмещает суммы на запчасти, купленные не у IWM или не у официального дистрибьютора IWM.



indel
Webasto
Marine

Indel Webasto Marine Srl
Via Montefeltro, n° 118/c - Secchiano
47863 - Novafeltria (RN) - ITALY
Tel. +39 0541 848030
E-MAIL: info@indelwebastomarine.com
WEB: www.indelwebastomarine.com

v221018