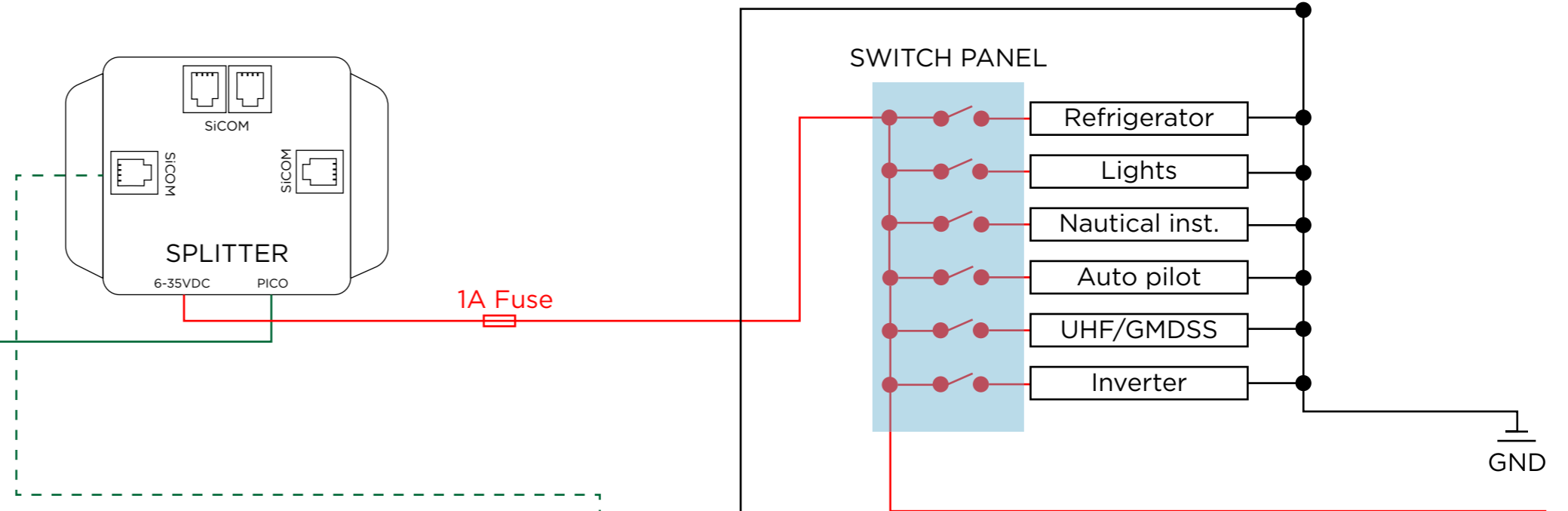


Basic Wiring Diagram for the SC303

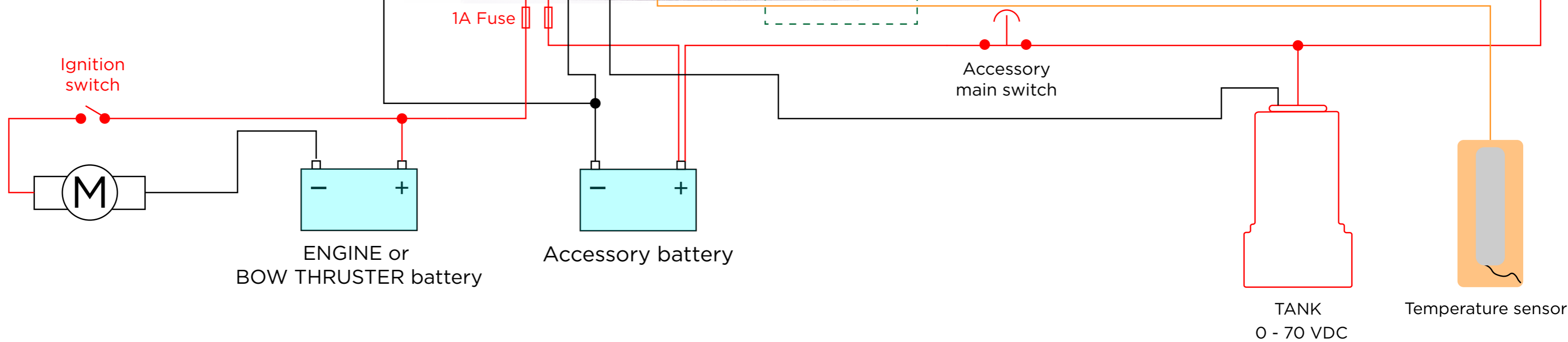


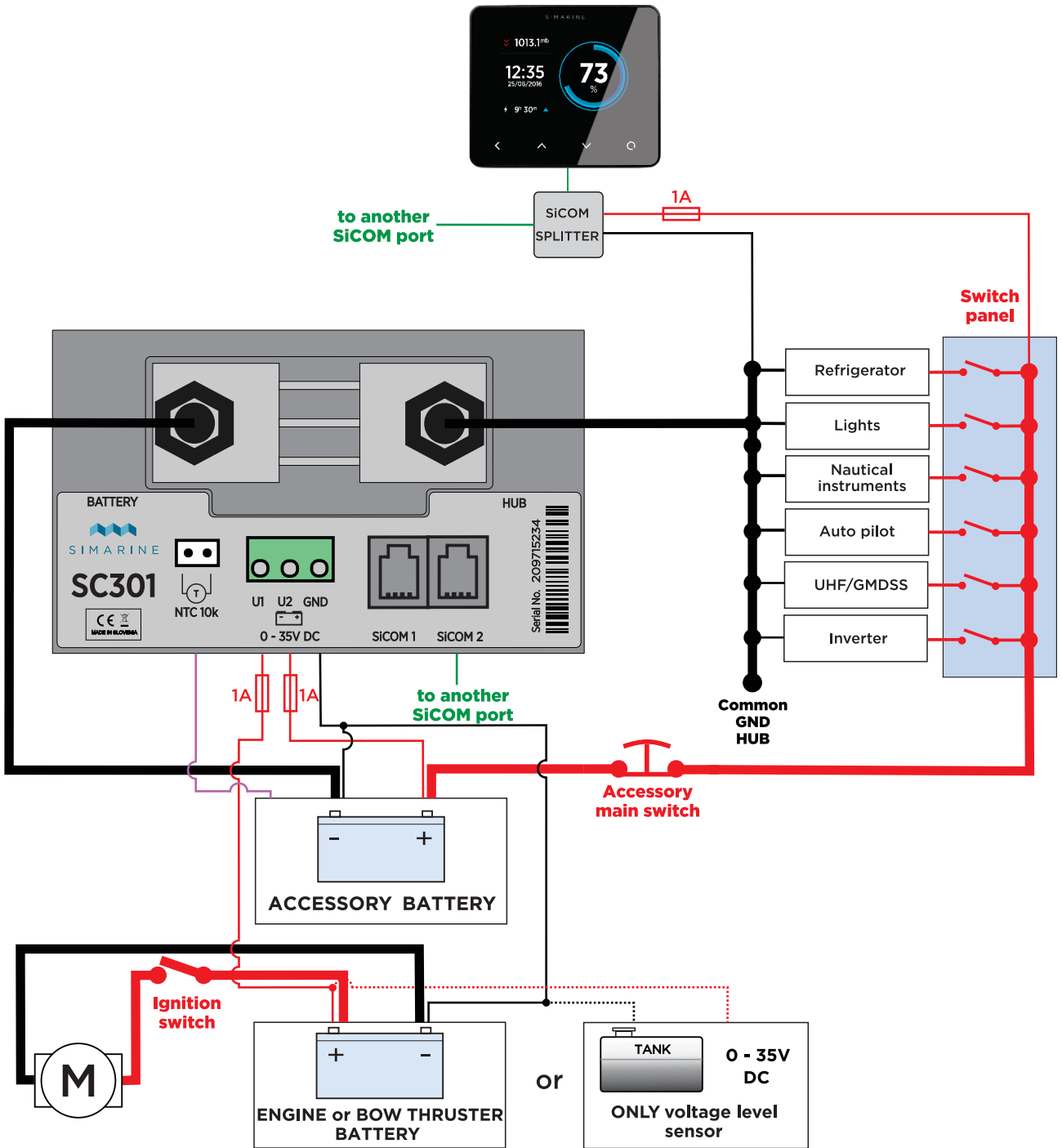
Note

- Positive
- Negative
- Data
- NTC

- Motor
- GND** Ground

- SIMARINE components used:
- PICO / Caravan Panel
 - SC303
 - SPLITTER
 - Temperature sensor





Note:

- +
- -
- data
- temperature