


Technical specifications

Display	
Resolution	800 x 480
Viewing angles in degrees	80° top/bottom/left/right
Electrical	
Supply voltage	12 V DC (10.8 - 18 V DC)
Power consumption (max)	3.48 W (290 mA at 12 V DC)
Recommended fuse rating	3 A
Environmental	
Operating temperature range	-15°C to 55°C (5°F to 131°F)
Storage temperature	-20°C to 60°C (4°F to 140°F)
Waterproof rating	IPX7
Interface/Connectivity	
Sonar	1 port (SplitShot and TripleShot compatible)
Card reader	1 slot (microSD® 32 GB maximum)
Physical	
Dimensions	Refer to dimensions section in this document
Weight (display only)	0.46 kg (1.01 lb)
Mounting type	Panel mount or gimbal mount

Accessories

The following accessories are sold separately and available from your local retailer.

	Suncover	000-16249-001
	Dash gasket kit	000-16253-001

Trademarks

©Reg. U.S. Pat. & Tm. Off, and ™ common law marks. Visit www.navico.com/intellectual-property to review the global trademark rights and accreditations for Navico Group and other entities.

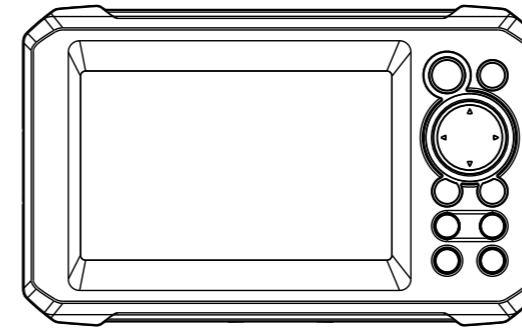
- Navico® is a trademark of Navico Group.
- Lowrance® is a trademark of Navico Group.
- EAGLE® is a trademark of Navico Group.
- SD® and microSD® are trademarks of SD-3C, LLC.



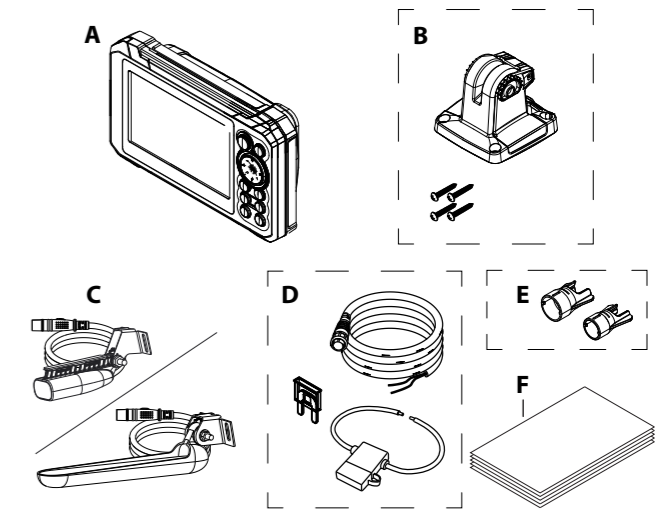
www.lowrance.com

LOWRANCE®

EAGLE® 5 Installation Guide and Mounting Template

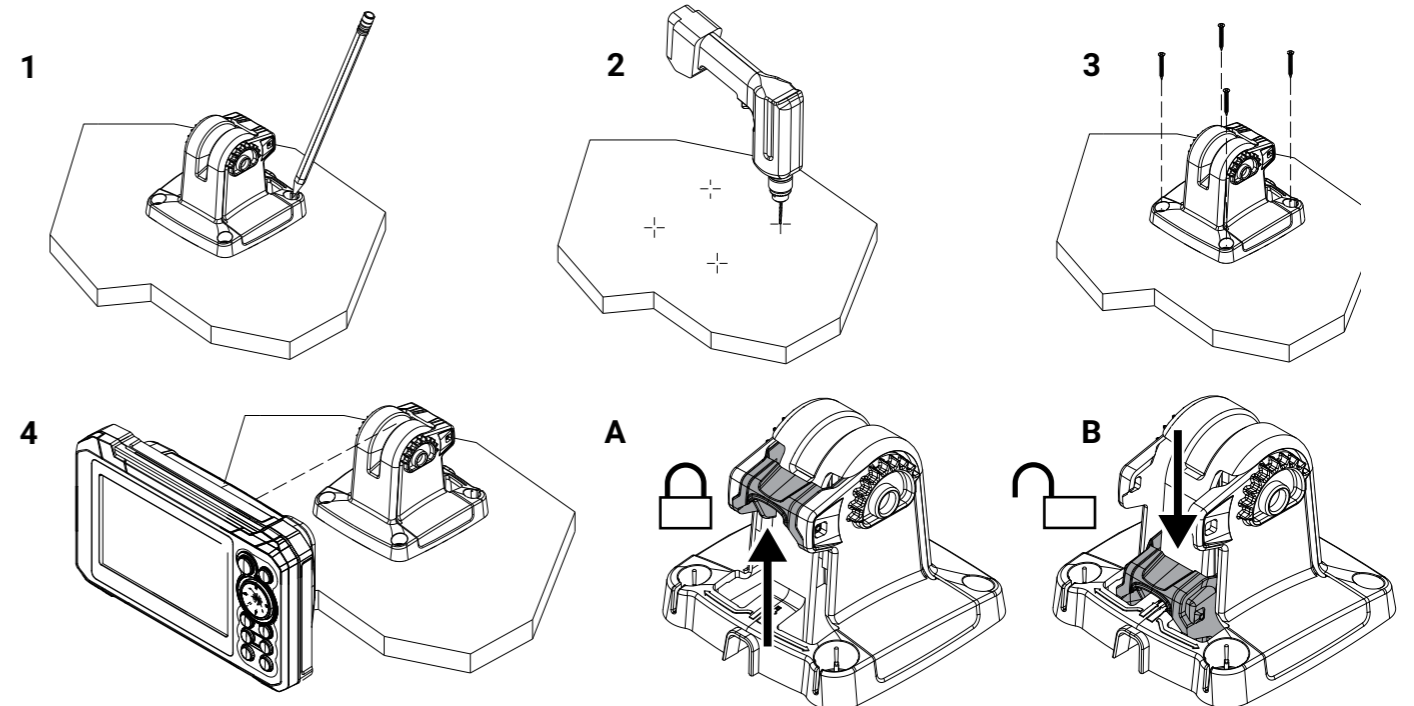


In the box



- A EAGLE 5 display unit
- B Gimbal kit
- C SplitShot or TripleShot skimmer transducer
- D Power cable kit
- E Cable lock collars
- F Documentation pack

Gimbal mounting

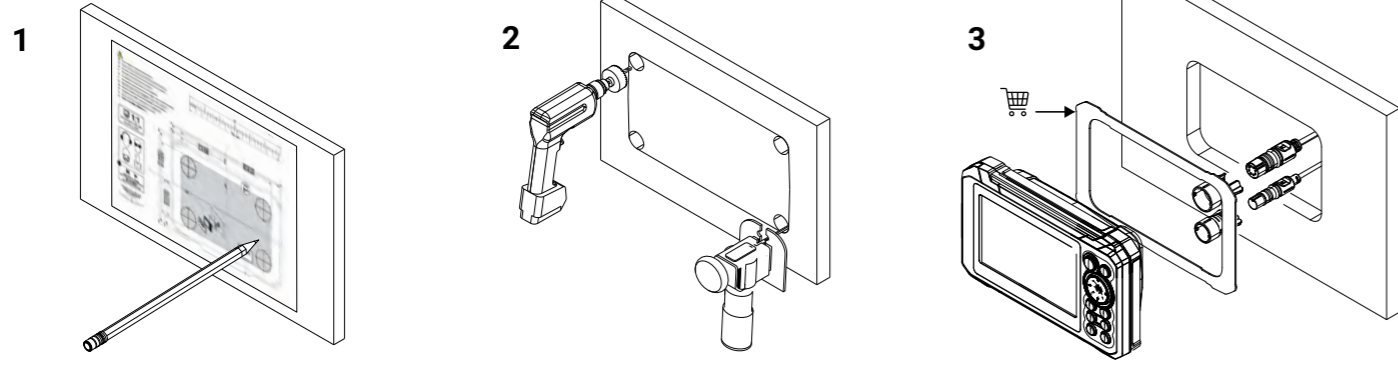


WARNING: Always wear appropriate eyewear, ear protection, and dust mask when drilling, cutting, or sanding. Remember to check the reverse side of all surfaces whenever drilling or cutting.

Recommended pilot holes

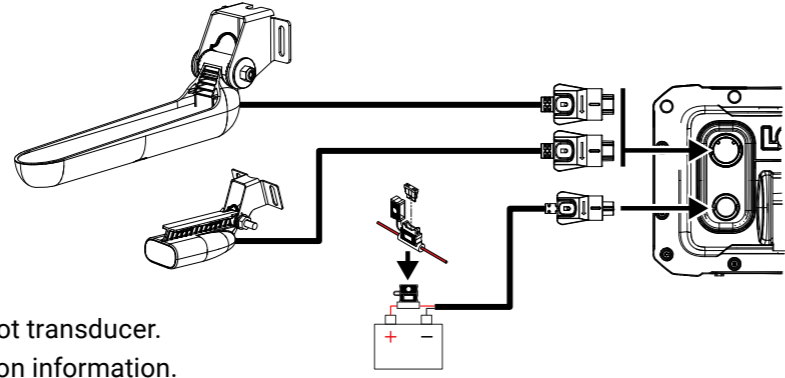
Soft/hard materials \varnothing 3.8 – 4.8 mm (3/16")

Panel mounting



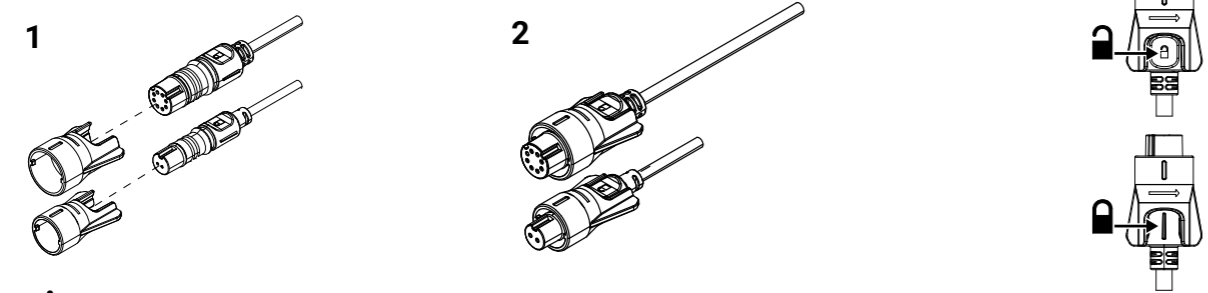
WARNING: Panel mounting may affect GPS performance.

Wiring

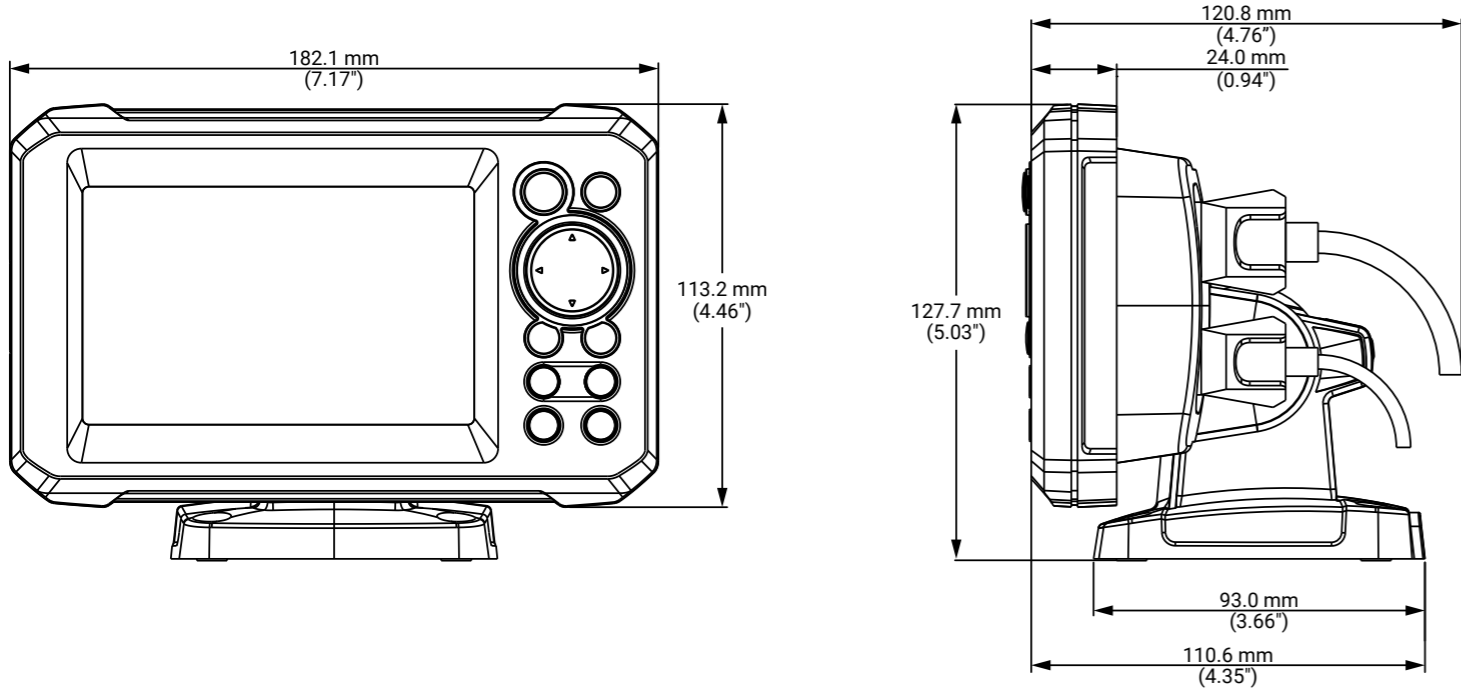


- Note:**
- Connect either a SplitShot or TripleShot transducer.
 - Refer to included transducer installation information.

Cable lock collar



Dimensions



Do not resize this mounting template if printing.

Ändern Sie beim Ausdrucken nicht die Größe dieser Montagevorlage.

No cambie el tamaño de esta plantilla de montaje si va a imprimirla.

Älä muuta kiinnitysmallin kokoa tulostettaessa.

Ne redimensionnez pas ce gabarit en cas d'impression.

Non cambiare le dimensioni della dima di montaggio nel caso si decida di stamparla.

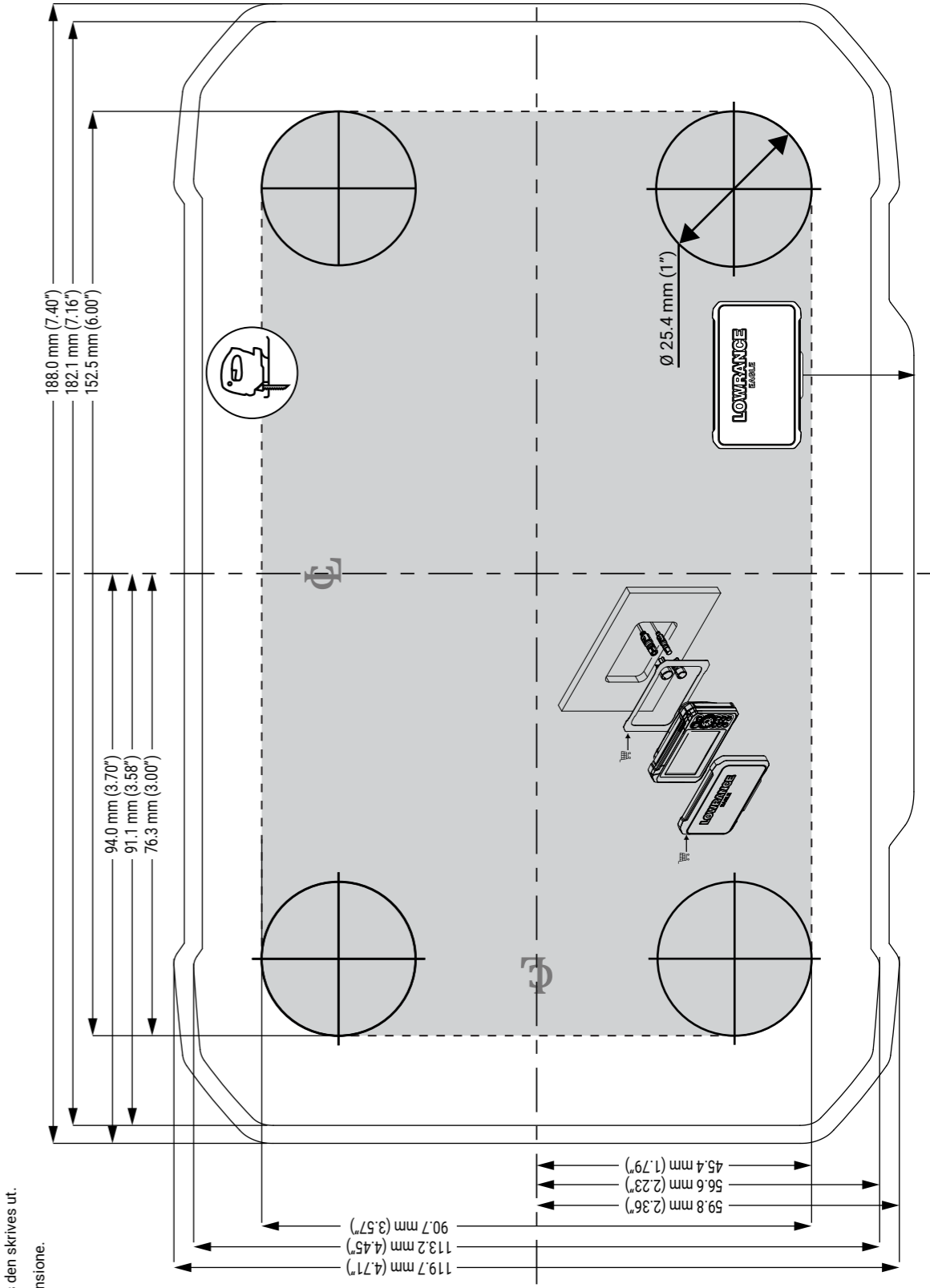
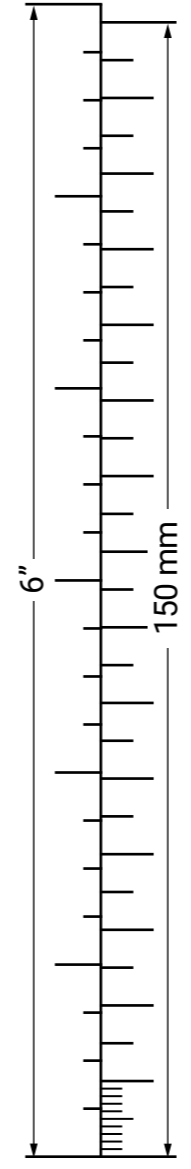
Pas het formaat van deze montagesjabloon niet aan als u hem afdrukt.

Ikke endre størrelsen på denne monteringsmalen hvis den skrives ut.

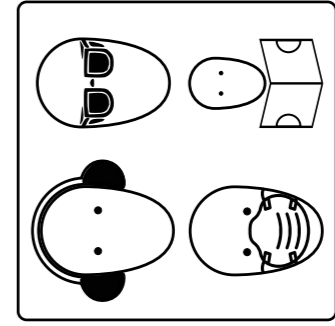
Se imprimir este modelo de montagem, não o redimensione.

Ändra inte storlek på monteringsmallen vid utskrift.

如果打印, 请勿调整此安装模板的大小。



1:1
A3: 420 mm x 297 mm
(16.54" x 11.69")



* Suncover sold separately
Capot de protection d'écran vendu séparément
SKU: 000-16249-001

* Dash gasket sold separately
Joint de tableau de bord vendu séparément
SKU: 000-16253-001
www.lowrance.com/dealer-locator

Maximum curve of the dash
Courbe maximale du tiret
0.5 mm (0.02")