



a xylem brand

Quiet Flush E2

INSTALLATION & OPERATING MANUAL

- FR** Quiet Flush E2 – Toilette Électrique
MANUEL D'INSTALLATION ET D'UTILISATION
 - DE** Quiet Flush E2 – Elektrische Toilette
INSTALLATIONS- UND BEDIENUNGSANLEITUNG
 - IT** Quiet Flush E2 – WC Elettrico
INSTALLAZIONE E MANUALE D'USO
 - NL** Quiet Flush E2 – Elektrisch Toilet
INSTALLATIE- EN BEDIENINGSHANDLEIDING
 - SE** Quiet Flush E2 – Elektrisk Toalett
INSTALLATIONS- OCH BRUKSANVISNING
 - ES** Quiet Flush E2 – Inodoro Eléctrico
MANUAL DE INSTALACIÓN Y OPERACIÓN
-

PURPOSE OF THIS MANUAL

The purpose of this manual is to provide necessary information for product installation, operation, and maintenance. Electronic versions of this manual, as well as data sheets and other information can be found on:

xylem.com/jabsco

MANUAL CONTENTS	Page
Kit Contents & Pump Mounting.....	3
Installation Instructions.....	4
Controls & Electrics.....	7
Operation Instructions.....	10
Servicing & Winterization.....	11
Spare Parts.....	13
Troubleshooting.....	15
Warranty & Additional Information.....	15-16



Quiet Flush E2 Kit Contents

- Quiet Flush E2 Electric Toilet Assembly
- Seat and Lid
- Touch pad control panel and control box
- Solenoid valve kit (Fresh water version)
- Intake rinse pump kit (Raw water version)
- White 3/4" (19mm) inlet hose, 6ft (1.8m)
- 1" (25mm) > 1.5" (38mm) hose adaptor
- Installation & Operating Manual
- Datasheet
- Warning Label Kit

Mounting Configuration Options:

The Quiet Flush E2 can be mounted in multiple configurations to enable rear facing discharge pipework routing. The toilet base can be mounted in 90° increments allowing the base to be mounted to the left, right or rear of the bowl. The discharge pump can be rotated 180° to allow for rear discharge pipework routing.

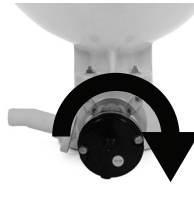
To rotate discharge pump



Loosen base shroud screw, remove base shroud and motor cover.



Lift C-clip to release discharge pump



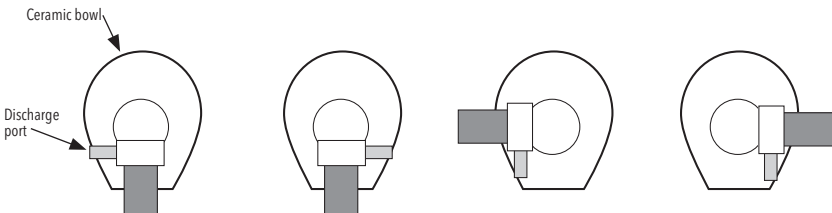
Rotate pump/motor, reinsert C-clip to resecure discharge pump



Discharge rotation completed

To rotate toilet base

- Remove toilet base to bowl mounting nuts, washers and bolts
- Rotate bowl in 90° increments to desired mounting position
- Re-install base to bowl mounting nuts, washers and bolts (ensure bowl to base o-ring is located correctly before refitting)
- Tighten nuts to 4Nm (2.9 ft-lb)



Applications

Jabsco Quiet Flush electrically operated marine toilets can be installed in both power and sailing craft, either above or below the waterline, for use on sea, river, lake or canal.



CAUTION: Jabsco electrical toilets are designed specifically for marine use. Consult Jabsco for advice about possible non-marine applications.

A typical installation may discharge the waste either overboard (provided that your national and local regulations allow this), or into a treatment system or into an on-board holding tank (U.S.C.G. Marine Sanitation Devices Type I, II and III).

Installation Instructions

The toilet is just one part of a system. Correct installation of the whole system is essential if you want the toilet to perform properly, operate reliably and safely, and give satisfactory length of life.

Location

- Select a location that will give sufficient clearance all round and above the bowl.
- The mounting surface must be flat, rigid and strong enough to support the weight of both the toilet and user. Ensure the surface is at least 2" (50mm) wider and 2" (50mm) deeper than the base of the toilet and pump assembly.
- Ensure there is sufficient clearance below the mounting surface to be able to secure the mounting bolts, and to be able to remove them for maintenance.
- Offer up the seat and lid to the bowl. They should be able to swing up and over, so that they will not fall forward when the craft heels or pitches. When they are swung over they must be supported so that the hinges are not strained. Remove the seat and lid and put them aside until the installation is complete.

Mounting

Hardware Requirements:

- 3 x 5/16" (8mm) diameter stainless steel bolts or lag bolts of length to suit the thickness of the surface mounting
- 3 stainless steel nuts, preferably self-locking. If you do not use self-locking nuts you will need some nut-locking compound.
- 6 stainless steel 5/16" (8mm) washers, 3 under the bolt heads and 3 under the nuts if used.
- A tube of white silicone sealant.

- Offer up the toilet in the selected position and, using the holes in the base as a guide, mark the positions for the 3 bolt holes on the mounting surface. Remove the toilet and drill 3 vertical holes of 5/16" (8mm) diameter through the mounting surface.

- Now complete all of the rest of the installation before you secure the bowl.

Through-Hull Fittings

Hardware Requirements:

- 3/4" (19mm) bore seacock for the rinse pump and, if you are discharging the waste over board, a 1" (25mm) bore seacock for the waste outlet. An additional 1" to 1-1/2" (25mm to 38mm) adapter is supplied with the toilet.
- Follow the seacock manufacturer's own instructions concerning materials and methods of installation.
- Ensure the inlet seacock is positioned where it will be below the waterline at all times when the craft is underway, and also ensure that any other outlet seacock is both aft of, and higher than, the inlet seacock.



HAZARD RISK: Through-Hull Fittings - FOLLOW THESE INSTRUCTIONS!

If the installation of the toilet results in it being connected to ANY through-hull fitting that may possibly be below the waterline at ANY time, whether when the craft is at rest, underway and heeling or rolling or pitching, you must install the toilet in accordance with these Installation Instructions. If you do not, water may flood in, causing the craft to sink, which may result in loss of life.

**HAZARD RISK: Accidental Damage - USE SEACOCKS!**

If the toilet is connected to ANY through-hull fittings and if the toilet or pipework is damaged, water may flood in causing the craft to sink, which may result in loss of life. Therefore, if you are making connections between the toilet and ANY through-hull fittings that may possibly be below the waterline at ANY time, full bore seacocks must be fitted to those hull fittings, to allow them to be shut off.

The seacocks MUST also be positioned where they are easily accessible to all users of the toilet. If, for any reason, it is not possible to do this, then secondary bore marine quality valves MUST be fitted to the hoses where they are easily accessible.

**HAZARD RISK: Bowl Rim Below Waterline - USE VENTED LOOPS!**

If the toilet is connected to ANY through-hull fittings, and if the rim of the bowl falls below the waterline, water may flood in causing the craft to sink, which may result in loss of life.

Therefore, if the rim of the toilet is less than 8" (20cm) above the waterline when the craft is at rest, or if there is ANY possibility that the rim of the bowl may be below the waterline at ANY time, a ventilated anti-syphon loop MUST be fitted in any pipework connected to a through-hull fitting, irrespective of whether inlet or outlet.

SPECIAL NOTE 1: The smaller bore inlet pipework is more hazardous than the larger outlet pipework.

Unless there is a ventilated anti-syphon loop in the inlet pipework, water will flow into the bowl whenever both the inlet seacock is open and the rim of the bowl is below the actual waterline.

SPECIAL NOTE 2: Making a loop in the hose without fitting a vent may be just as hazardous as no loop at all, because water may syphon over a loop. It is the vent that actually prevents the syphon.

Pipework - General Instructions for All Options

Hardware Requirements:



NOTE: Total discharge head should not exceed 4 feet (1.2m). To retain water in the bowl, the discharge hose should be looped upward about 8 to 10" (20-25cm) above the base of the toilet and as near to the toilet as can be practically accomplished without creating an unsightly plumbing situation.

- Spiral reinforced smooth bore flexible hoses for both the 3/4" (19mm) inlet and the 1" (25mm) or 1.5" (38 mm) outlet pipework. Toilet supplied with 1" (25 mm) to 1.5" (38 mm) adaptor
 - Two stainless steel worm-drive hose clips for every hose tail connection.
 - Secure the hose runs so that the hoses cannot move and chafe, and so that they do not exert any leverage on the hose tail fittings to which they are connected, as this may cause adjacent joints to leak.
 - Avoid sharp bends in the hoses as this may cause them to become kinked.
 - Keep all pipework runs as straight and as short as possible, avoiding rising and falling over obstructions which creates airlocks.
 - If it is difficult to fit the hose onto the hose tails of the toilet or seacocks, lubricate it with water, or soften the hose by dipping the end in hot water.
-



CAUTION: Do not apply flame to the hose. Do not apply flame or heat to the plastic hose tails on the toilet, rinse pump or solenoid valve. Do not use oils, greases or synthetic lubricants. Do not apply sealing compounds to any hose connections. Do not over tighten hose clips. Any of these actions may result in cracking or breakage of the plastic parts.

- Secure the ends of all hoses to the hose tails with two stainless steel worm-drive hose clips, ensuring that all inlet connections are airtight and that all the outlet connections are water tight.
-

Fresh Water Rinse Pipework

Hardware Requirements:

- A 'T' piece that fits your boat's pressurized water system pipework with a 1/2" (13mm) nipple going to the solenoid valve.



CAUTION: Turn off power to the water pressure system pump, and open cold water faucet to depressurize the system.

- Install a 'T' fitting in the pressurized cold water pipework near to the toilet to provide a 1/2" (13mm) feed to the solenoid valve.



CAUTION: If you ever connect your water system to unregulated USA city water supplies, you MUST fit or use a pressure regulator to prevent risk of flooding.

- The solenoid valve should be mounted to a suitable secure surface using the supplied mounting plate in a dry position. The valve can be mounted in any orientation.
- Install suitable pipework between the 'T' fitting and the 1/2" (13mm) inlet port on the solenoid valve.
- Run 3/4" (19mm) hose by the most direct route from the 3/4" (19mm) outlet port on the solenoid valve to the rinse intake elbow.



CAUTION: Pipework - Selection of Correct Method

You MUST select the correct method for the inlet pipework from 2 options and for the outlet pipework from 4 options, according to whether the toilet is above or below the waterline, and to whether it discharges the waste overboard or into an on-board holding tank.

Raw Water Rinse Pipework - 2 Options

- Install the raw water rinse pump in a dry position close to the toilet where it will not be more than 6ft (2m) above the heeled waterline at any time.
- Fit the Pumpguard™ supplied to the inlet of the rinse pump.
- For more detail refer to the separate data sheet supplied with the rinse pump.

Option 1: Toilet below the heeled waterline

- You MUST fit a 3/4" (19mm) vented loop fitting, Jabsco part number 29015-0000.
- Run 3/4" (19mm) hose by the most direct route from the inlet seacock to the inlet of the Pumpguard™ fitted to the rinse pump.



CAUTION: Do not position the ventilated anti-siphon loop between the inlet seacock and the rinse pump, because it may prevent the rinse pump from priming.

- Arrange a length of 3/4" (19mm) hose between the rinse pump outlet and the rinse intake elbow to form an anti-siphon loop whose highest point is at least 8" (20cm) above the highest possible waterline, and fit the 3/4" (19mm) vented loop at the highest point.

Option 2: Toilet always above the heeled waterline

- Run 3/4" (19mm) hose by the most direct route from the inlet seacock to the inlet of the Pumpguard™ fitted to the rinse pump.
- Run 3/4" (19mm) hose by the most direct route from the outlet of the rinse pump to the rinse intake elbow.

Discharge Pipework - 4 Options

Option 1: Toilet below the waterline and discharging overboard

- A 1" (25mm) or 1.5" (38mm) vented loop MUST be fitted, Jabsco part number 29015-0020 1" (25mm) or 29015-0010 1.5" (38mm).
- Run the outlet hose from the non-return valve assembly to form a loop which is at least 8" (20cm) above the highest possible waterline, and fit the vented loop at the highest point

Option 2: Toilet always above the heeled waterline and discharging overboard

- Run the outlet hose from the non-return valve assembly down to the outlet seacock by the most direct route.

Option 3: Toilet discharging into holding tank AND top of holding tank above non-return valve at any time

- A 1" (25mm) or 1.5" (38mm) vented loop MUST be fitted, Jabsco part number 29015-0020 1" (25mm) or 29015-0010 1.5" (38mm).
- If there is ANY possibility that the discharge non-return valve assembly may be below the top of the tank at ANY time, a ventilated anti-syphon loop must be fitted in the outlet pipework to ensure that the contents of the tank do not syphon out through the bowl.
- Arrange the outlet hose to form a loop which is at least 8" (20cm) above the highest possible level that the top of the tank may reach, and fit the vented loop at that highest point.

Option 4: Toilet discharging into holding tank, AND non-return valve always above the top of holding tank

- Run the outlet hose by the most direct route from the non-return valve assembly down to the holding tank inlet.



NOTE: Ensure all pipework is arranged so that when the base, bowl and pump are installed, the hoses can easily be attached to the inlet elbow and discharge port.

Controls and Electrics

- The control box MUST be connected either directly to the battery or to a primary distribution board with sufficient spare amperage capacity.
- Keep the total length of both the positive and negative wires to a minimum, selecting your wire size from the Electrical Specifications table (page 8).



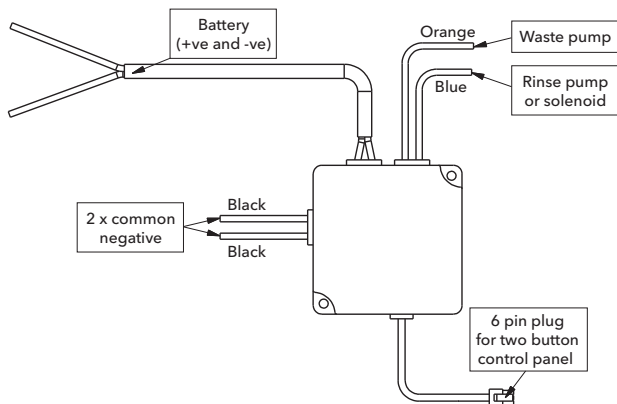
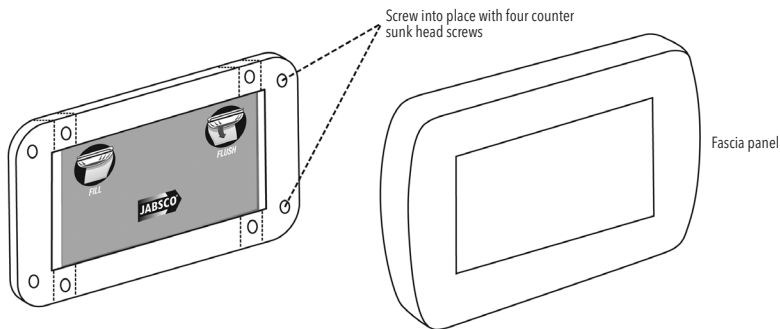
CAUTION: Inadequate wire size will result in voltage drop, and will reduce performance.

- Make all joints with appropriately rated marine grade terminal blocks and crimp connectors.
- Use marine grade multi-strand copper wire.
- Support all wires approximately every 18" (45cm) with plastic cable clips.
- Fit the correct size of fuseholder or circuit breaker, selected from the Electrical Specifications table.
If you connect the control box directly to the battery, fit your fuseholder or circuit breaker within 7" (17cm) of the battery.



CAUTION: Remove fuse, or turn circuit breaker off, while installing controls and electrics.

- Select a position for the Control Panel that is convenient for both standing and seated users, and which allows you to run the 10ft (3m) control cable to the toilet.
 - To use the Jabsco Fascia Panel provided, drill a 5/8" (16mm) hole for the 6 way control cable connector. Screw the control panel onto selected location with suitable counter sunk head screws. Clip on fascia panel.
 - Slide the Heat Shrink Sleeve over the control cable. Plug in the 6 way control cable to the toilet, and carefully use a hot air gun or hairdryer to seal the Heat Shrink Sleeve over the 6 way connector.
Fix the Control Box in a dry but accessible position close to the Flush pump.
-



- Connect the boat's positive (+) feed to the red DC supply (+) input lead of the control box, and your boat's negative (-) return to the black DC supply (-) output lead of the control box.
- Connect the orange (+) output lead of the control box to the red (+) input lead of the flush pump motor. Connect the black (-) lead of the flush pump to one of the common negative leads on the control box.
- Either connect the blue (+) output lead of the control box to any terminal of the solenoid valve or to the red (+) input lead of the raw water rinse pump.
- Either connect the remaining terminal of the solenoid valve or the black (-) output lead of the rinse pump to one of the common negative (-) leads on the control box.

ELECTRICAL SPECIFICATIONS

Voltage	Amp Draw	Fuse/Breaker	Wire size AWG (mm ²) per foot (meter) of length*			
			0 - 13 ft (0 - 4 m)	13 - 20 ft (4 - 6 m)	20 - 40 ft (6 - 12 m)	40 - 60 ft (12 - 18 m)
12 Vdc	20	25 Amp	14 AWG (2.5 mm ²)	12 AWG (4 mm ²)	10 AWG (4 mm ²)	8 AWG (6 mm ²)
24 Vdc	10	15 Amp	16 AWG (2.5 mm ²)	16 AWG (2.5 mm ²)	14 AWG (4 mm ²)	12 AWG (4 mm ²)

*Wire length is the total distance from the battery to the flush pump and back to the battery.

Securing the Toilet Base & Installation of Motor Support

Note: To help with the installation, the discharge pump assembly may be removed prior to completing this task.

Bolt down the toilet base using the selected hardware (page 4). Tighten all fixings securely, if you are not using self locking nut, use nut locking compound.



IMPORTANT: Install Motor Support.

- It is recommended the motor support block is fitted to the mounting surface rather than the motor casing.
 - Ensure the mounting surface is clean and dry,
 - Remove the 3m protective tape, position the support block so that it is directly under the rear section of the motor when connected to the toilet base.
 - Ensure it is located in the center of the motor, approximately 1" (2.5cm) from the rear of the motor casing.
 - The support block must not overlap the rear of the motor casing as this will interfere with the motor cover.
 - Press the support block down firmly to ensure the block adheres to the mounting surface.
 - Connect the discharge pump to the base ensuring the quick release C-clip is securely snapped into place.
 - Connect the discharge hose (if disconnected during base mounting section).
 - Fit the seat and lid using the adjustable fastenings supplied with it.
-

Testing

- Before testing, ensure all connections are secure.
 - Ensure that the battery is fully charged, and that the circuits are live.
 - Turn on fresh water pump for the fresh water toilet or open the seacock for the raw water toilet.
 - Refer to the section – Operating Instructions.
 - To prime the solenoid valve or rinse pump on first installation, operate the 'eco mode' function several times until water flows into the toilet bowl. Thereafter, they are automatically switched by the control panel.
 - Inspect all hose connections and discharge pump assembly, ensure none are leaking. If any leaks are found, check all hose clips are secure, check discharge pump C-clip is fully snapped into toilet base housing.
 - ON COMPLETION – CLOSE BOTH SEACOCKS or turn off fresh water pump.
-



SAFETY: Ensure that this INSTRUCTION MANUAL reaches the owner, skipper or operator of the craft as it contains essential safety information.

Operating Touch Pad Controller

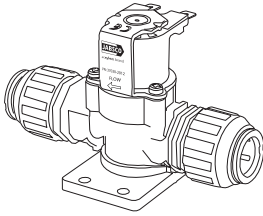
The Quiet Flush toilet range features a multifunction '**one touch**' control pad offering three options:

The Quiet Flush E2 Toilet features a '**one touch**' control pad offering three options – '**eco flush**' and '**normal flush**' and '**dry bowl**'

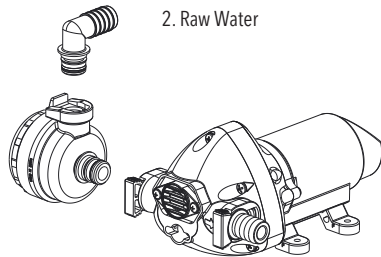
- Press 'eco' or 'normal' to activate flushing cycle. For first use the system will need to be primed. Activate 'eco' or 'normal' function 2-3 times to ensure system is fully primed with water held in the bottom of the bowl.
 - 'eco' and 'normal' – Ensure rinse water is present in bowl before use. Use toilet, then activate desired flush function. An additional volume of water will be added followed by the discharge function. Water will then be added to the bowl ready for next use.
 - '**dry bowl**' is a hidden function – Activate this function to ensure bowl is discharged with no new rinse water added. This will leave the bowl dry – desirable when sailing/motoring to avoid splash. To activate, press and hold both 'eco flush' and 'normal flush' simultaneously for 4 seconds, the discharge pump will activate without any additional rinse water entering the bowl. Ensure 'eco' or 'normal' flush function is activated to add water to bowl before using the toilet.
-

Rinse Options

1. Fresh Water



2. Raw Water



1. Quiet Flush Series are supplied with a combined solenoid valve and double non-return valve for connection to any existing pressurized water system capable of 3 GPM or more. The double non-return valve prevents back-flow from the toilet into the potable water system. conforming to ABYC TH-29
2. Quiet Flush Series are supplied with a remote mounted self-priming pump to bring in sea, river or lake rinse water. Complete with a Pumpguard™ strainer.

Operating Instructions

The toilet is one of the most used pieces of equipment on a boat. Correct operation of the toilet is essential for the safety and comfort of all users on-board.

- Open inlet and outlet seacock or turn on fresh water pump (and secondary valves if fitted). Use touch pad controller as described above.



CAUTION: Only human waste and toilet paper should be put into the toilet. NEVER FLUSH ANY FOREIGN MATERIALS such as paper towels, nappies, pre-moistened wipes, condoms, feminine hygiene products, dental floss, household garbage, etc. The manufacturer does not accept responsibility for any damage caused to the toilet or system from improper use.



HAZARD RISK: Accidental Damage - USE SEACOCKS!

If the toilet is connected to ANY through-hull fittings that are below the waterline at any time, and if the toilet or pipework is damaged, water may flood in, causing the craft to sink, which may result in loss of life.

Therefore after every usage, both seacocks (or secondary valves) MUST be shut. Whenever your craft is unattended, even if for only a short period of time, both seacocks (even if secondary valves are fitted) MUST be shut.

- Ensure that ALL users understand how to operate the toilet systems correctly and safely, including seacocks and secondary valves.
- Take special care to instruct children and visitors.

Cleaning

- To clean the bowl, use any liquid or cream ceramic cleaner.



CAUTION: Do NOT use aggressive chemical agents such as acetone or bleach because the plastic parts may crack and the enamel coating on the seat and lid may blister.

- To clean the rest of the toilet, including the seat and lid, use a non-abrasive liquid cleaner. Polish with a dry cloth only.



CAUTION: Do not use abrasive pads on any part of the toilet and do not use cream cleaners except for the bowl.

- To disinfect the toilet, use a liquid disinfectant diluted in accordance with the manufacturer's instructions. You may apply it to all parts of the toilet using a sponge or soft brush as necessary.



CAUTION: Do not use thick liquid toilet cleansers or bleach. They may damage the valves, gaskets, seals and the enamel coating of the seat and lid.

Servicing Instructions

Jabsco Quiet Flush electric toilets do not normally require maintenance during the season, provided that they are winterized in the autumn.

- Regularly check all fastenings for tightness and leaks.



HAZARD RISK: Leaks – REPAIR LEAKS IMMEDIATELY!

If the toilet is connected to ANY through-hull fittings and, if the toilet or the pipework develops a minor leak, it can suddenly become a major leak that allows water to flood in, causing the craft to sink, which may result in loss of life.

Therefore, if ANY leak develops you must repair it immediately.

Control Panel and Control Box

- These 'sealed for life' units are maintenance free.

Solenoid Valve

- See separate solenoid valve data sheet.

Rinse Pump

- Please refer to the data sheet provided for the 31331-Series Rinse Pump.

Shaft Seal

- In the unlikely event that water begins to drip from the shaft of the flush pump motor, the seal may be worn and must be replaced.
- Service instructions are contained in the service kit, see spare parts section for details.

Electrical Connections

- Carefully inspect all electrical connections, even if they are protected. Remove any corrosion on the terminals or in the cables, and remake any loose or weak connections because these cause voltage drop when under load, which directly reduces both rinse and flush pump performance.
Protect all electrical connections against moisture.

Servicing & Winterization – Preparation

Jabsco Quiet Flush electric toilets are designed to be user serviceable and no special skills are required.

- Flush the toilet in accordance with the Operating Instructions and ensure that all waste has left the discharge pipework and that the bowl is empty.
- CLOSE BOTH SEACOCKS (even if secondary valves are fitted).
- SWITCH OFF POWER OR REMOVE FUSE.
- Be ready to clean up any water that may come out of the system.

Servicing – Winterization

In order to protect the toilet waste system over winter, the system can be fully drained and dismantled or left connected and filled with non-toxic anti-freeze.

- Drain the complete system, both as protection against freeze damage and to discourage the growth in the pipework of bacteria that cause unpleasant smells.
- Close seacocks, loosen hose clips and disconnect the hose ends from both the seacock hose tails. Ensure that all water is drained from the toilet system.
- Fasten down the seat and lid to prevent use and attach a warning notice.

Filling system with non-toxic anti-freeze



CAUTION: If using antifreeze to winterize the toilet system, use only Propylene glycol (pink marine/ RV antifreeze).

- Flush enough antifreeze to ensure the antifreeze reaches any directional valves (if equipped) and the black water holding tank(s).
- If the toilet is equipped with a fresh water flush, flush antifreeze through the rinse side of the system when winterizing the pressurized fresh water system. If equipped with a raw or salt water flush, you must winterize the rinse side of the system independent of the toilet according to the manufacturer's recommendation for winterizing the rinse pump.
- Failure to properly winterize the toilet and its associated components could result in damage to the system.



HAZARD RISK: Seacocks opened by mistake – ATTACH WARNING NOTICE!

If you leave the toilet disassembled and, if the seacocks are opened when the craft is afloat, water will flood in and may cause the craft to sink, which may result in the loss of life. Therefore, you MUST attach a warning notice to the seacocks and, if possible wire the seacocks shut.

Seasonal Start-Up:

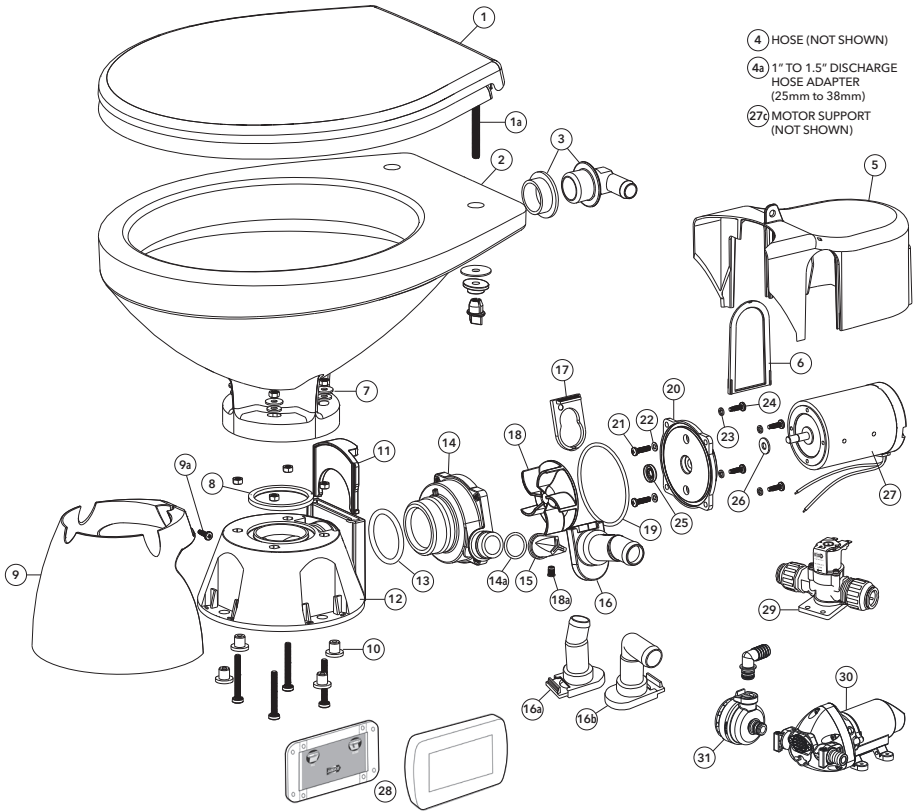
- Reconnect any hoses that have been loosened for winter draining, ensure all hose connections are secure with no leaks.
- Prime and test the system in accordance with the operating instructions.
- Check all hose connections for leaks again.

QUIET FLUSH E2 Quick Release – Flush Pump

The Quiet Flush discharge pump has been designed to be removed simply and quickly using minimal tools. This feature is particularly useful if the discharge pump has become blocked by an item such as a wet wipe or sanitary towel.

- Before removing the pump, press the empty function on the control panel to remove as much water as possible from the bowl and discharge line. **NOW TURN OFF THE POWER TO THE TOILET AND CLOSE THE INLET AND DISCHARGE SEACOCKS.**
- Ensure an empty bucket is on hand to catch any residual water left in the pump housing.
- Loosen the screw at the back of the toilet base shroud; remove the shroud.
- Remove the motor cover.
- If there is enough flexibility in the discharge line, do not remove it from the pump assembly.
- If required, remove the discharge line from the pump assembly by lifting the retaining clip; carefully remove the hose and place into a bucket. In most instances, the non-return valve will stop any residual water running out of the discharge hose.
- Lift the large retaining clip at the top of the pump base unit until it clicks and is retained in place.
- Carefully remove the pump; tip any residual water into a bucket. Remove any material that has gathered in the pump head and discharge port.
- Reinsert the pump into the toilet base; push down the retaining clip firmly until you hear it click.
- If the discharge port was removed, reinsert and push the retaining clip down until you hear a click.
- Check all connections are secure and the clips are securely in place.
- Turn on power to toilet and open seacocks; resume use of toilet.
- Dispose of removed material following local waste handling regulations.

Spare Parts



Key	Part name	Qty.	Raw Part Number	A	B	C	D	E
1	Seat and cover (compact bowl)	1	29097-1000					
1	Seat and cover (slow close, regular bowl)	1	58104-2000					
1a	Hinge kit - (1 pair) Compact seat	1	29098-1000					
	Hinge kit - (1 pair) Regular slow close	1	58105-3000					
2a	Compact bowl	1	29096-0001					
2b	Regular bowl	1	29126-0001					
3	Intake elbow and seal	1	58107-1000					
4	Hos-inlet, white 6ft (1.8m), 3/4" (19mm)	1	29035-1031					
4a	1" to 1.5" hose adaptor (25mm to 38mm)	1	98023-0080					
5	Motor cover	1	38509-1000					
6	Motor slide cover	1	38010-1000					
7a	Toilet base screw M6 x 50LG	4	See kits				1	
7b	Shakeproof washer	4	See kits				1	
7c	Hex head nut M6	8	See kits				1	
7d	Washer - plastic	8	See kits				1	
7e	Washer SS	4	See kits				1	

8	Base O-ring	1	44101-1000			1		
9	Base cover	1	38508-1000					
9a	Base cover screw	1	91045-0441	1				
10	Base mounting feet	4	38510-1000					
11	Discharge pump clip	1	38504-1000					
12	Toilet base	1	See kits			1		
13	O-ring	1	See kits	1	1			
14	Waste pump housing	1	38500-1000			1		
14a	O-ring	1	See kits	1	1		1	1
15	Joker valve	1	44106-1000	1			1	1
16a	Discharge port - straight	1	See kits				1	
16b	Discharge port - 90°	1	See kits					1
17	Discharge port clip	1	See kits				1	1
18	Impeller	1	38502-1000			1		
18a	Impeller set screw	1	Included with impeller			1		
19	O-ring	1	See kits	1	1			
20	Motor adaptor	1	38501-1000			1		
21	Screw 10-32x 3/4 PHPN	2	See kits			1		
22	Washer seal	2	See kits	1	1			
23	Lock washer	4	See kits			1		
24	SS screw	4	See kits			1		
25	Shaft seal	1	See kits	1	1			
26	Slinger	1	See kits	1	1			
27	Motor 12V	1	See kits			1		
	Motor 24V	1	See kits			1		
27c	Motor support	1	38511-1000					
28	Control panel & control box	1	38580-1000					
29	Solenoid valve 12V	1	37038-2012					
	Solenoid valve 24V	1	37038-2024					
30	Rinse pump 12V	1	31331-0092					
	Rinse pump 24V	1	31331-0094					
31	Rinse pump strainer	1	46400-9500					

See Kits Available

Kit	Description	Part No.
A	Service Kit	38595-1000
B	Pump Assembly Kit 12V	38072-0092
	Pump Assembly Kit 24V	38072-0094
C	Base Assembly	38503-1000
D	Discharge Port Kit Straight	38505-1000
E	Discharge Port Kit 90°	38506-1000

Troubleshooting

Troubleshooting	Probable Cause	Solution
Bowl fills with rinse water when not in use	Fresh Water System - Debris within solenoid valve	Isolate solenoid valve, check for debris within valve seat, rinse valve body, rinse filter, replace valve.
	Raw Water System - Rinse Pump	Isolate rinse pump, check valve assembly for debris. Clean.
Bowl does not empty	Blocked pump or blocked discharge pipework	Check valves within discharge system are open
		Check holding tank is not full, check holding tank vent is not blocked
		Check toilet discharge pump, non-return valve and discharge pipework for blockages
Water not entering bowl	Inlet hose leakage	Check inlet hose connections are airtight
	No power to solenoid valve or rinse pump	Check power to solenoid valve or raw water rinse pump Make sure the fresh water pump is on Make sure intake seacock is open and not blocked Check Pumpguard™ cap is tight and not blocked
Bowl drains after flushing toilet	Incorrect discharge pipework arrangement	Ensure discharge pipework is looped above base of toilet with a vented loop installed, see installation manual
Water leaking from waste pump	Quick release clip not fully inserted	Ensure discharge pump is fully inserted into toilet base, ensure quick release clip is fully engaged
	Loose hose clips	Ensure all hose clips are fully tightened
	Shaft seal and/or o-ring worn	Replace seal and/or o-ring

Warranty

XYLEM LIMITED WARRANTY WARRANTS THIS PRODUCT TO BE FREE OF DEFECTS AND WORKMANSHIP FOR A PERIOD OF 1 YEAR FROM DATE OF MANUFACTURE. THE WARRANTY IS EXCLUSIVE AND IN LIEU OF ANY AND ALL OTHER EXPRESS OR IMPLIED WARRANTIES, GUARANTEES, CONDITIONS OR TERMS OF WHATEVER NATURE RELATING TO THE GOODS PROVIDED HEREUNDER, INCLUDING WITHOUT LIMITATION ANY IMPLIED WARRANTIES OF MERCHANTABILITY AND FITNESS FOR A PARTICULAR PURPOSE, WHICH ARE HEREBY EXPRESSLY DISCLAIMED AND EXCLUDED. EXCEPT AS OTHERWISE PROVIDED BY LAW, BUYER'S EXCLUSIVE REMEDY AND SELLER'S AGGREGATE LIABILITY FOR BREACH OF ANY OF THE FOREGOING WARRANTIES ARE LIMITED TO REPAIRING OR REPLACING THE PRODUCT AND SHALL IN ALL CASES BE LIMITED TO THE AMOUNT PAID BY THE BUYER HEREUNDER. IN NO EVENT IS SELLER LIABLE FOR ANY OTHER FORM OF DAMAGES, WHETHER DIRECT, INDIRECT, LIQUIDATED, INCIDENTAL, CONSEQUENTIAL, PUNITIVE, EXEMPLARY OR SPECIAL DAMAGES, INCLUDING BUT NOT LIMITED TO LOSS OF PROFIT, LOSS OF ANTICIPATED SAVINGS OR REVENUE, LOSS OF INCOME, LOSS OF BUSINESS, LOSS OF PRODUCTION, LOSS OF OPPORTUNITY OR LOSS OF REPUTATION. THIS WARRANTY IS ONLY A REPRESENTATION OF THE COMPLETE LIMITED WARRANTY. FOR A DETAILED EXPLANATION, PLEASE VISIT US AT www.xylen.com/en-us/support/, CALL OUR OFFICE NUMBER LISTED, OR WRITE A LETTER TO YOUR REGIONAL OFFICE.

2012/19/EU

Waste Electrical & Electronic Equipment (WEEE)



1.1 End of life product disposal

Handle and dispose of all waste in compliance with local laws and regulations.

EU only: Correct disposal of this product – WEEE Directive on waste electrical and electronic equipment.

This marking on the product, accessories or literature indicates that the product should not be disposed of with other waste at the end of its working life.

To prevent possible harm to the environment or human health from uncontrolled waste disposal, please separate these items from other types of waste and recycle them responsibly to promote the sustainable reuse of material resources.

Waste from electrical and electronic equipment can be returned to the producer or distributor.

1.2 Изхвърляне на продукта в края на живота му

Управлявайте и изхвърляйте всички отпадъци в съответствие с местните закони и разпоредби.

Само за ЕС; Правилно изхвърляне на този продукт – Директива за отпадъците от електрическо и електронно оборудване (ОЕО).

Тази маркировка върху продукта, аксесоарите или документите показва, че продуктът не трябва да се изхвърля с други отпадъци в края на този работен живот.

За да предотвратите възможна вреда за околната среда или човешкото здраве от неконтролирано изхвърляне на отпадъци, моля, отделете тези предмети от други видове отпадъци и ги рециклирайте отговорно, за да насърчите устойчивото повторно използване на материалните ресурси.

Отпадъците от електрическо и електронно оборудване могат да бъдат върнати на производителя.

1.3 Likvidace produktu na konci životnosti

S veškerým odpadem zacházejte a likvidujte jej v souladu s místními zákony a předpisy.

platí pouze v EU; Správná likvidace tohoto produktu - směrnice WEEE o odpadu z elektrických a elektronických zařízení.

Tato značka na výrobku, příslušenství nebo návodu či doprovodných dokumentech označuje, že po skončení této životnosti by výrobek neměl být likvidován spolu s jiným odpadem.

Abyste předešli možnému poškození životního prostředí nebo lidského zdraví nekontrolovanou likvidací odpadu, oddělte tyto položky od ostatních druhů odpadu a recyklujte je odpovědně a podpořte tak udržitelné opětovné použití materiálových zdrojů. Odpad z elektrických a elektronických zařízení lze vrátit výrobci.

1.4 Bortskaffelse af end-of-life produkter

Håndter og bortskaf alt affald i overensstemmelse med lokale love og regler.

Kun EU; Korrekt bortskaffelse af dette produkt - WEEE-direktivet om bortskaffelse af elektrisk og elektronisk udstyr.

Denne mærkning på produktet, tilbehør eller litteratur indikerer, at produktet ikke bør bortskaffes sammen med andet affald i slutningen af produktets levetid.

For at forhindre mulig skade på miljøet eller menneskers sundhed ved ukontrolleret bortskaffelse af affald, skal du adskille disse genstande fra andre typer affald og genbruge dem ansvarligt for at fremme bæredygtig genbrug af materielle ressourcer.

Affald fra elektrisk og elektronisk udstyr kan returneres til producenten.

1.5 Entsorgung von Produkten am Ende ihrer Nutzungsdauer

Behandeln und entsorgen Sie alle Abfälle unter Einhaltung der örtlichen Gesetze und Vorschriften.

Gilt nur für die EU: Fachgerechte Entsorgung dieses Produkts - WEEE-Richtlinie 2012/19/EU über Elektro- und

Elektronik-Altgeräte.

Diese Aufschrift auf dem Produkt, dem Zubehör oder der Dokumentation weist darauf hin, dass das Produkt am Ende seiner Lebensdauer nicht zusammen mit anderem Abfall entsorgt werden darf.

Um mögliche Schäden für die Umwelt oder die menschliche Gesundheit durch unkontrollierte Abfallentsorgung zu vermeiden, trennen Sie diese Gegenstände bitte von anderen Abfallarten und recyceln Sie sie verantwortungsvoll, um die nachhaltige Wiederverwendung von Materialressourcen zu fördern.

Abfälle von Elektro- und Elektronikgeräten können an den Hersteller zurückgegeben werden.

1.6 Διάθεση προϊόντος που έχει φτάσει στο τέλος του κύκλου της ζωής του

Διαχειριστείτε και διαθέστε όλα τα απόβλητα σύμφωνα με τους τοπικούς νόμους και κανονισμούς.

Μόνο για την ΕΕ Ορθή διάθεση αυτού του προϊόντος σύμφωνα με την Οδηγία για τα απόβλητα ηλεκτρικού και ηλεκτρονικού εξοπλισμού (ΑΗΕ).

Η παρούσα σήμανση στο προϊόν, τα εξαρτήματα ή τα εγχειρίδια υποδεικνύει ότι το προϊόν δεν θα πρέπει να διατίθεται μαζί με άλλα απόβλητα στο τέλος του κύκλου της ζωής του.

Παρακαλούμε διαχωρίζετε τα προϊόντα αυτά από άλλους τύπους αποβλήτων, όπως ώστε να αποτρέψετε πιθανές ζημιές στο περιβάλλον ή την ανθρώπινη υγεία που μπορεί να προκληθούν από τη μη ελεγχόμενη διάθεση αποβλήτων, και ανακυκλώνετε τα υπεύθυνα με σκοπό να προάγετε τη βιώσιμη επαναχρησιμοποίηση υλικών πόρων.

Τα απόβλητα ηλεκτρικού και ηλεκτρονικού εξοπλισμού μπορούν να επιστρέφονται στον παραγωγό.

1.7 Desechado al final de la vida útil del producto

Manipule y deseche todos los residuos de acuerdo con las leyes y las normativas locales.

Solo UE: desecho de las baterías de este producto - Directiva RAEE sobre de aparatos eléctricos y electrónicos.

Esta marca en el producto, los accesorios o la documentación indica que el producto no se debe desechar con otros residuos al final de su vida útil.

Para evitar un posible daño en el entorno o la salud humana derivado del desecho de residuos no controlados, separe esos elementos de otros tipos de residuos y reciclelos de forma responsable para promover la reutilización sostenible de los recursos materiales.

Residuos de los aparatos eléctricos y electrónicos se pueden devolver al fabricante o distribuidor.

1.8 Kõrvaldamine elutsükli lõppedes

Järgige jäätmete kõrvaldamisel kõiki kohalikke seaduseid ja eeskirju.

Ainult Euroopa Liidus: toote õigeks kõrvaldamiseks järgige elektri- ja elektroonikaseadmete direktiivi WEEE.

Kui tootel, lisatarkvikel või dokumentidel on ülaloesitatud

márgistus, tähendab see seda, et toodet ei tohi elutsükli lõppedes kõrvaldada koos muude jäätmetega. Jäätmete kontrollimata kõrvaldamise tõttu tekkinda võivate keskkondlike või terviseseisundi kahjude vältimiseks eraldage need esemed muud tüüpi jäätmetest ja taaskäidelge neid vastutustundlikult, et edendada materiaalse ressursside jätkusuutlikku taaskasutamist.

Elektri- ja elektroonikaseadmetest tekkinud jäätmed võib tagastada tootjale või edasimüüjale.

1.9 Tuotteen hävittäminen sen elinkaaren lopussa

Käsittele ja hävitä kaikki jätteet paikallisten lakien ja asetusten mukaisesti.

Vain EU: Tämän tuotteen oikeaoppinen hävittäminen - WEEE:n sähkö- ja elektroniikkalaiteromua koskeva direktiivi.

Tämä tuotteessa, lisälaitteessa tai kirjallisuustiedoissa oleva merkintä osoittaa, että tuotetta ei saa hävittää yhdessä muun jätteen mukana sen elinkaaren lopussa.

Vältyäkseen jätteiden hallitsemattoman hävittämisen aiheuttamilta mahdollisilta ympäristöhaitoilta tai ihmisille aiheutuvilta terveysriskeiltä, lajittele nämä tavarat erilleen muun tyyppisistä jätteistä ja kierrätä ne vastuullisesti edistääksesi aineellisten resurssien kestävää uudelleenkäyttöä. Sähkö- ja elektroniikkalaiteromu voidaan palauttaa valmistajalle.

1.10 Élimination des produits en fin de vie

Traiter et éliminer tous les déchets conformément aux lois et réglementations locales.

UE uniquement; Élimination correcte de ce produit - Directive DEEE relative aux déchets d'équipements électriques et électroniques.

Cette mention sur le produit, les accessoires ou la documentation indique qu'il ne faut pas jeter le produit avec d'autres déchets suite à la fin de cette durée de vie.

Par mesure de prévention pour l'environnement et pour la santé humaine, veuillez séparer ces composants des autres types de déchets et les recycler conformément au principe de réutilisation des ressources matérielles.

Les déchets d'équipements électriques et électroniques peuvent être renvoyés au fabricant.

1.11 A termék ártalmatlanítása az élettartam végén

Az összes hulladékot kezelje és ártalmatlanítsa a helyi jogszabályoknak és előírásoknak megfelelően.

Csak EU: A termék megfelelő ártalmatlanítása - WEEE irányelv az elektromos és elektronikus berendezések hulladékaíról.

A termékben, a tartozékokon vagy a dokumentáción látható ezen jelzés azt mutatja, hogy a terméket az élettartam végén nem szabad más hulladékkal együtt kezelni.

Az ellenőrzetlen hulladékkalés következében a környezetre vagy az emberi egészségre gyakorolt esetleges károk elkerülése érdekében, kérjük, különítse el ezeket a tárgyakat a más típusú hulladékoktól, és az anyagi erőforrások fenntartható újrafelhasználása érdekében felelősségteljesen használtsa újra azokat.

Az elektromos és elektronikus berendezésekből származó hulladékot a gyártó visszaveszi.

1.12 Förgun vöru við lok líftíma hennar

Meðhöndla skal og farga öllum úrgangi í samræmi við gildandi lög og reglugerðir.

Engöngu innan ESB; Rétt förgun þessarar vöru - WEEE tilskipun um raf- og rafeindatækjáurgang.

Ef þetta merki er á vöru, fylgihlut eða lesefni gefur það til kynna að vörurni skuli ekki farga með öðrum úrgangi við lok líftíma hennar.

Til að koma í veg fyrir mögulegan skaða á umhverfinu og heilsu

manna sem hlýst af óhindraðri förgun úrgangs skaltu aðskilja þessa hluti frá öðrum úrgangi og endurvinnna þá á ábyrgan hátt til að stuðla að sjálfbærri endurnýtingu hráefna.

Raf- og rafeindatækjáurgangi er hægt að skila aftur til framleiðanda.

1.13 Nebenudomajmy produktų išmetimas

Visų atliekų tvarkymas ir išmetimas laikantis vietinių įstatymų ir taisyklių.

Tik ES: Tinkamas šio produkto išmetimas - EEJ direktyva dėl elektros ir elektroninės įrangos atliekų.

Šis produkto, priedų ar literatūros žymėjimas nurodo, kad pasibaigus produkto veikimui, jis neturi būti išmetamas kartu su kitomis šiukšlėmis.

Siekiant išvengti galimo pavojaus aplinkai ar žmonių sveikatai kilusio dėl netinkamo atliekų šalinimo, prašome atskirti šiuos daiktus nuo kitų atliekų tipų ir juos rūšiuoti atsakingai skatinant tvarų išteklių naudojimą.

Elektros ir elektroninės įrangos atliekas galite grąžinti gamintojui.

1.14 Inzameling en recycling van afgedankte elektrische en elektronische apparatuur

Verwerk al uw afval en voer het af conform de lokale wetten en regelgeving.

Alleen voor de EU: correcte afvoer van dit product - AEEA-verordening betreffende afgedankte elektrische en elektronische apparatuur.

Deze markering op het product, op de accessoires of op de documentatie geeft aan dat het product op het einde van zijn levensduur niet mag worden weggegooid met ander afval.

Om mogelijke schade aan het milieu of aan de volksgezondheid te voorkomen door ongecontroleerd afval, moeten deze producten worden gescheiden van ander soort afval en op verantwoorde wijze worden gerecycled om het duurzame gebruik van grondstoffen te promoten.

Afval van elektrische en elektronische apparatuur mag worden teruggestuurd naar de producent.

1.15 Avfallshåndtering av produktet

Håndter og kast alt avfall i samsvar med lokale regler og forskrifter.

Kun i EU Riktig avfallshåndtering av dette produktet - WEEE-direktivet om innsamling og gjenvinning av elektrisk og elektronisk avfall.

Denne fremstillingen av produktet, tilbehøret eller litteraturen, angir at produktet ikke skal kastes med annet avfall.

For å hindre potensiell skade på miljøet eller menneskers helse fra ukontrollert avfallshåndtering, må du skille disse produktene fra andre typer avfall og resikulere dem på en ansvarlig måte for å fremme bærekraftig gjenbruk av materielle ressurser.

Avfall fra elektrisk og elektronisk utstyr kan returneres til produsenten.

1.16 Smaltimento al termine della vita utile del prodotto.

Maneggiare e smaltire tutti i rifiuti in conformità con le leggi e le normative locali.

Solo UE: smaltimento corretto di questo prodotto - Direttiva WEEE sullo smaltimento di apparecchiature elettriche elettroniche.

Questo marchio sul prodotto, sugli accessori o sulla documentazione indica che il prodotto non deve essere smaltito con altri rifiuti al termine della sua vita utile.

Per evitare possibili danni all'ambiente o alla salute umana causati dallo smaltimento incontrollato dei rifiuti, separare questi articoli da altri tipi di rifiuti e riciclarli in modo responsabile per promuovere il riutilizzo sostenibile delle risorse materiali.

Le apparecchiature elettroniche elettriche di scarto possono essere restituite al produttore o al rivenditore.



a **xylem** brand

Xylem Inc. – USA

17942 Cowan
Irvine, CA 92614

Xylem Inc. – UK

Harlow Innovation Park,
London Road, Harlow, Essex, CM17 9LX

Xylem Inc. – CHINA

30/F Tower A, 100 Zunyi Road, Shanghai
200051

Xylem Inc. – HUNGARY KFT

2700 Cegléd
Külso-Kátaí út 41

Xylem Inc. – AUSTRALIA

2/2 Capicure Drive
Eastern Creek, NSW 2766

www.xylem.com/jabsco

© 2022 Xylem Inc. All rights reserved

Jabsco is a trademark of Xylem Inc. or one of its subsidiaries

43000-0619 Rev. A 03/2022