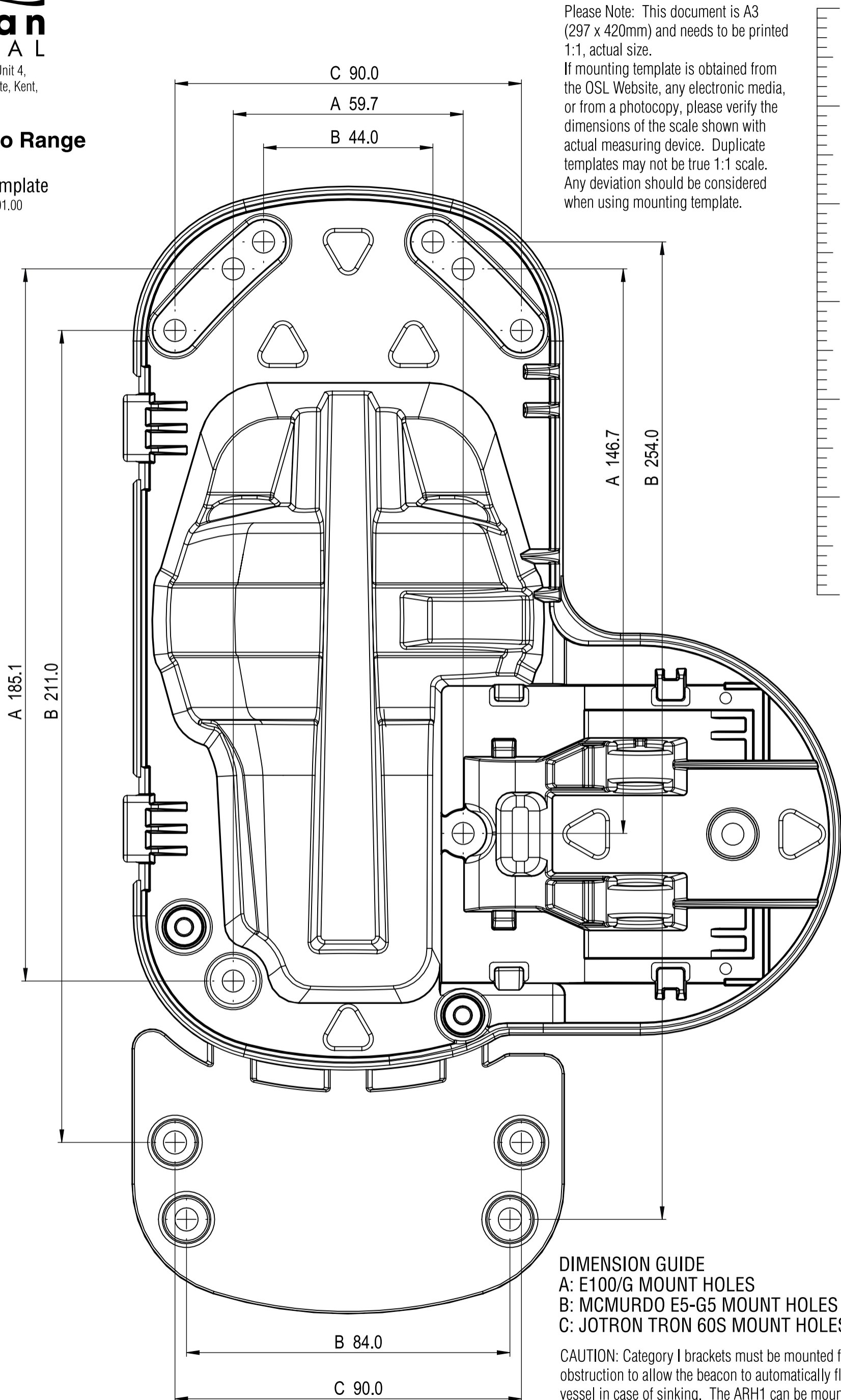
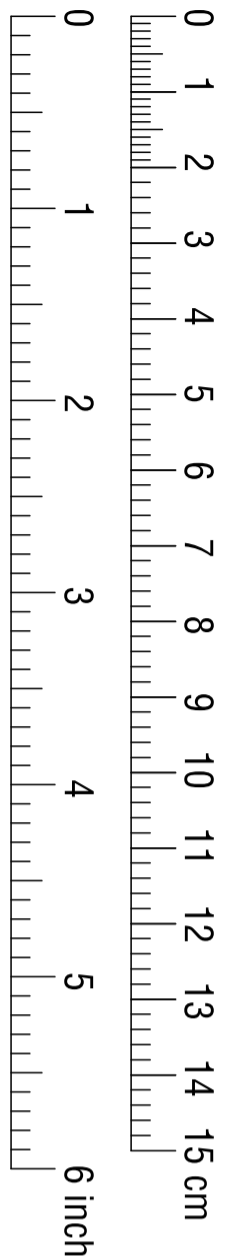


**EPIRB Pro Range**  
Cat I ARH1  
Mounting Template  
912S-04846 Issue 01.00



Please Note: This document is A3 (297 x 420mm) and needs to be printed 1:1, actual size. If mounting template is obtained from the OSL Website, any electronic media, or from a photocopy, please verify the dimensions of the scale shown with actual measuring device. Duplicate templates may not be true 1:1 scale. Any deviation should be considered when using mounting template.



**DIMENSION GUIDE**  
A: E100/G MOUNT HOLES  
B: MCMURDO E5-G5 MOUNT HOLES  
C: JOTRON TRON 60S MOUNT HOLES

**CAUTION:** Category I brackets must be mounted free from obstruction to allow the beacon to automatically float free from the vessel in case of sinking. The ARH1 can be mounted on a vertical surface with the beacon antenna pointed skyward or a horizontal surface with the beacon face up. Avoid mounting locations that subject the bracket to breaking waves. Avoid structures like dodgers or cabin tops that could trap the beacon upon deployment.