

EN



FC9 FAN SPEED CONTROLLER

User's manual

Manufacturer: AUTOTERM LLC

Paleju 72, Marupe, Latvia, LV-2167

Warranty Department warranty@autoterm.com

Technical Support service@autoterm.com

www.autoterm.com

v10.2021

AUTOTERM FC9

AUTOTERM FC9 fan speed controller is designed for smooth fan speed control. The FC9 fan speed controller goes perfectly together with the AUTOTERM CHX heating matrices. The fan speed is controlled by moving the four sliders on the front panel. The sliders can be connected to a CHX heating matrix or each slider can be connected to an individual fan for more precise fan control.



The FC9 can be powered by any 12V power supply with a power of at least 600W.

In the BALTICA system the power source through a relay can be either FLOW 5 liquid heater or CHM36 thermal fan controller.

The FC9 controller must be mounted indoors where humidity level doesn't exceed 65%.

For mounting FC9 controller, make an 147x41 mm opening and drill two $\varnothing 3$ mm holes as shown in Figure 1. Insert the controller in the opening and fasten the front panel with the self-tapping screws from the kit.

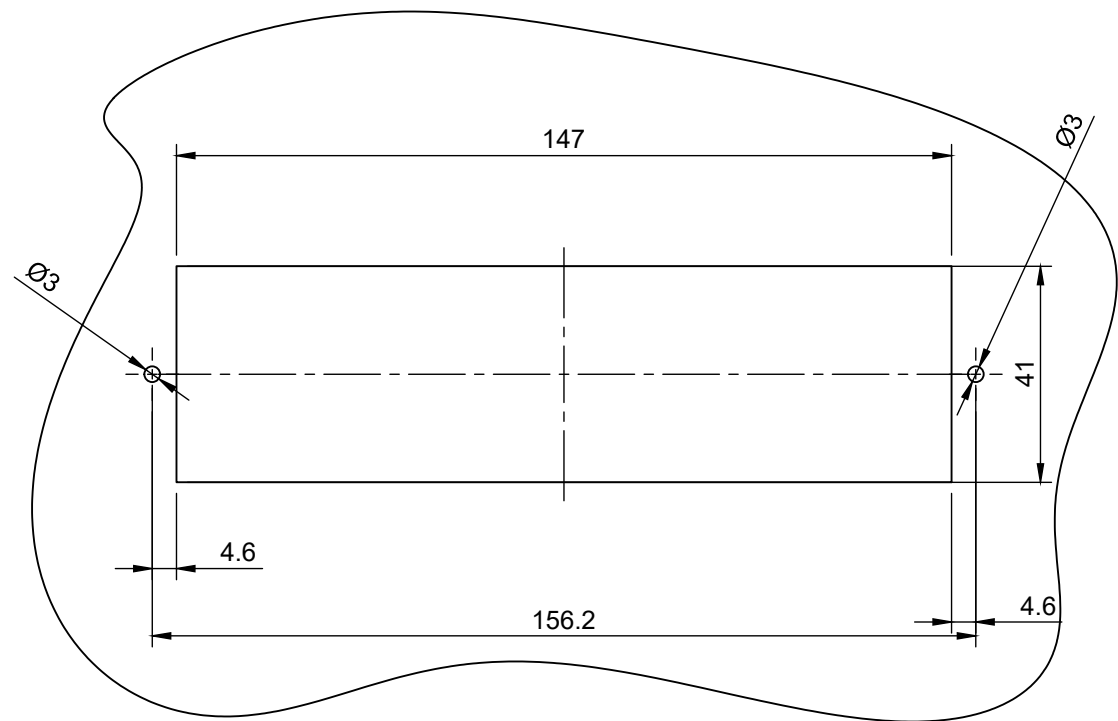


Figure 1 – Mounting of FC9 controller

For connecting FC9 controller see electrical connection diagram Figure 2. For connecting FC9 with additional CHM36 thermal controller see Figure 3.

The FC9 fan speed controller comes with four wire extenders (50mm). There is a 3-pin connector (FC1) at the controller end and 4-pin connector at the other. The 4-pin connector allows to directly connect the fans of the CHX heater matrices.



To extend the wires or to connect other devices, cut the 4-pin connector and connect the wires according to the connection diagram.

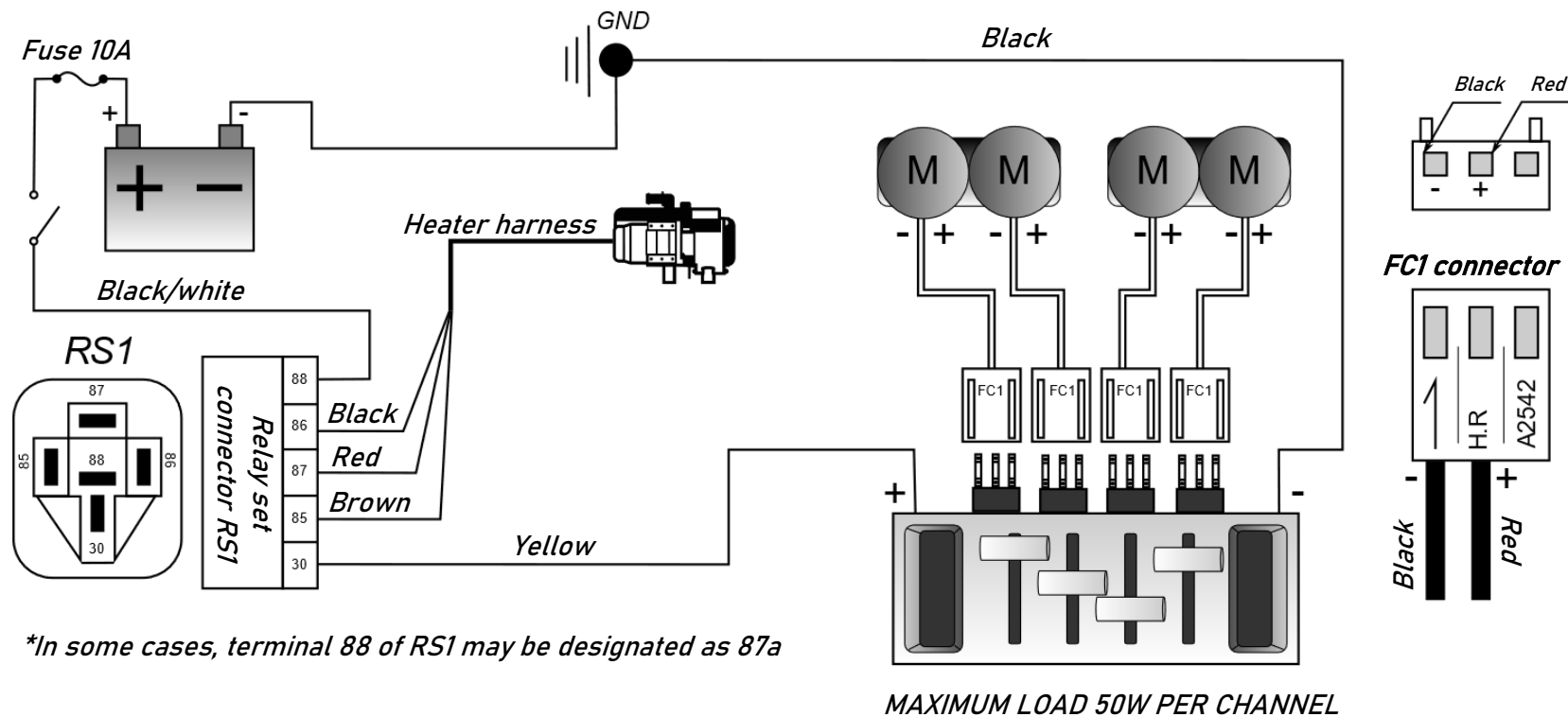


Figure 2 – Connection of FC9 controller

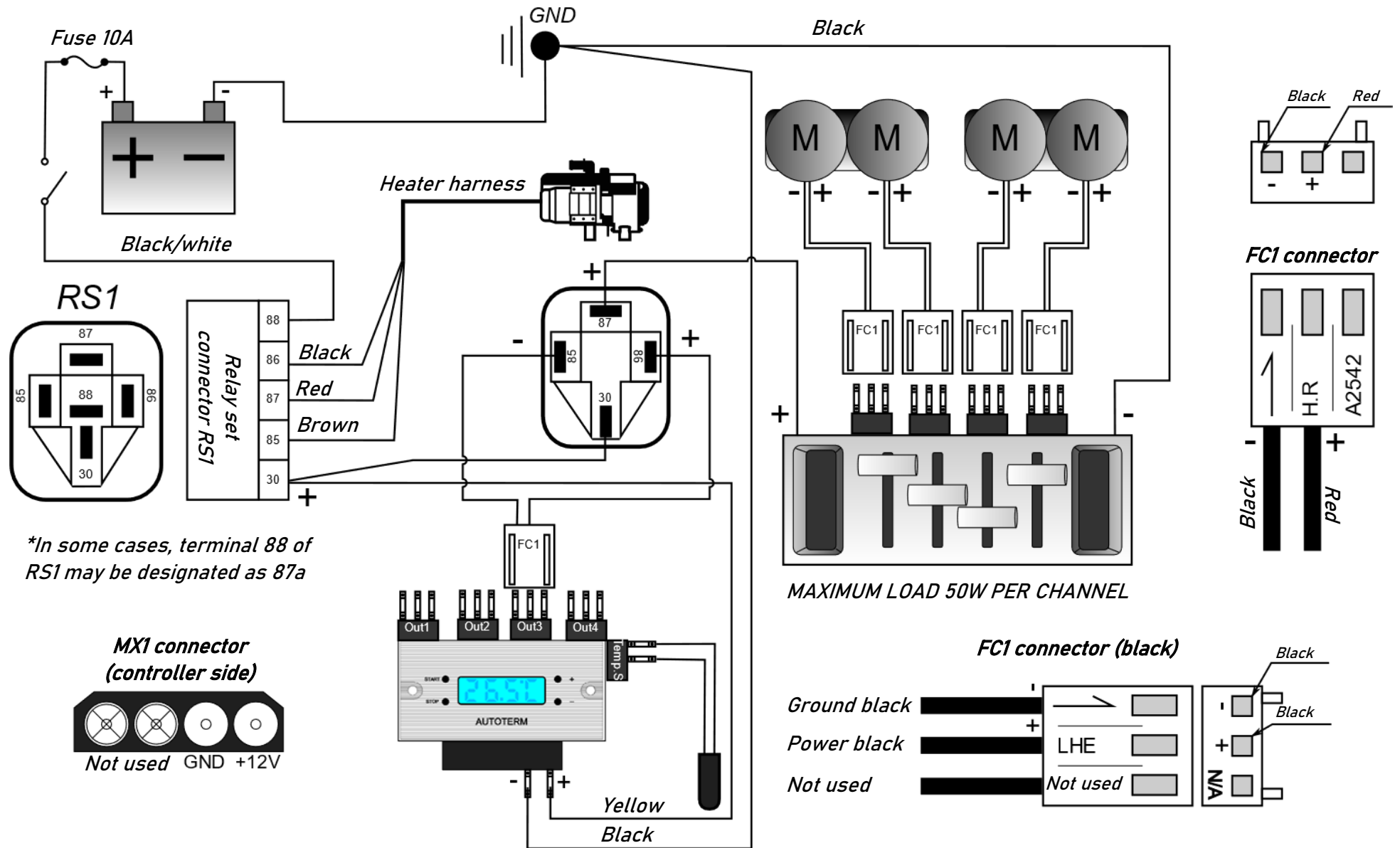


Figure 3 – FC9 controller connection with additional CHM36 thermal controller

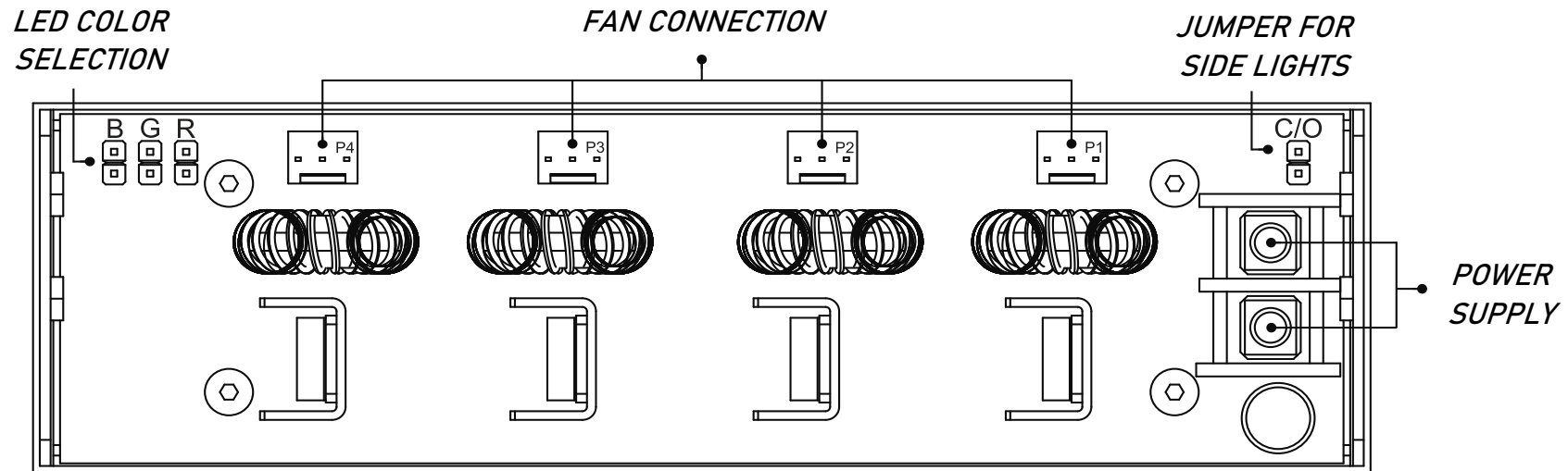









Figure 4 – Back of the FC9 controller

To choose the color of the side lights switch the jumpers (see Figure 4) on the back of the panel:

G+R:  Yellow	B:  Blue	R:  Red	B+R:  Purple
B+G+R:  White	G:  Green	B+G:  Cyan	

TECHNICAL PARAMETERS

Dimension:	148.5 x 42.5 x 75 mm	DC Output:	0V-12V DC
Power output:	up to 50W per channel	Control Channels:	4
DC Input:	+12V (standard 4-pin connector)	LED Colour:	White, Blue, Green, Cyan, Red, Purple, Yellow



autoterm

air and liquid heaters