



AIR HEATER AUTOTERM
AUTOTERM Air 9D

Catalogue of parts and assemblies

December 2021

Manufacturer: AUTOTERM LLC

72 Paleju street, Marupe
Marupe region, LV-2167, Latvia

Warranty Department warranty@autoterm.com

Technical Support service@autoterm.com

www.autoterm.com

This part-and-assembly catalogue is intended for companies and individuals involved in installing, repairing, and maintaining air heater Autoterm Air 9D.

This catalogue consists of two sections:

1. A schematic drawing of the **air heater** (figure 1) and a list of the air-heater's parts and assemblies (table 1)
2. A schematic drawing of the **heater** (figure 2) and a list of the heater's parts and assemblies (table 2)
3. A schematic drawing of the **heater assembly** (figure 3) and a list of the heater's parts and assemblies (table 3)

If a part or assembly fails during use, look up its designation in this catalogue to order a replacement from the manufacturer.

IMPORTANT **For ease of ordering, use the manufacturer's product numbers listed in the tables below**

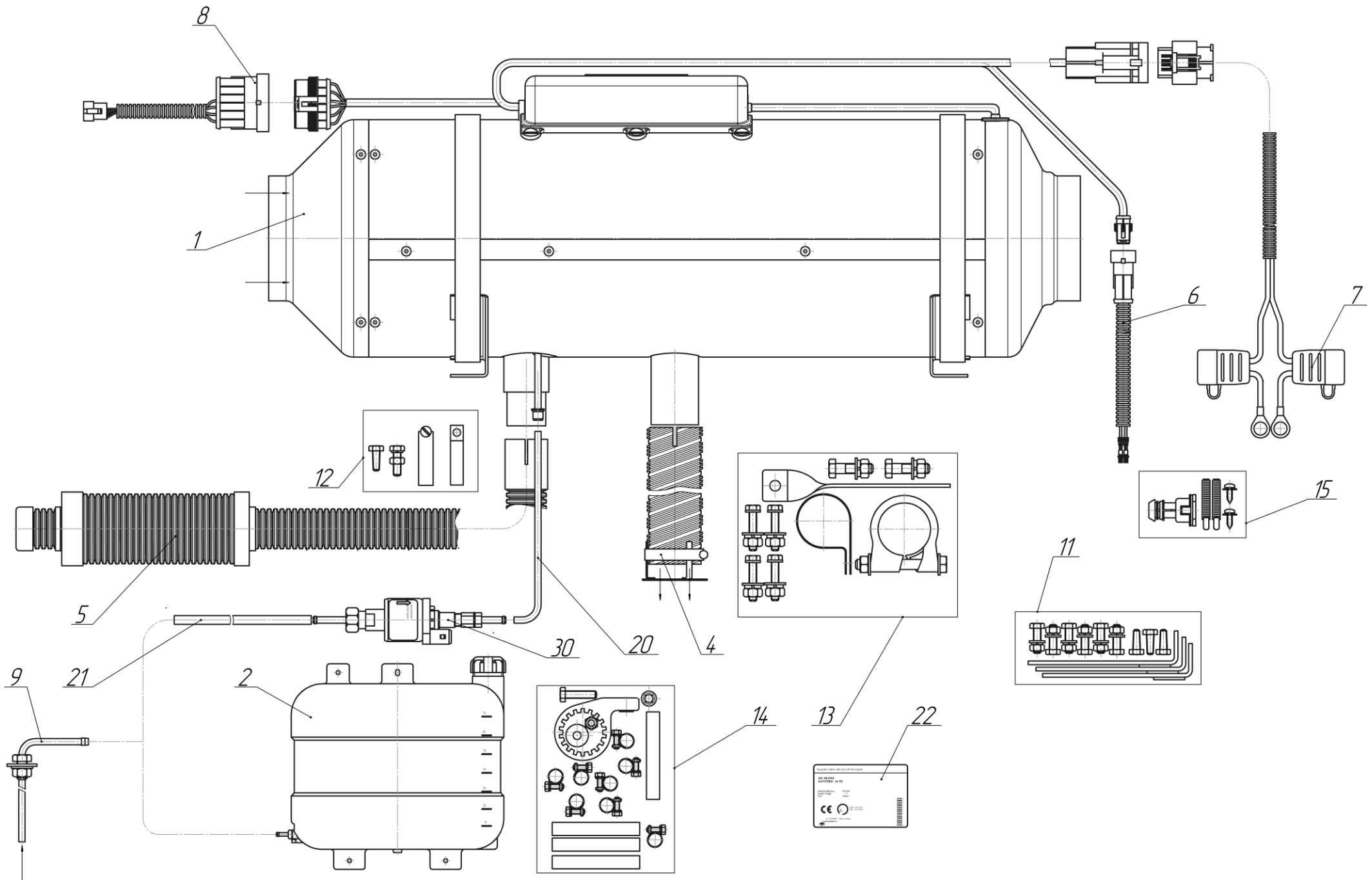
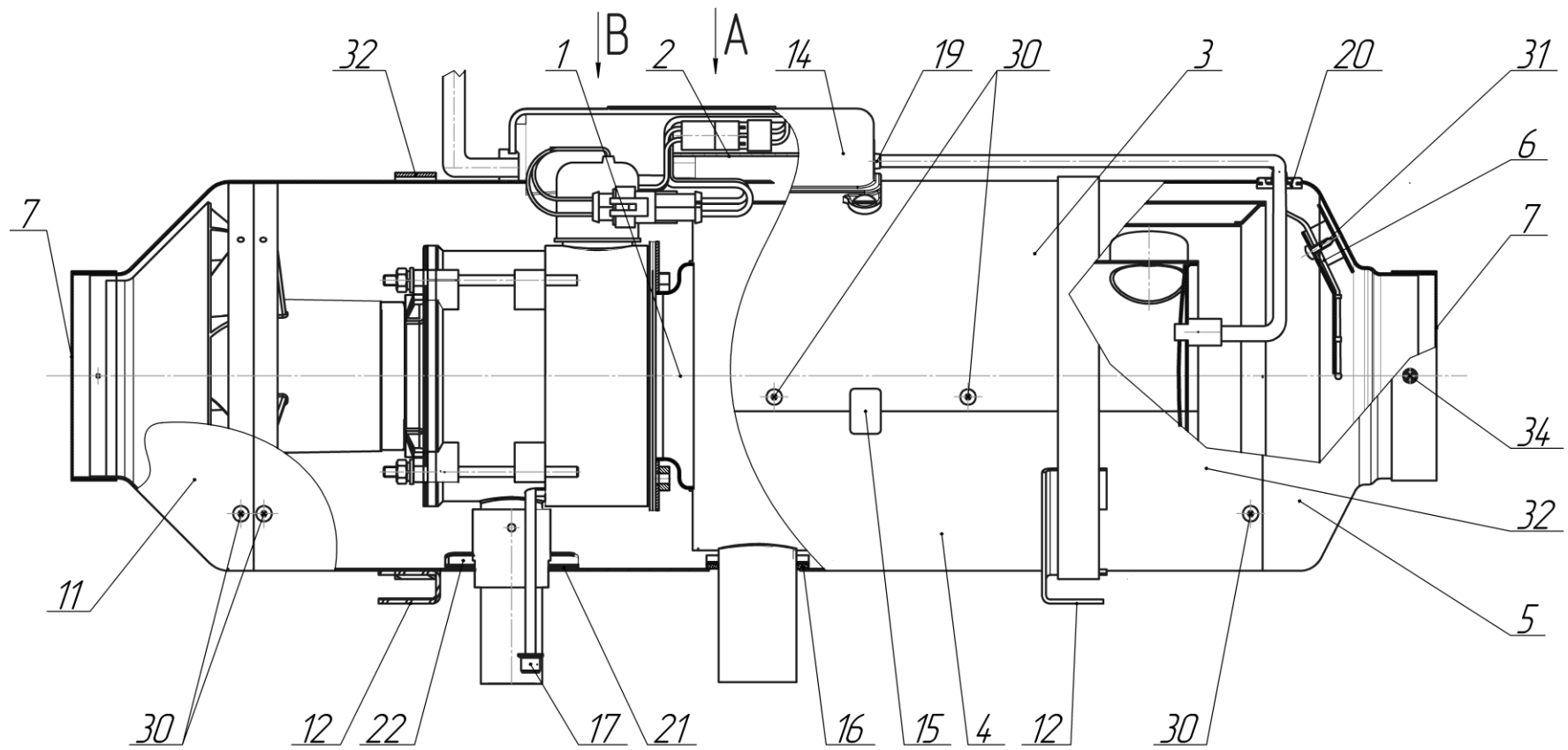


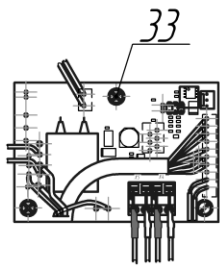
Figure 1- Schematic drawing of the air heater

Table 1

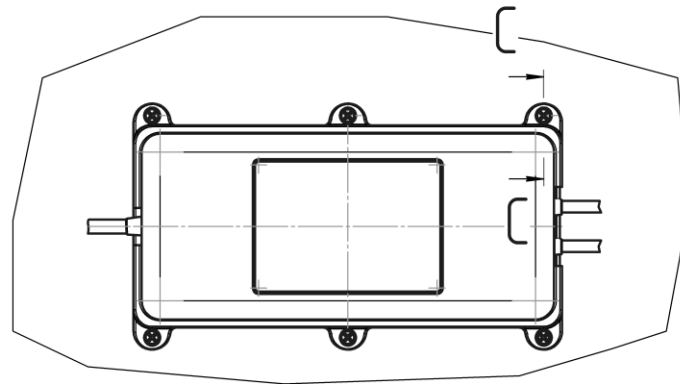
№	Part/assembly description and designation	Notes	Air 9D (24V) assy 4790	Air 9D assy 4795
	Air heater number		1	2
1	Heater			
	assy 4791	24V	1	
	assy 4796	12V		1
2	Fuel tank			
	assy 291 or assy 4121	БТ7-Ш or БТ7-Ш2	1	1
4	Exhaust pipe			
	assy 411		1	1
5	Air intake with silencer			
	assy 4767		1	1
6	Fuel pump harness			
	assy 2061	l=6.0m	1	1
7	Power supply harness			
	assy 1499	l=6.5m	1	
	assy 2017	l=5.0m		1
8	Harness			
	assy 2067	l=1.8m	1	1
9	Fuel intake			
	assy 807		1	1
11	Fuel tank БТ7 installation kit			
	assy 9020		1	1
12	Air intake mounting kit			
	assy 9021		1	1
13	Mounting kit of exhaust pipe and heating			
	assy 9047		1	1
14	Mounting kit of fuel system			
	assy 9049		1	1
15	Mounting kit for harnesses			
	assy 9050		1	1
20	Fuel supply line			
	det. 473		1	1
21	Fuel supply line			
	det.474		1	1
22	Duplicate of label			
	det.5354		1	
	det.5355			1
30	Fuel pump			
	P0631 24V	Thomas Magnete	1	
	P0630 12V	Thomas Magnete		1



B (1:4) Without part pos.14



A (1:2)



C (5:1)

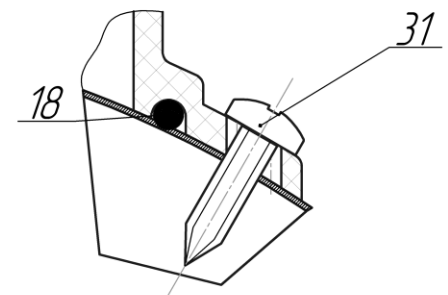


Figure 2- Schematic drawing of the heater

Table 2

No	Part/assembly description and designation	Notes	assy 4791	assy 4796
	Heater number		1	2
1	Heater unit (include all parts from Table 3, marked with star *)			
	assy 3677 or assy 5315		1	
	assy 3912 or assy 5342			1
2	Control unit			
	assy 3678	24V	1	
	assy 3913	12V		1
3	Top enclosure			
	assy 3679		1	1
4	Bottom enclosure			
	assy 3681		1	1
5	Bell mouth			
	assy 3682		1	1
6	Outlet sensor			
	assy 3683		1	1
7	Grid			
	assy 3728		2	2
11	Intake bell mouth			
	det. 3828		1	1
12	Support			
	det.3829		2	2
14	Control unit cover			
	det.3831		1	1
15	Seal			
	det.892		1	1
16	Exhaust pipe gasket			
	det.1647		2	2
17	Cap			
	det.189		1	1
18	Control unit gasket			
	det.3832		2	2
19	Gasket			
	det.3833		1	1
20	Bell mouth gasket			
	det.3834		1	1
21	Air line support			
	det.3835		1	1
22	Air line gasket			
	det.3836		1	1
30	Screw M4x10		28	28
31	Screw 3,5x13		2	2
32	Clamp Norma SP 192-20mm or Clamp Mikalor super 188-200		2	2
33	Screw M3x8 DIN 7985		3	3
34	Screw 3x6 DIN 7516-A		6	6
35	Washer 3 DIN 125		3	3
36	Lock washer 4		6	6

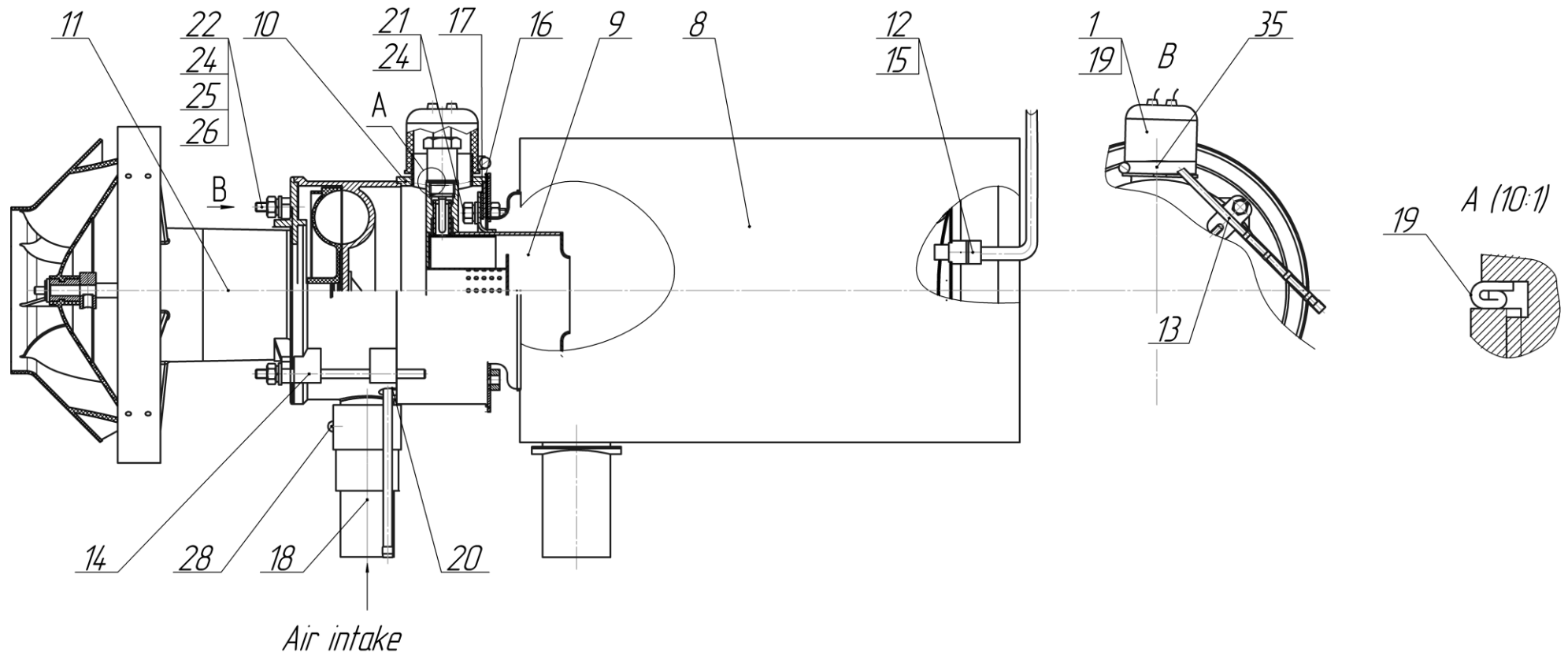


Figure 3- Heater unit structure

Table 3

No	Part/assembly description and designation	Notes	assy 3677	assy 3912	assy 5315	assy 5342
	Heating unit number		1	2	3	4
1	*Glow plug					
	assy 3900		1	1	1	1
8	*Heat exchanger					
	assy 3684		1	1		
	assy 5316				1	1
9	*Combustion chamber					
	assy 1606		1	1	1	1
10	*Adapter					
	assy 1607		1	1		
	det. 5705				1	1
11	*Air pump					
	assy 3686	24V	1		1	
	assy 3919	12V		1		1
12	*Flame detector					
	assy 3687		1	1	1	1
13	*Intake sensor					
	assy 3068		1	1	1	1
14	*Scroll housing					
	assy 442		1	1	1	1
15	*Sealing washer					
	det. 1105		1	1	1	1
16	*Gasket					
	det.1648		1	1		
	det. 5704				1	1
17	*Combustion chamber gasket					
	det.1650		1	1		
	det. 5703				1	1
18	*Air duct					
	det.3837		1	1	1	1
19	*Glow plug washer					
	det.198		1	1	1	1
20	*Sealing					
	det.77		1	1	1	1
21	*Screw M5x16 DIN 7500C		7	7	7	7
22	Nut M5		4	4	4	4
24	*Washer 5		11	11	11	11
25	Screw M5x80 DIN 912		4	4	4	4
26	*Lock washer 5		4	4	4	4
28	Screw 3,9x13 DIN 7981		1	1	1	1
35	*Clamp Mikalor 32x50		1	1	1	1