

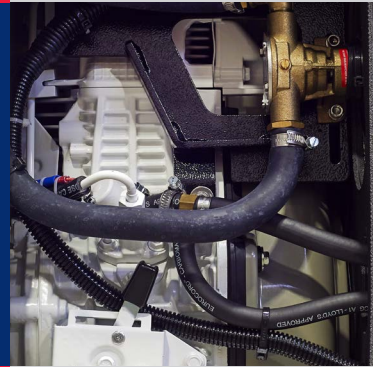
IS 4.05i



Control panel



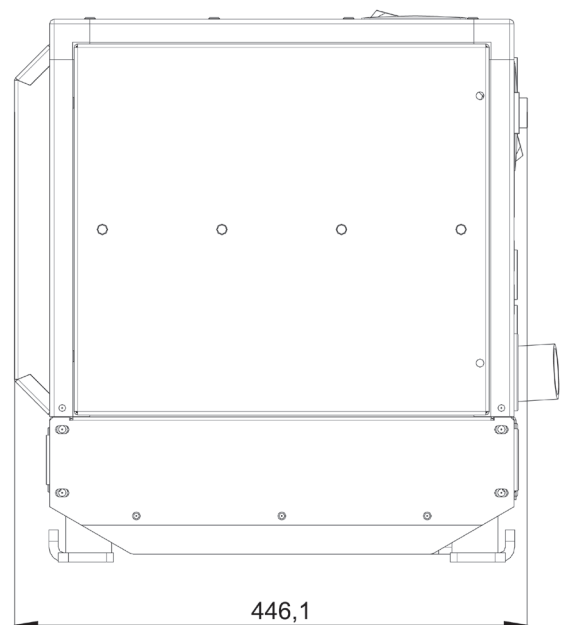
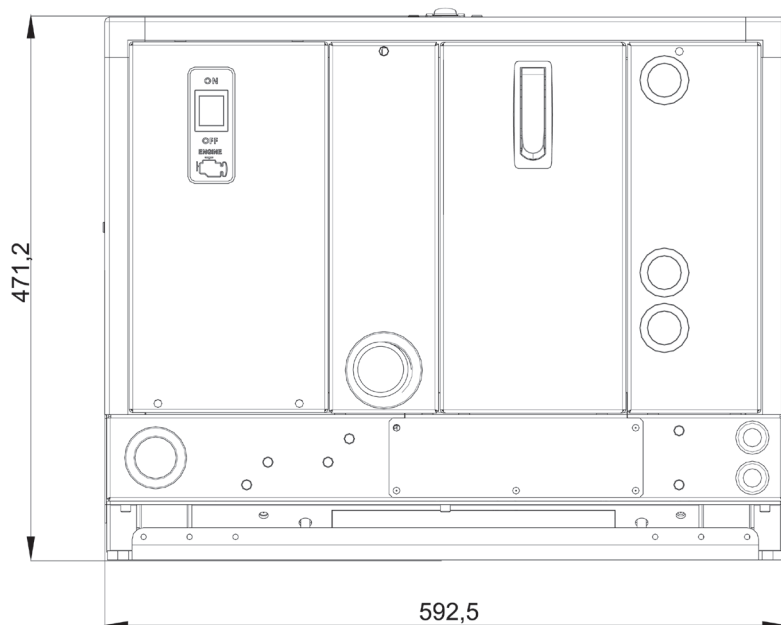
3000 rpm Yanmar engine



PMG Alternator



Unit of measure: mm



We reserve the right to change data, images and drawings without notice.
For more information, you may contact your local dealer or Mase Generators S.p.A.

Mase Generators spa
Via Tortona, 345 - 47522 - Cesena (FC) - Tel. +39 0547 354311
www.masegenerators.com - commercial@masegenerators.com

mase
GENERATORS
Believing in change.



Output power 3,5 kW single-phase

Description

- Marine power generator
- With inverter
- Diesel engine 3000 rpm
- Silenced version

AC generator - 50Hz

- Type: Permanent magnet (PMG)
- Cooling: Air/water (Intercooler W/A)
- Continuous power: 3,5 kW
- Voltage (V): 230 - 240
- Amps: 13,9 - 13,3
- Power factor: $\cos \phi$ 1
- Voltage stability: $\pm 1\%$
- Frequency stability: $\pm 1\%$
- Battery charging output (A-V): 10 - 12
- Units of the same model can operate in parallel

Diesel Engine 3000 rpm

- Type: Yanmar L70W - 1 cyl. - 6,1 hp (4,5 kWm) 320 cm³
- Starting system: electric (12Vdc)
- Fuel consumption @ 100%: 1,3 lt/h
- Easy access in case of maintenance of feeding system, lubrication system, sea/water pump and air filter
- Double vibration dumping system
- Oil filter and fuel filter easy to replace
- Oil drain pump provided
- Safety stop in case of low oil pressure
- Safety stop in case high engine temperature or exhaust gas temperature

Standard Features

- Controller with digital display for full monitoring of generator parameters: manual start, Vac voltage, frequency Hz, engine rpm, hourmeter, genset battery voltage, engine oil pressure, low oil pressure alarm, engine temperature, engine pre-heating, high engine temperature warning and shutdown alarm, high alternator temperature warning and shutdown alarm, alarms history, maintenance warning + 10 mt connection cable
- Emergency stop button
- Thermal protection

Accessories on request

- Siphon break
- Filter kit
- Exhaust kit
- Separator and exhaust advice
- Insulated two poles kit

Noise level

- 54 dBA @ 7mt

Other features

- Insulation Class: H
- Ambient temperature: 40 °C (*)
- Altitude: 1000 mt (*)
- Mechanical Protection: IP 23
- Dimensions (L x W x H): 592,5 x 446,1 x 471,2 mm
- Dry weight: 96 kg
- Max. inclination: 30°
- Water pump flow: 20 lt/min
- Cooling system: intercooler system heat exchanger (sea water/air) that provides the optimal temperature for the best performance and reliability of the gensets despite the on board allocation and the roomtemperature
- Soundproof cabin made of extremely light marine aluminum with very high resistance to external agents

(*) - For altitude and temperature values other than those listed above, please consult the manufacturer to verify the available power.