

i4/i4P

Most Popular Size
Marine Satellite TV Antenna System

HDTV
COMPATIBLE



Popular size with higher performance

45cm reflector diameter with nationwide coverage for North America, Europe and the regional service around the globe.

Faster signal acquisition

Intellian's exclusive Wide Range Search (WRS) algorithm allows the antenna to search, find and lock on to a signal with incredible speed and accuracy.

Simple & Easy installation

With a single cable to connect the antenna and the ACU, Intellian i4/i4P systems are quick and easy to install. Our advanced ACU is designed to require minimum setup so you can begin to enjoy TV programs aboard your boat in no time.

User-friendly operation

Antenna Control Unit (ACU), which is supplied as a default package, gives you the user-friendly operation for various function.

Wireless connectivity & Aptus mobile

The built-in Wi-Fi enables the ACU to be wirelessly connected. PCs, laptops and smartphones can be used to connect to the ACU and monitor, control and change the settings of the system wirelessly. Intellian Aptus mobile is available for download to access to the ACU via Wi-Fi and operate the antenna from their iPhone, iPad or other network devices. iPhone and iPad are registered trademarks of Apple Inc.

Tune in your favorite HDTV channels

Intellian's i4/i4P provides HD channels from the Ku- band. The HD module is built-in to the Antenna Control Unit of the Intellian i4/i4P for seamless integration and easy installation.

Built-in GPS

The Intellian i4/i4P includes a built-in GPS for easier operation and faster signal acquisition. It allows the i4/i4P to have higher accuracy and easy operation wherever the vessel sails.

i4/i4P Most Popular Size Marine Satellite TV Antenna System

Technical Specifications

Physical	
Radome Height	54cm / 21.2"
Radome Diameter	50cm / 19.7"
Reflector Diameter	45cm / 17.7"
Weight	11.6kg / 25.5lbs
Environmental	
Operating Temp. Range	-25°C to +55°C / -13°F to +131°F
Storage Temp. Range	-40°C to +80°C / -40°F to +176°F
Water Ingress	IPX6
Approvals	CE / FCC
Warranty	3 years parts and 2 year labor
Performance	
Reception Frequency	Ku-band (10.7-12.75GHz)
Polarization	RHCP / LHCP, Vertical / Horizontal
Minimum EIRP	48dBW
Azimuth Range	680°
Elevation Range	0° to +90°
Ship's Motion	Roll ±25°, Pitch ±15°
Roll & Pitch Response Rate	50° / sec
Turning Rate	50° / sec
RF Output	Dual / Quad Output
Antenna Control Unit	
Dimensions (WxDxH)	17.8cm x 21.7cm x 5.4cm / 7" x 8.5" x 2.1"
Weight	1.2kg / 2.6lbs
Display	2 line 20 character VFD module
GPS Interface	Built-in (NMEA 0183 GPS)
Power Requirement	9.0-30.0V DC
Power Consumption	Typ. 30W, Max. 50W

Key Features

Fully Automated System

Automatic satellite search and identification.
2-axis step motors to stabilize the pedestal.

Enhanced Antenna

Highly efficient parabolic antenna enables 49dBW of minimum EIRP.
RHCP / LHCP, Vertical / Horizontal polarization

Wide Range Search (WRS) Algorithm

Competitor methods search for the narrow-bandwidth of the main lobe. However Intellian's exclusive WRS searches for the wide range of side lobes and jumps up to the main lobe, providing faster satellite acquisition.

Dynamic Beam Tilting (DBT) Technology

A high-speed sub-reflector rotates off axis, checking signal strength at 50 times per second and compensating the tracking direction. Less movement of the main-reflector means less noise and extends the product life.

DVB-S2 Signal Identification

High speed identification employing DVB-S2 Decoder.

New Type Antenna Control Unit

- Intuitive controls with a digital information display on the ACU
- Wireless automated updates and diagnostics via Aptus PC and Aptus Mobile

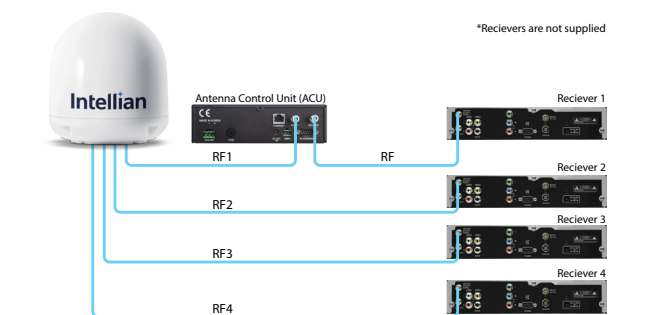
Built-in GPS and NMEA 0183 Interface Port

The i4/i4P includes a built-in GPS inside of the Antenna Unit for faster signal acquisition. The ship's GPS can also be connected through the NMEA 0183 port on the rear panel of the ACU.

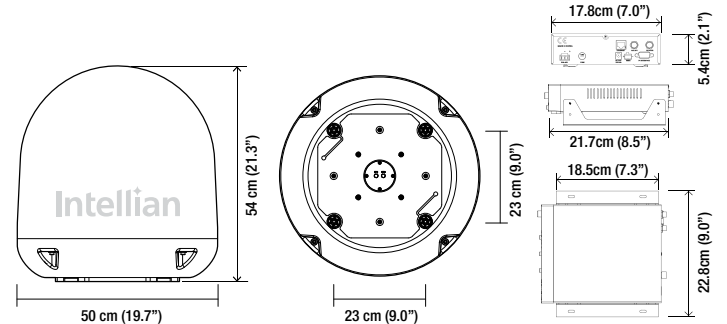
Automatic Polarization (Skew-angle) Control *i4P Only

Automatic Skew Angle Control System (-90° ~ +90°) for Linear Horizontal/ Vertical Polarization.

System Diagram



System Dimension



Global HQ
 Innovation Center
 Intellian Technologies, Inc.
 T +82 31 379 1000
 F +82 31 377 6185

APAC
 Seoul
 Intellian Technologies, Inc.
 T +82 2 511 2244
 F +82 2 511 2235

Americas
 Irvine
 Intellian Technologies USA, Inc.
 T +1 949 727 4498
 F +1 949 271 4183
 Toll Free +1 888-201-9223

EMEA
 Rotterdam
 Intellian B.V.
 T +31 1 0820 8655
 F +31 1 0820 8656