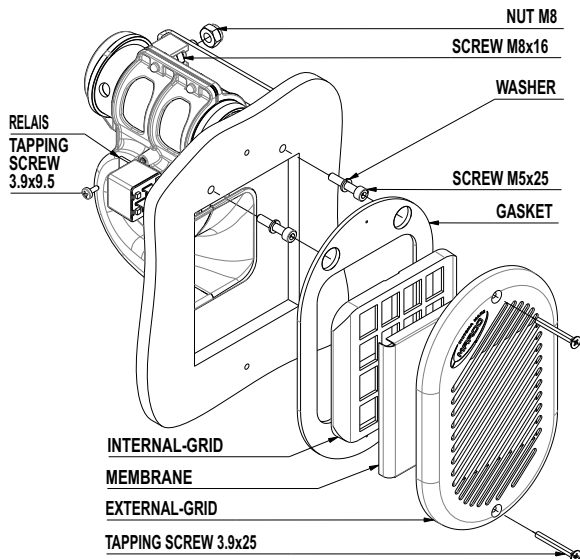


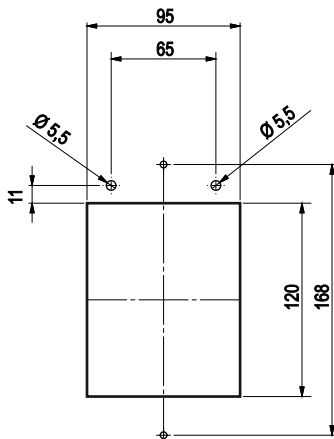
# HR1 HR1/C

TYPE	CODE	V	A	Hz	dB (A) (1m)
HR1	134 080 12	12	20	310	120
	134 080 13	24	11		
HR1/C	134 081 12	12	20		
	134 081 13	24	11		

## MOUNTING SEQUENCE



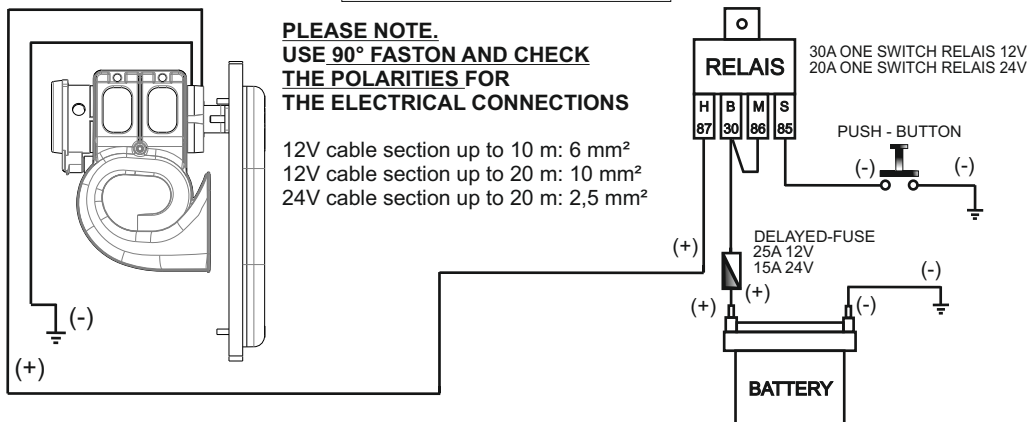
## MOUNTING HOLE



## WIRING DIAGRAM

**PLEASE NOTE.**  
**USE 90° FASTON AND CHECK**  
**THE POLARITIES FOR**  
**THE ELECTRICAL CONNECTIONS**

12V cable section up to 10 m: 6 mm<sup>2</sup>  
12V cable section up to 20 m: 10 mm<sup>2</sup>  
24V cable section up to 20 m: 2,5 mm<sup>2</sup>



**WARRANTY: under MARCO SPA current terms**