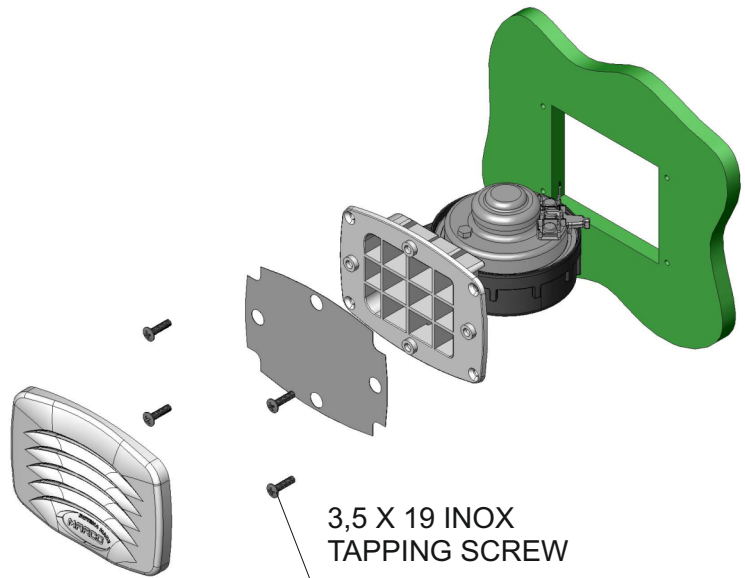
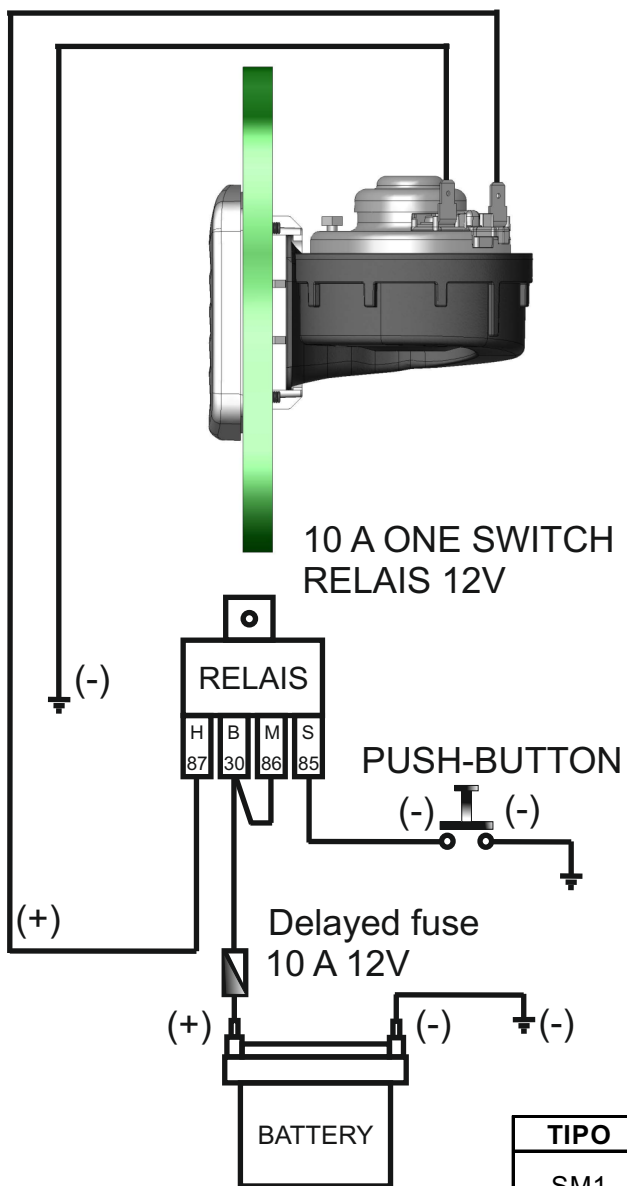


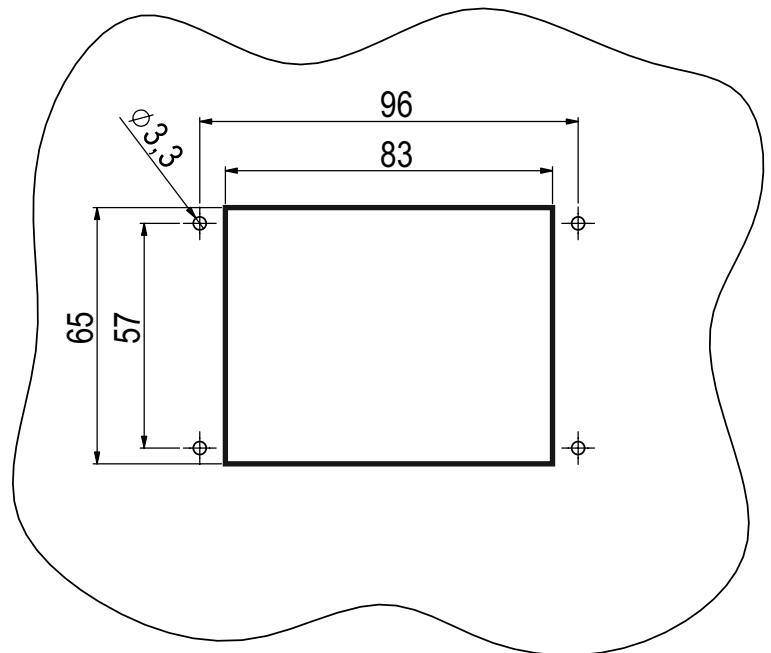
MOUNTING SEQUENCE

SM1

WIRING DIAGRAM



MOUNTING HOLE



TIPO	CODICE	V	A	Hz	dB (A) (1m)
SM1	132 101 22	12	5	400	108

12V section up to 4 m: 1,5 mm²
 12V section up to 8 m: 2,5 mm²

WARRANTY: under MARCO SPA current terms