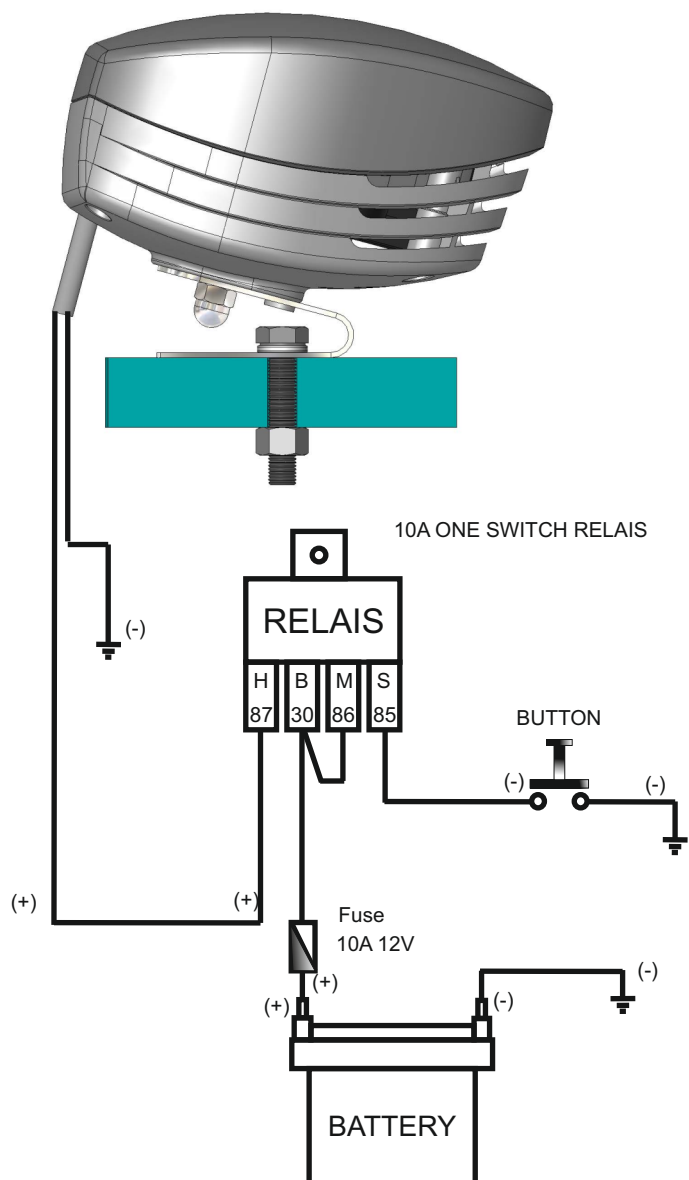
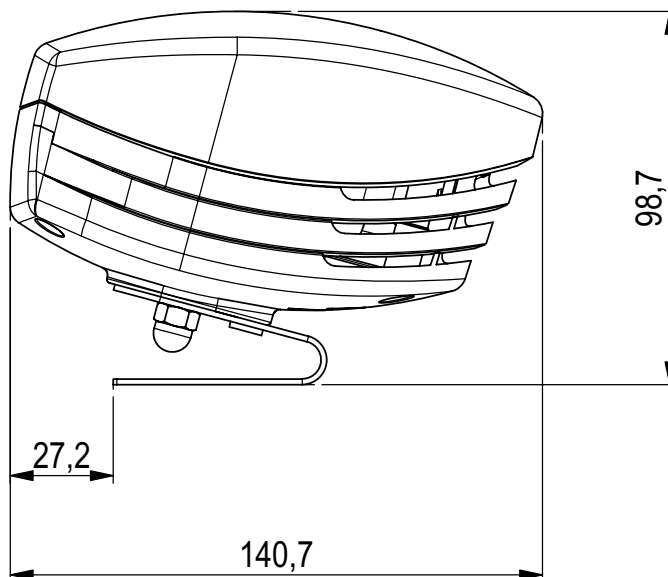
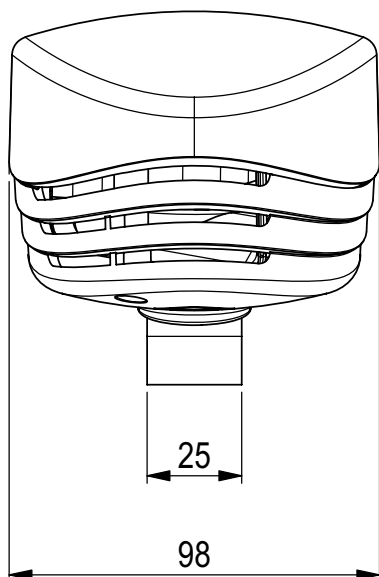


WIRING DIAGRAM



12V cable section up to 10m : 1.5 mm²

12V cable section up to 20m : 2.5 mm²

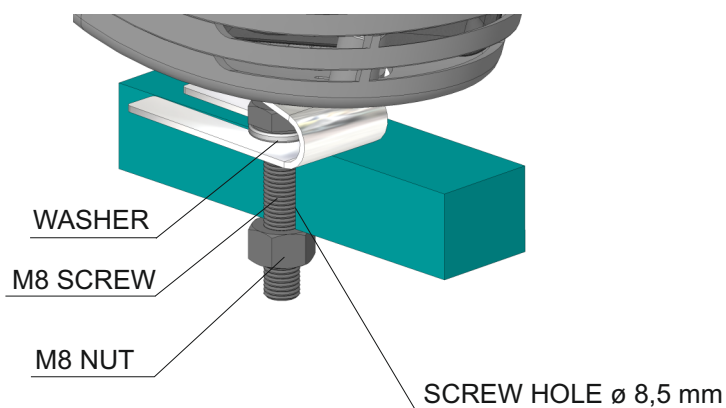


INSTALLATION

Connect the terminals of the horn with the battery as shown into the wiring diagram.

Steps to fix the horn on the boat:

- 1) Drill a hole of $\varnothing 8.5$ mm in the supporting surface of the horn
- 2) Slightly fasten a M8 hexagonal-head screw on the surface together with an appropriate washer .
- 3) Insert the bracket to the M8 screw through the slot and tight them up using a hexagonal wrench.



Please note:
all the fixing parts must be in stainless steel