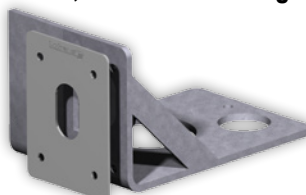


DORADO - Horizontal Windlass

500W / 800W



Stern windlass support, SS316, with roller & flange



Code...72204

Main features

- Marine aluminium anodised body
- Manual chain release
- Rope chain management by the spring load arm
- Heavy duty rated IP66 electric motor
- Automatic free fall available as option

Compatible Gypsies



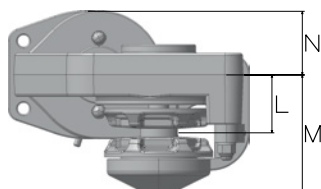
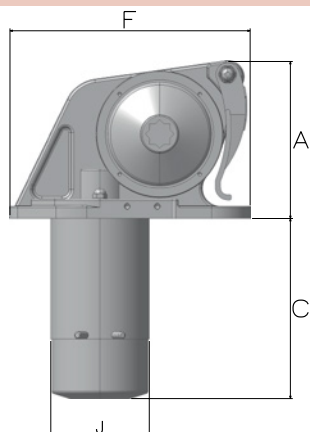
Code	Gypsy Size
630974	6 mm, ISO 4565 / DIN 766
630984	7mm, ISO 4565
631003	8 mm, ISO 4565 / DIN 766

Construction	Anodised Aluminium	
	500 W	800 W
Motor size	500 W	800 W
Power Supply (V)	12	12
Maximum Pull (kg)	630	900
Working load (kg)	95	125
Amps at Working Load (A)	65	80
Line Speed at Working Load (m/min)	18	20
Max Line Speed (m/min)	24	25
Net Weight Low Profile (kg)	10	11
Circuit Breaker (available separately)	187331	187332
Control Box	Included in package	

DORADO			Type	Code	Code
Low Profile	6 mm, ISO 4565	10-12 mm, 3-strand	Port	409568	600048
	8 mm, ISO 4565 / DIN 766	12 mm, 3-strand	Port	*	409569

*Non-standard configuration optional gypsies can be supplied separately.
Please refer to compatible gypsies table

Dimensions in mm



Model	A	C	F	J	L	M	N
500W	130	152	200	Ø80	48	98	53
800W	130	164	200	Ø80	48	98	53

Optional Accessories

- Foot Switch
- Control Switch
- Circuit Breaker
- Chain Counter
- Hand Held Control
- Radio Control



Maintenance Kit for DORADO

Code....72047