

16

15

14

13

12

11

10

9

8

7

6

5

4

3

2

1

M

M

L

L

K

K

J

J

H

H

G

G

F

F

E

E

D

D

C

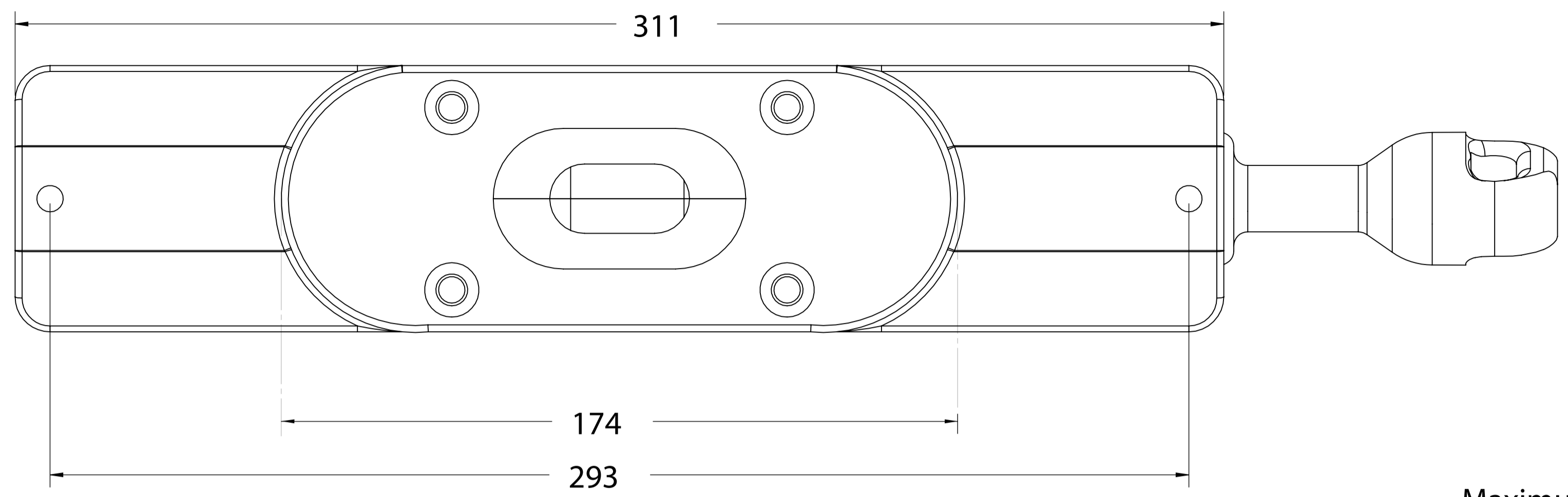
C

B

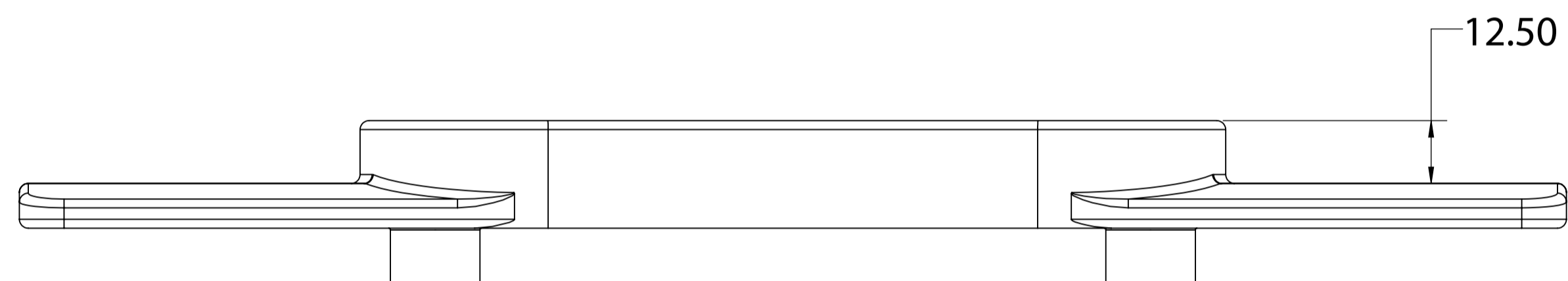
B

A

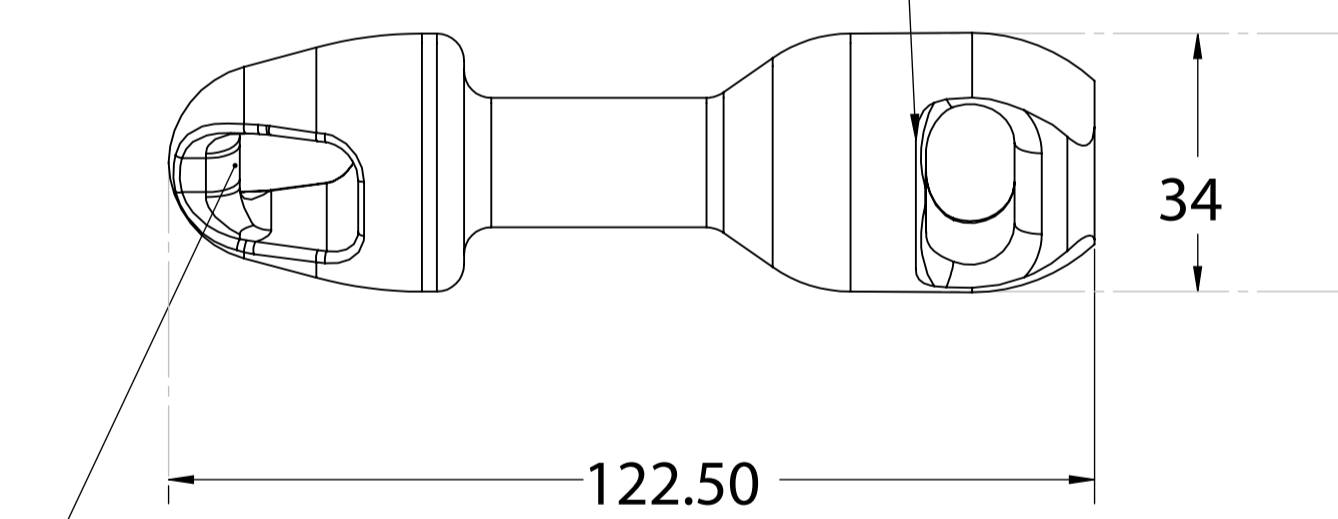
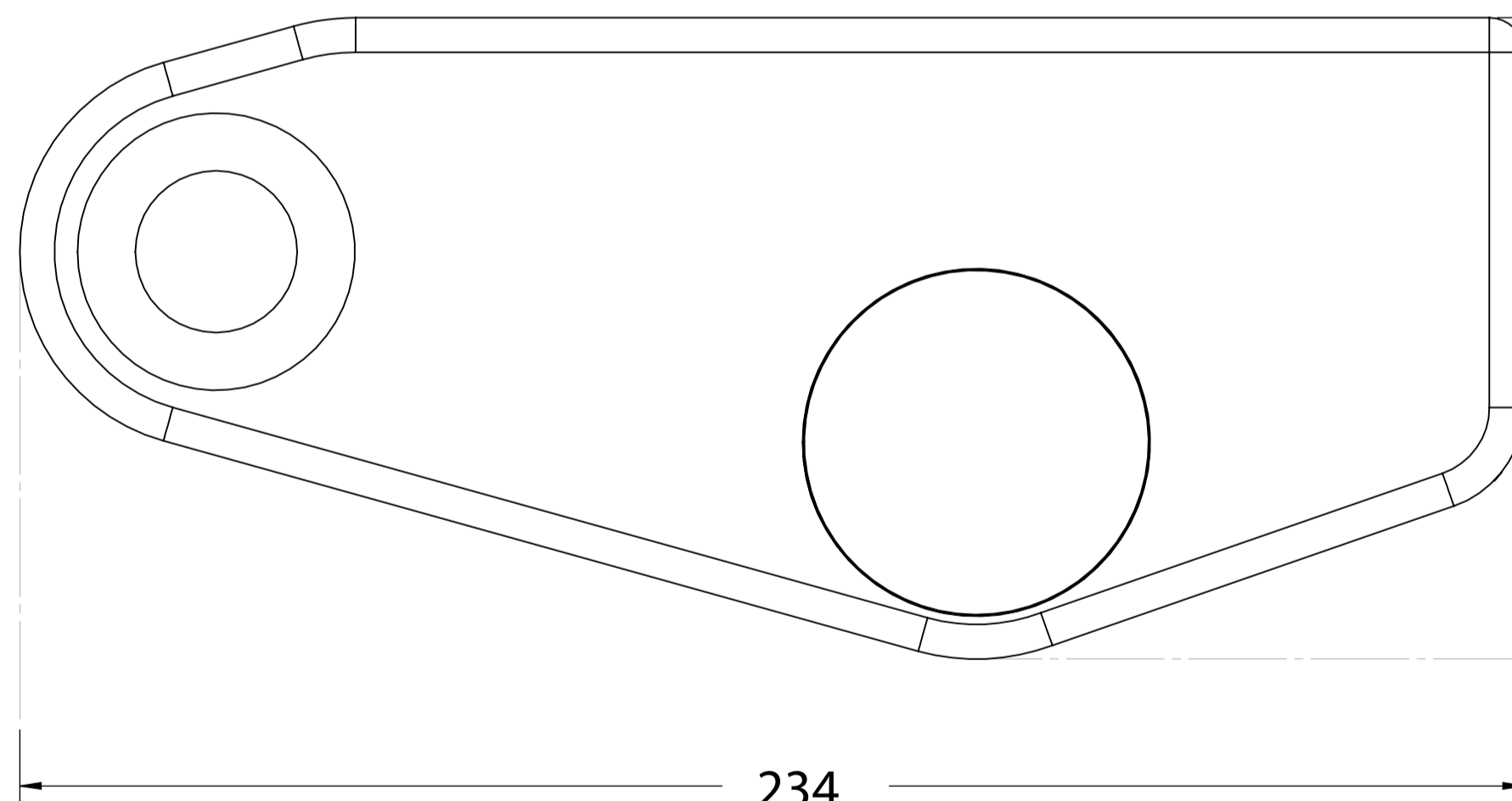
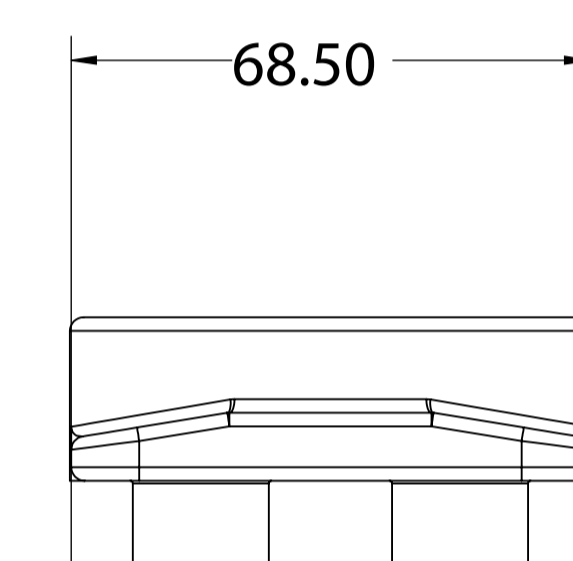
A



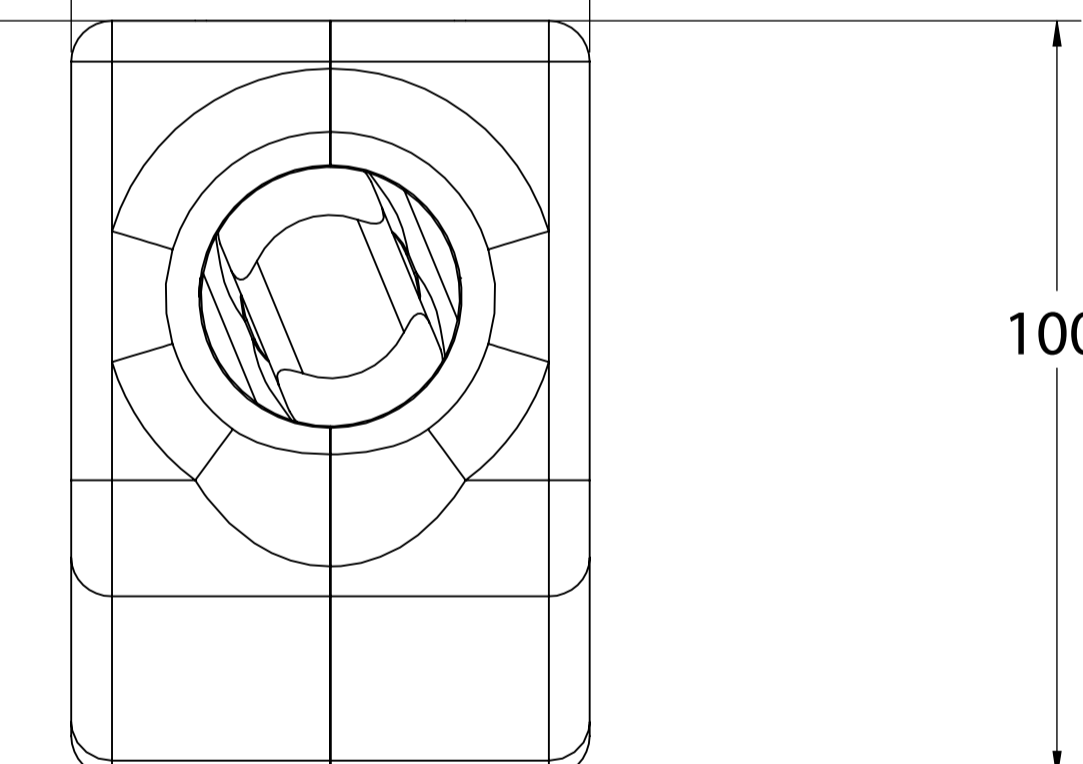
Mast Plate Weight = 746 g



Maximum Strop Dia = 34 mm



Maximum Halyard Dia = 16 mm



Bullet Weight = 234 g

Block Lock Weight = 3390 g

UNLESS OTHERWISE SPECIFIED: DIMENSIONS ARE IN MILLIMETERS SURFACE FINISH: TOLERANCES: LINEAR: ANGULAR:			FINISH:	DEBURR AND BREAK SHARP EDGES	DO NOT SCALE DRAWING	REVISION
DRAWN	NAME	SIGNATURE	DATE			
CHKD						
APPVD						
MFG						
Q.A.						
				MATERIAL:		
				WEIGHT:		
TITLE: 12T MWL Modular Locks					DWG NO: AM12BL, AM12IL	
					SCALE: 1:2	
					SHEET 1 OF 1	