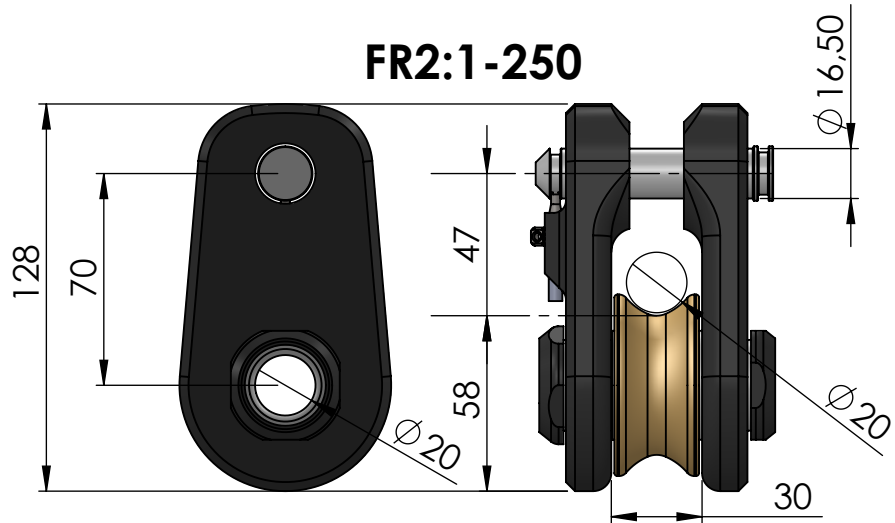
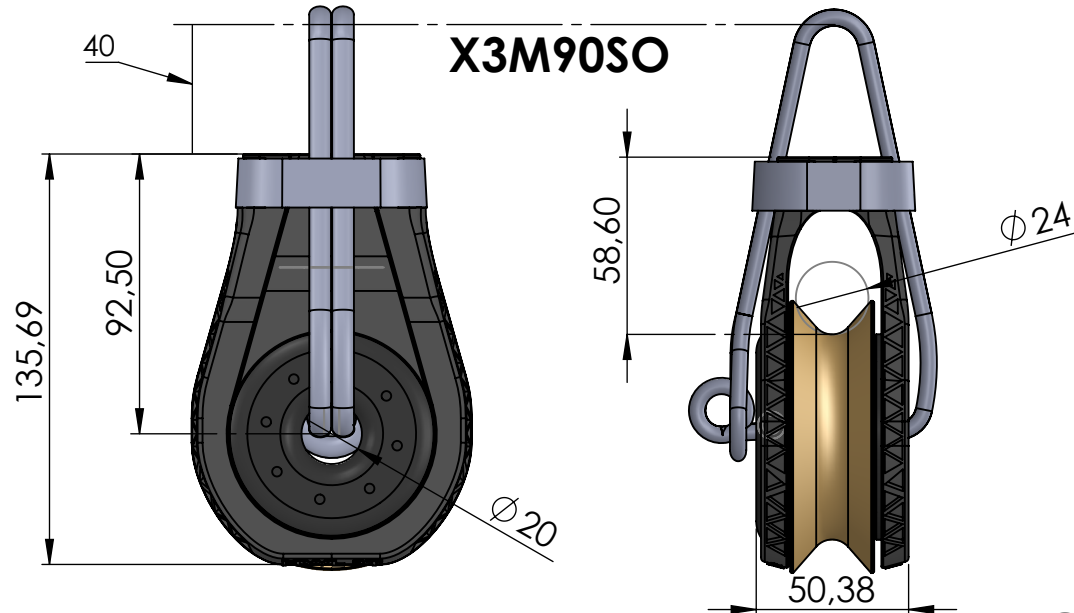


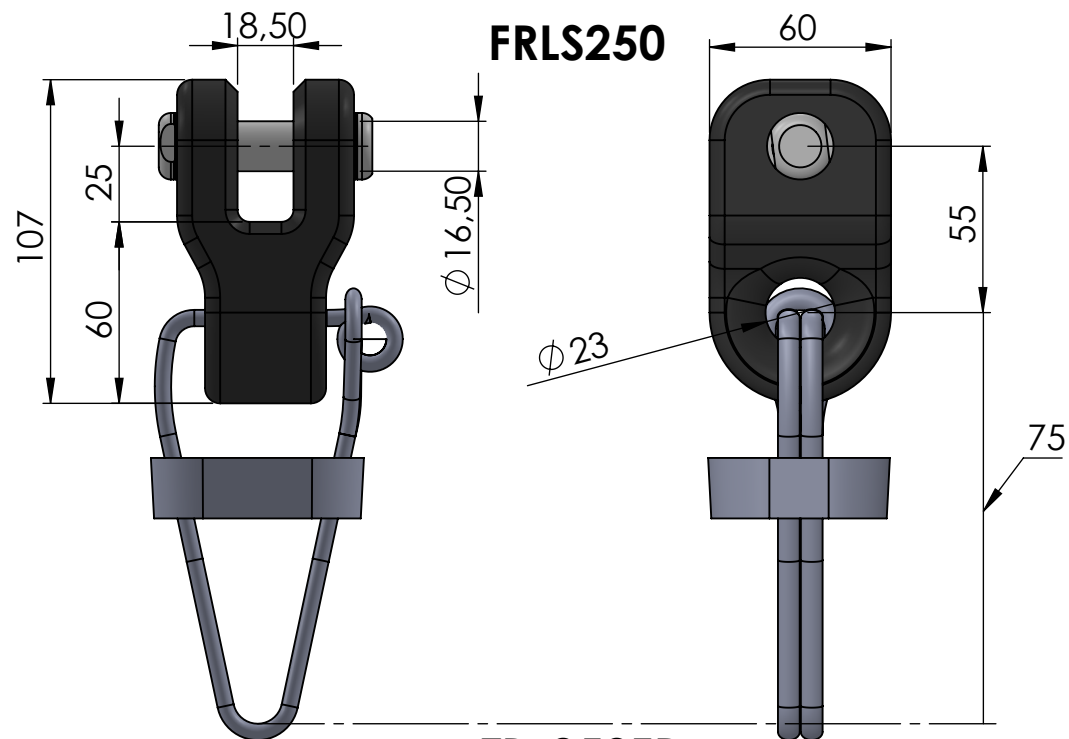
FR2:1-250



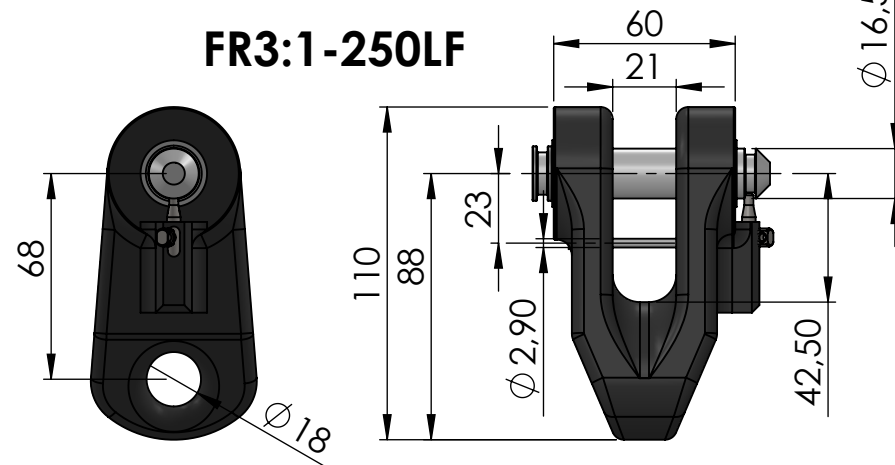
X3M90SO



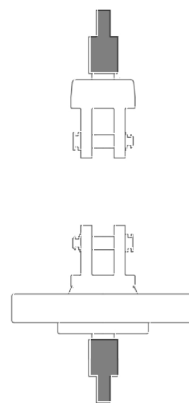
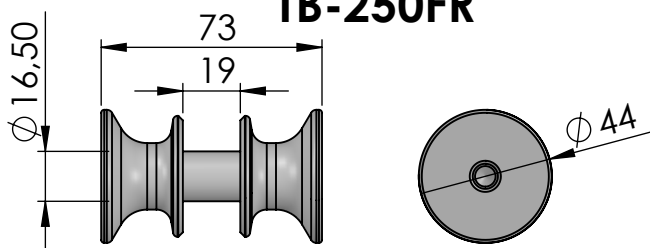
FRLS250



FR3:1-250LF



TB-250FR



Data Sheet	
Model	FR250-ACCESSORIES-out
Line	FR AVVOLGITORI
This document and the design on it is the exclusive property of UBI MAIOR ITALIA and is the subject of copyright Brand by Dini s.r.l., Meccanica di precisione	
UBI MAIOR ITALIA	