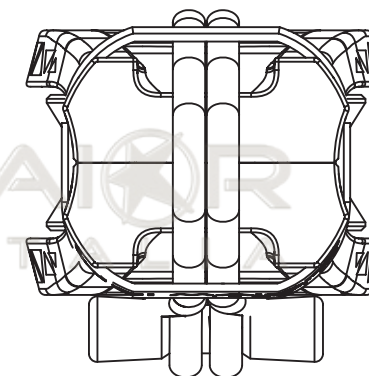
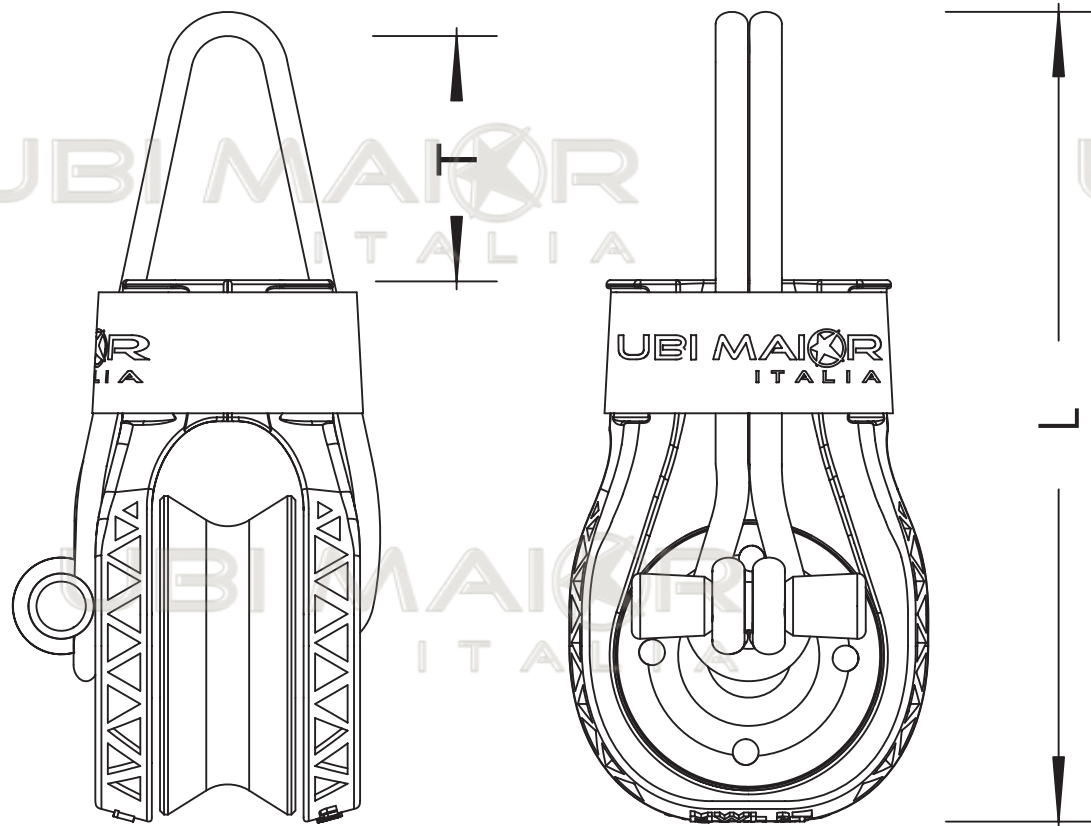


MODELLO ARTICLE	MAX Ø SCOTTA MAX Ø LINE	S= Ø PULEGGIA Ø SHEAVE	T= GOLLA LOOP LOOP THROAT	L= LUNGHEZZA LENGHT	MAX CARICO LAVORO MAX WORKING LOAD	CARICO ROTTURA BREAKING LOADS	PESO WEIGHT
	[mm]	[mm]	[mm]	[mm]	[kg]	[kg]	[gr]
X3M32S/SO	8	32	17	76	1500	3000	55
X3M40S/SO	10	40	20	92	2000	4000	107
X3M46S/SO	12	46	25	100	3000	6000	146
X3M50S/SO	14	50	35	115	4000	8000	162
X3M55S/SO	16	55	40	127	5000	10000	200
X3M70S/SO	20	70	40	150	7000	14000	363
X3M90S/SO	24	90	40	185	9000	18000	670
X3MI110S/SO	28	110	65	243	12000	24000	1100
X3MI120S/SO	28	120	65	252	15000	30000	1250

• X3M=extreme flight • S=singolo/single • SO= singolo apribile/signle swiveling

Model	X3M S/SO 32-120
Line	X3M EXTREME FLIGHT
Table	SPECIFICATION SHEET
Format Size	A4
<small>This document and the design on it is the exclusive property of UBI MAIOR ITALIA® and is the subject of copyright. Brand by Dini s.r.l., Meccanica di Precisione</small>	



LONG LOOP

MODELLO ARTICLE	MAX Ø SCOTTA MAX Ø LINE [mm]	S= Ø PULEGGIA Ø SHEAVE [mm]	T= GOLA LOOP LOOP THROAT [mm]	L= LUNGHEZZA LENGHT [mm]	MAX CARICO LAVORO MAX WORKING LOAD [kg]	CARICO ROTTURA BREAKING LOADS [kg]	PESO WEIGHT [gr]
X3M40S/SOIn	10	40	40	112	2000	4000	107
X3M46S/SOIn	12	46	40	115	3000	6000	146
X3M50S/SOIn	14	50	50	130	4000	8000	162
X3M55S/SOIn	16	55	55	142	5000	10000	200
X3M70S/SOIn	20	70	55	165	7000	14000	363
X3M90S/SOIn	24	90	60	205	9000	18000	670
X3M110S/SOIn	28	110	85	263	12000	24000	1100
X3M120S/SOIn	28	120	85	272	15000	30000	1250

• X3M=extreme flight • S=singolo/single • SO= singolo apribile/signle swiveling • In= loop lungo/long loop

Model	X3M S/SOIn 32-I 20
Line	X3M EXTREME FLIGHT
Table	SPECIFICATION SHEET
Format Size	A4
<small>This document and the design on it is the exclusive property of UBI MAIOR ITALIA® and is the subject of copyright. Brand by Dini s.r.l., Meccanica di Precisione</small>	